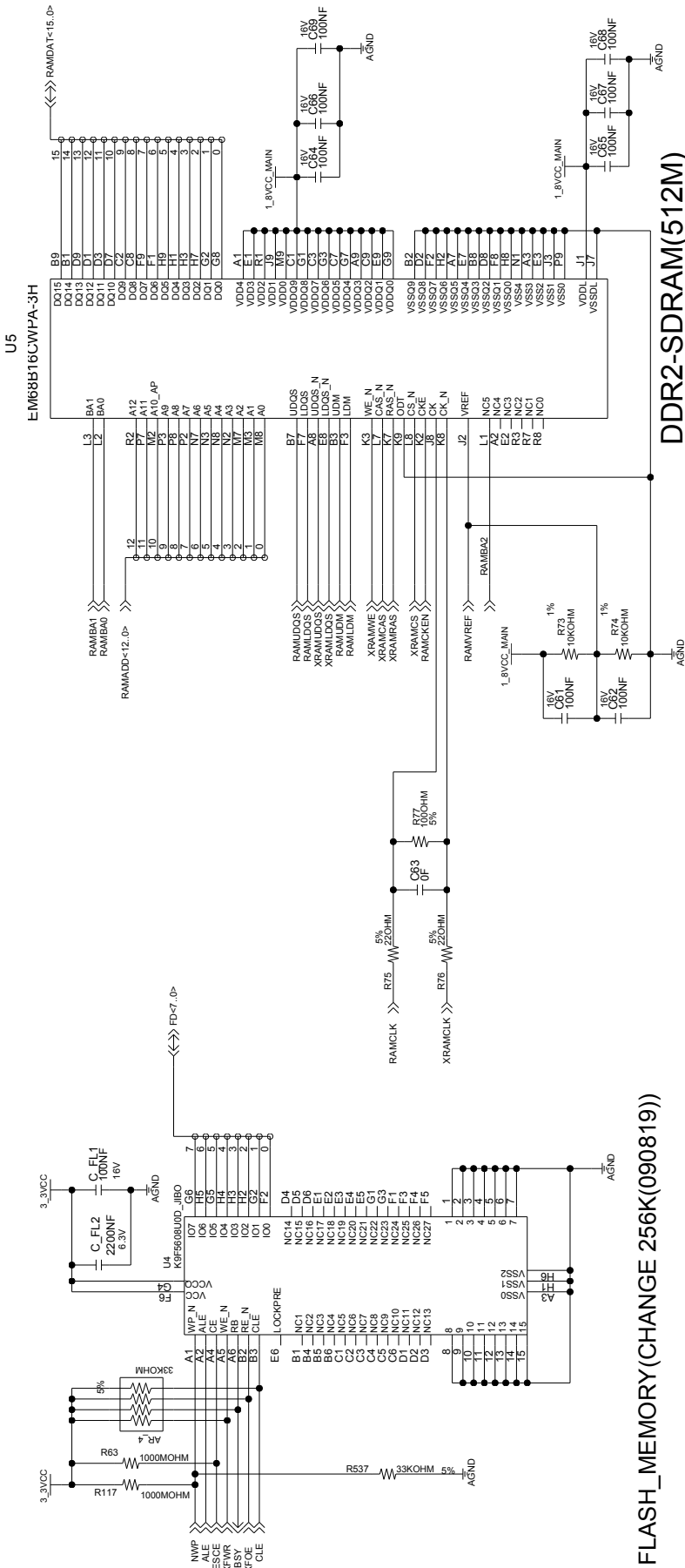
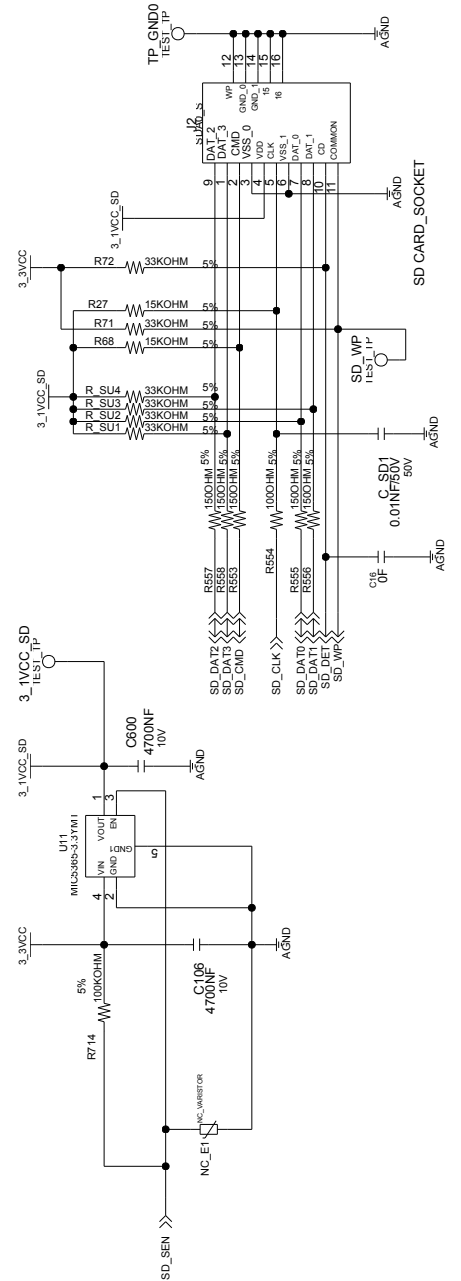


8-2 Main PCB-2

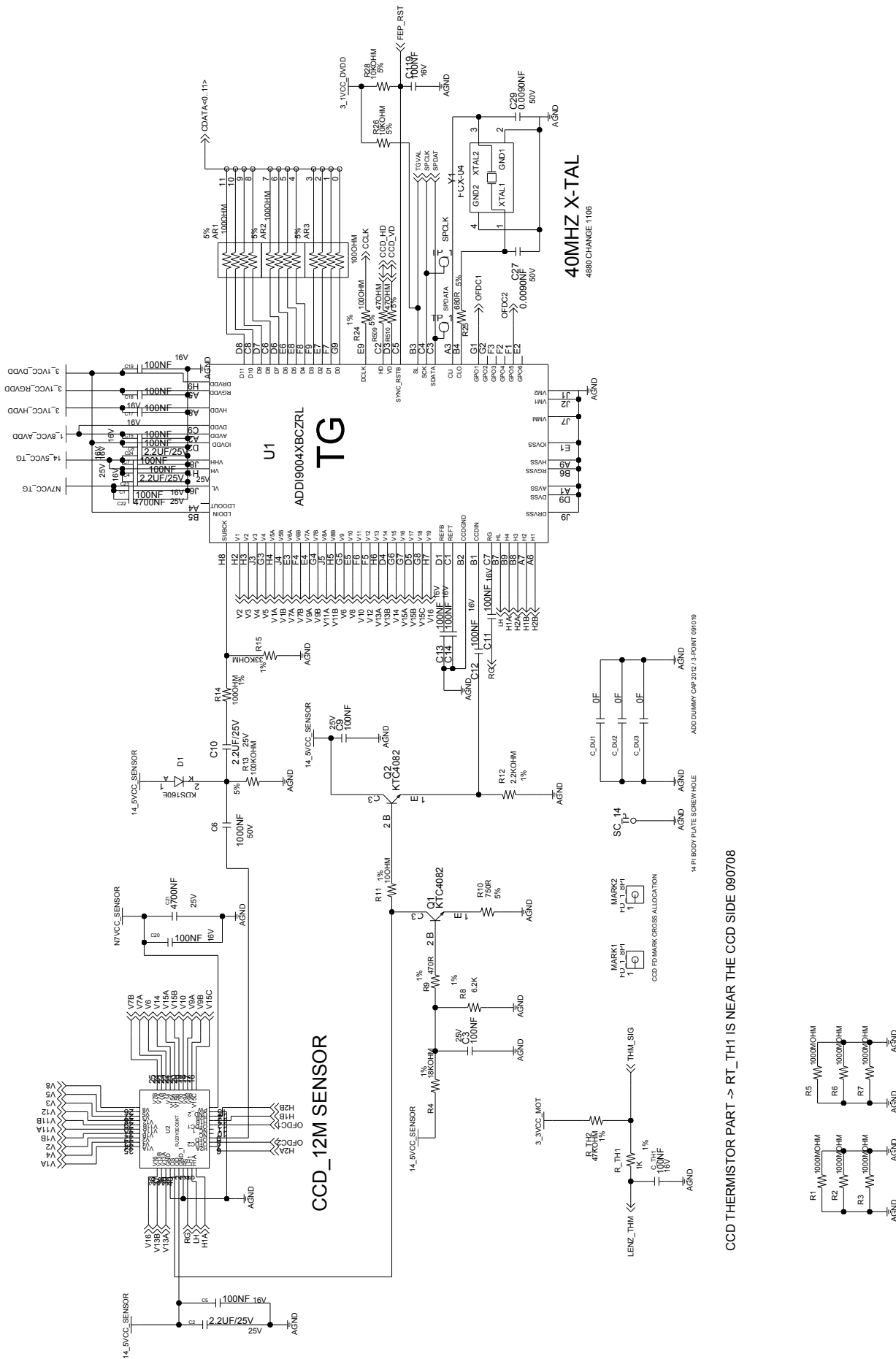


FLASH_MEMORY (CHANGE 256K(090819))



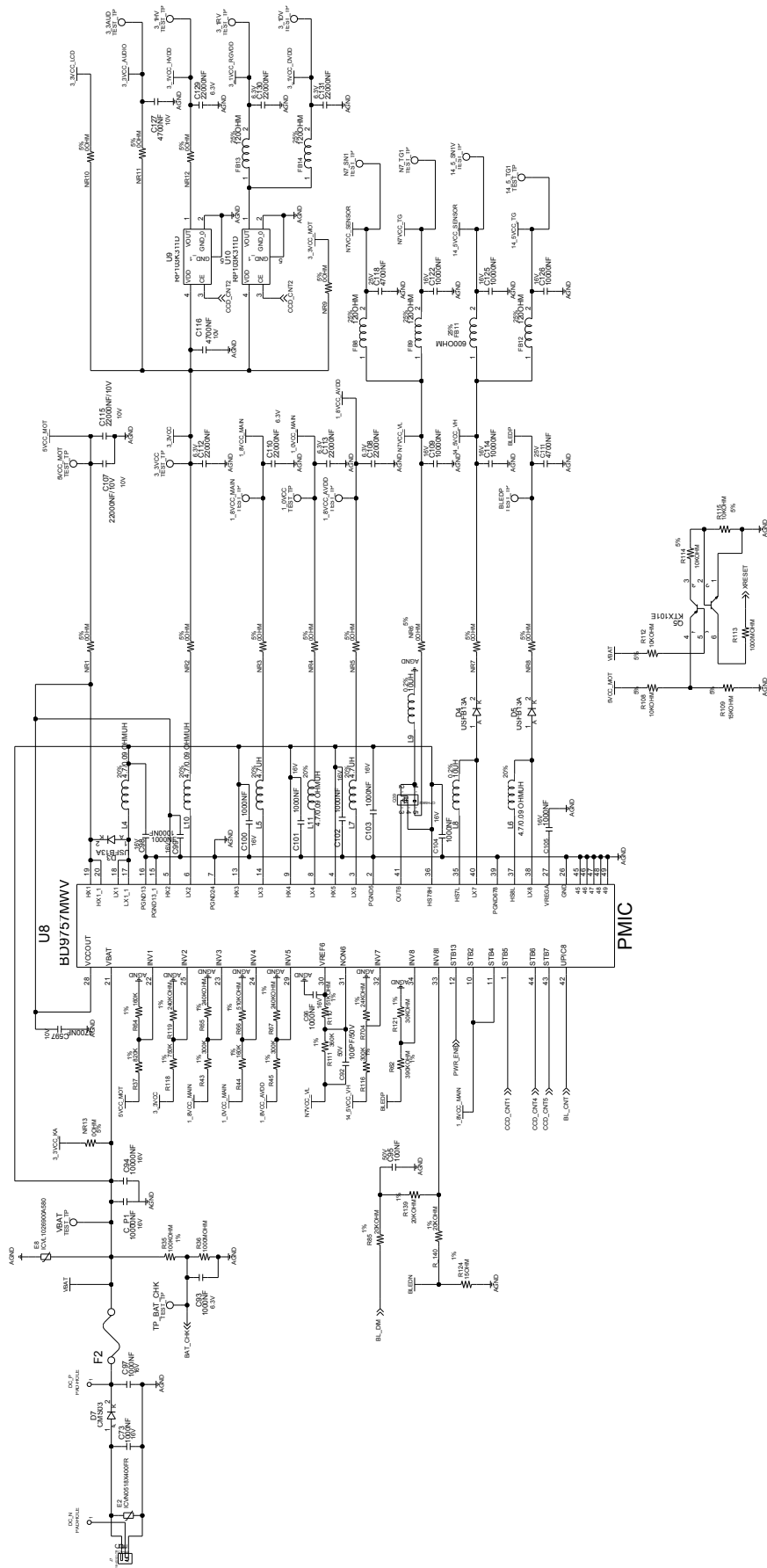
DDR2-SDRAM(512M)

8-3 Main PCB-3

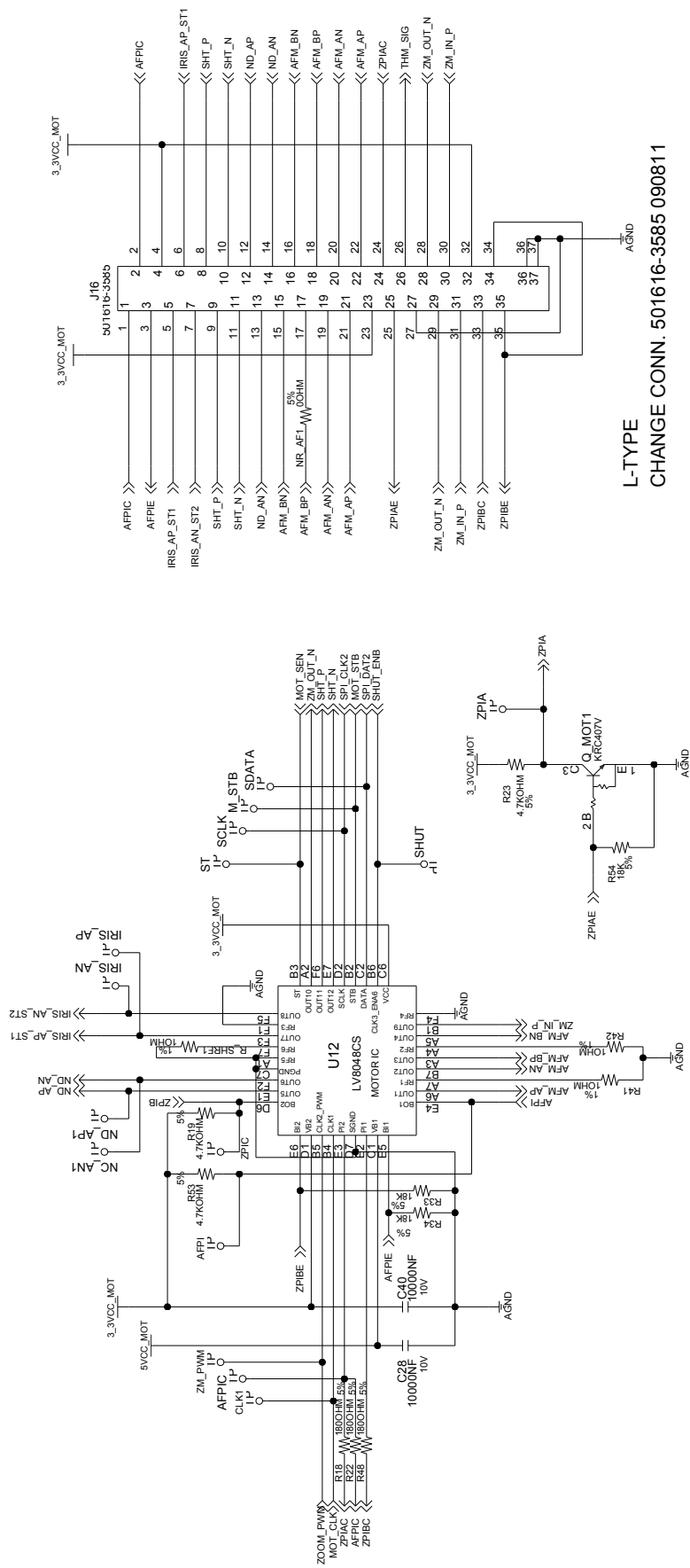


CCD THERMISTOR PART -> RT_TH1 IS NEAR THE CCD SIDE 090708

8-4 Main PCB-4

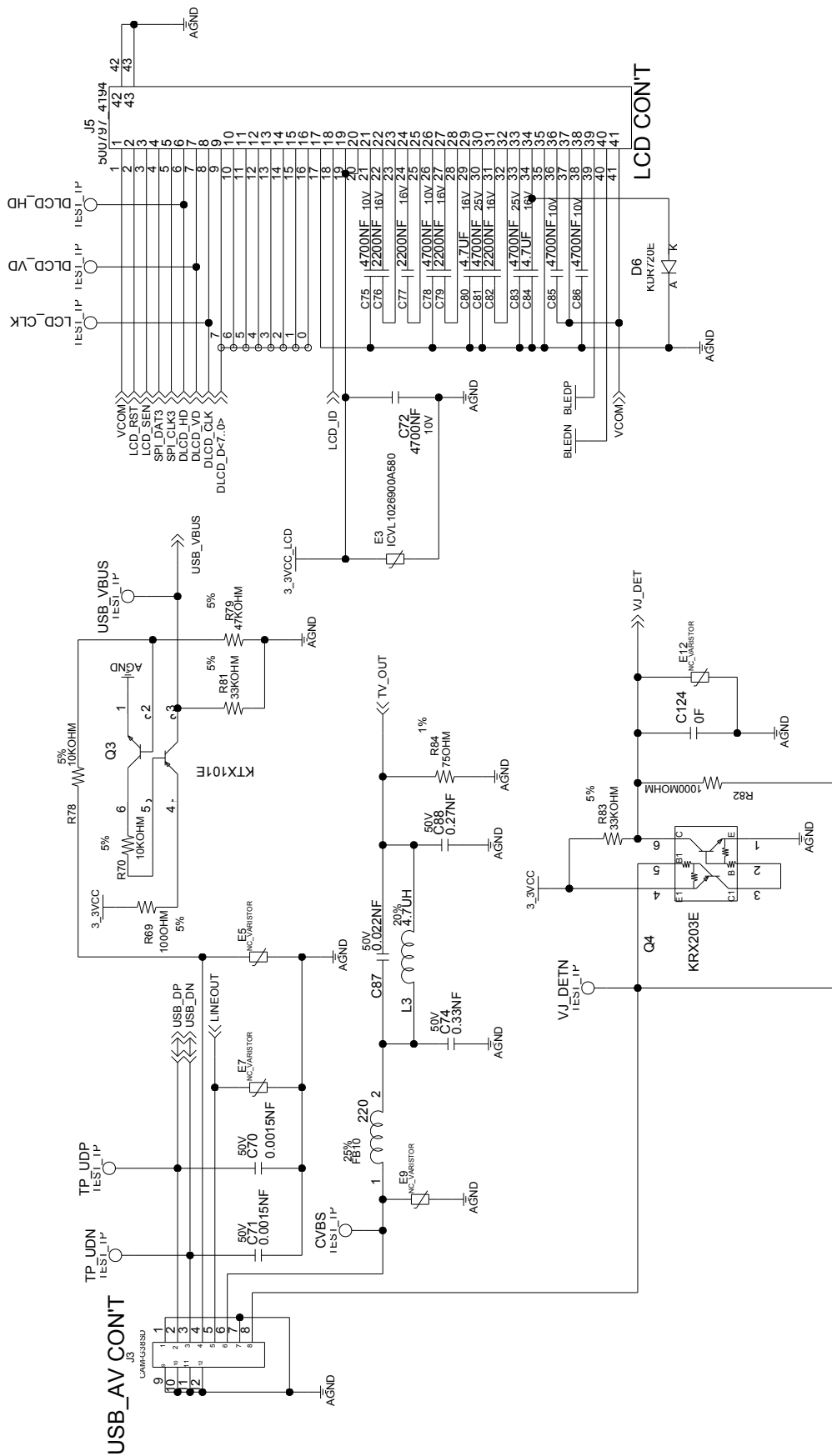


8-5 Main PCB-5

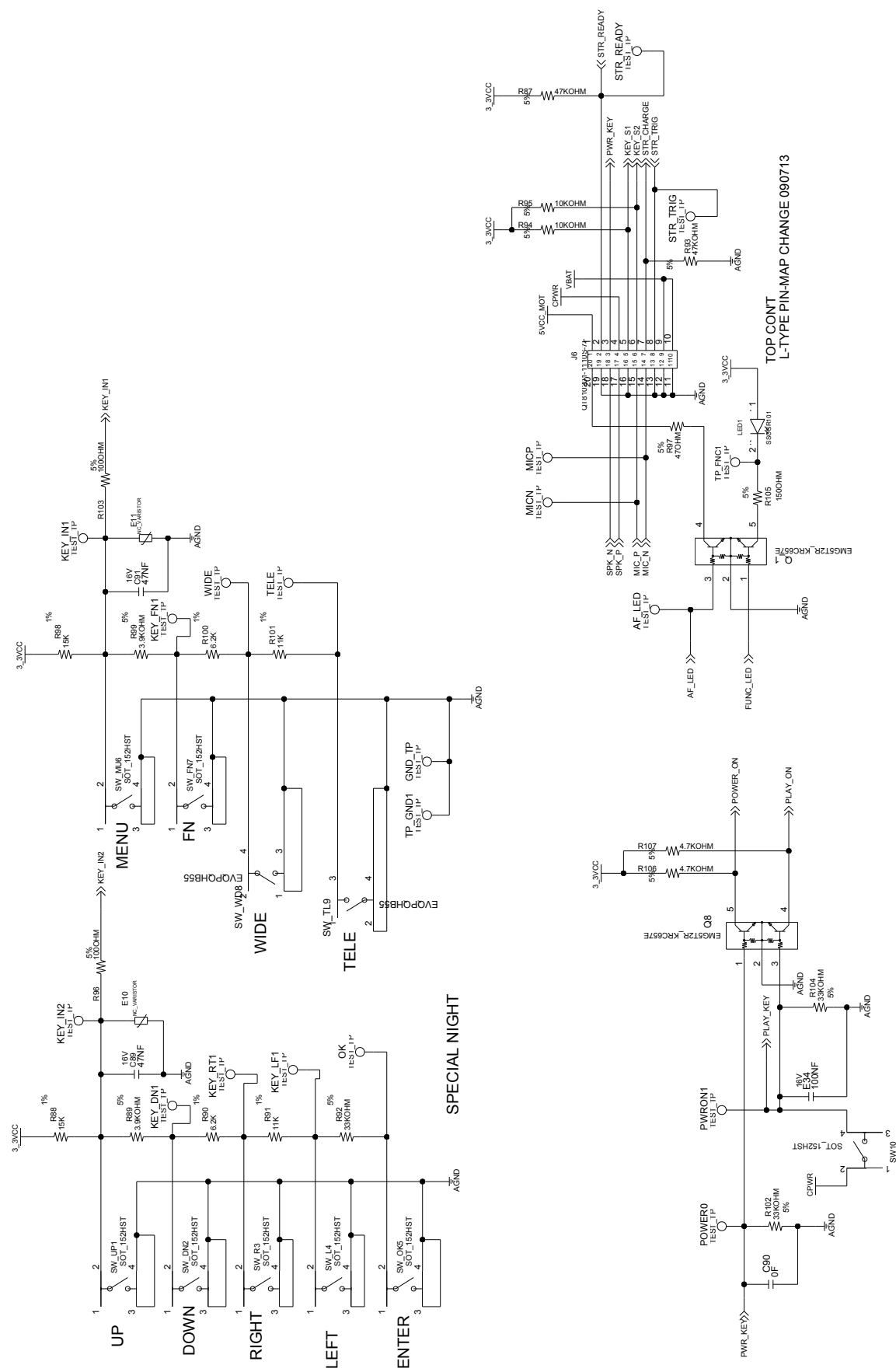


L-TYPE
CHANGE CONN. 501016-3585 090811

8-6 Main PCB-6



8-7 Main PCB-7



8-8 TOP PCB

