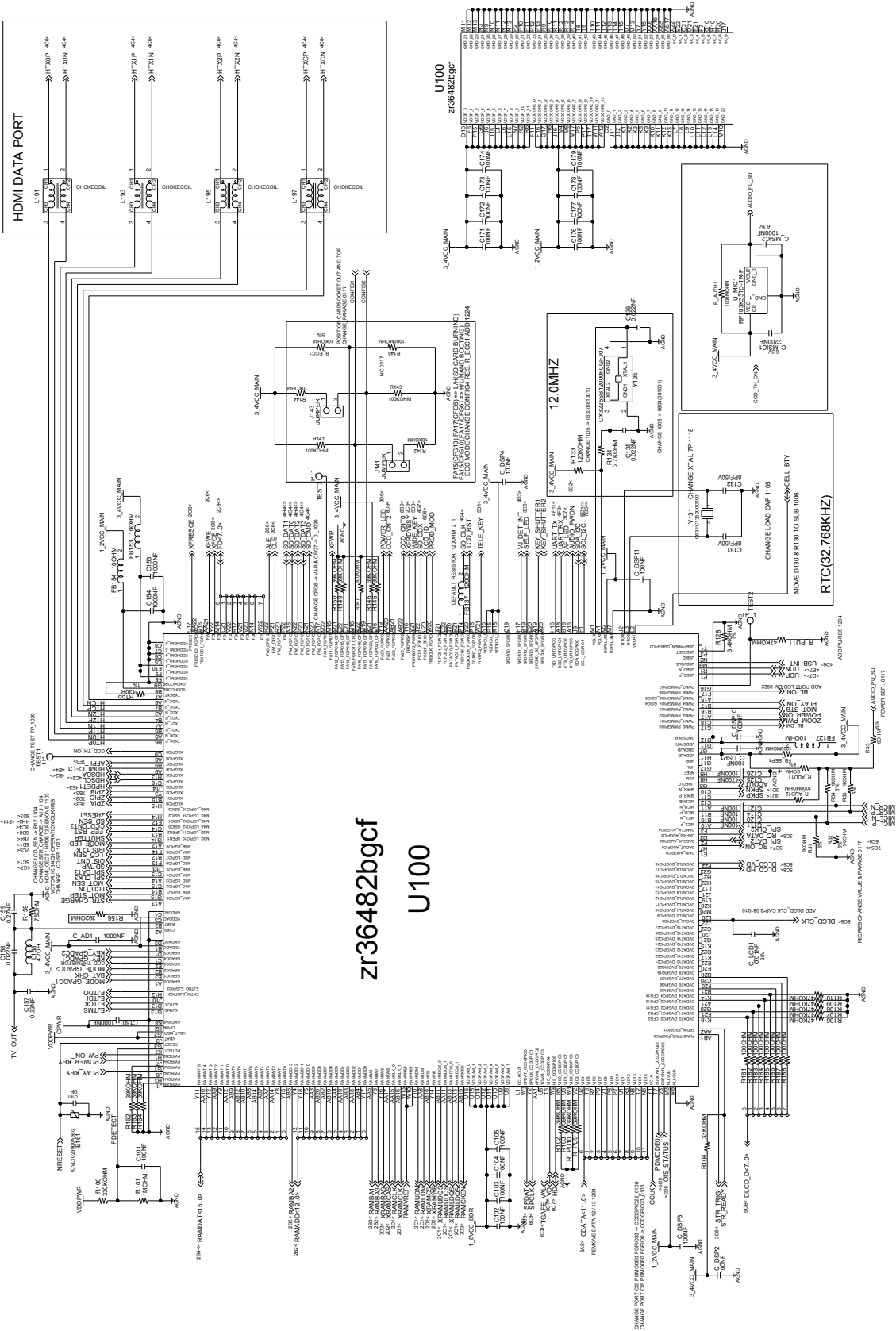
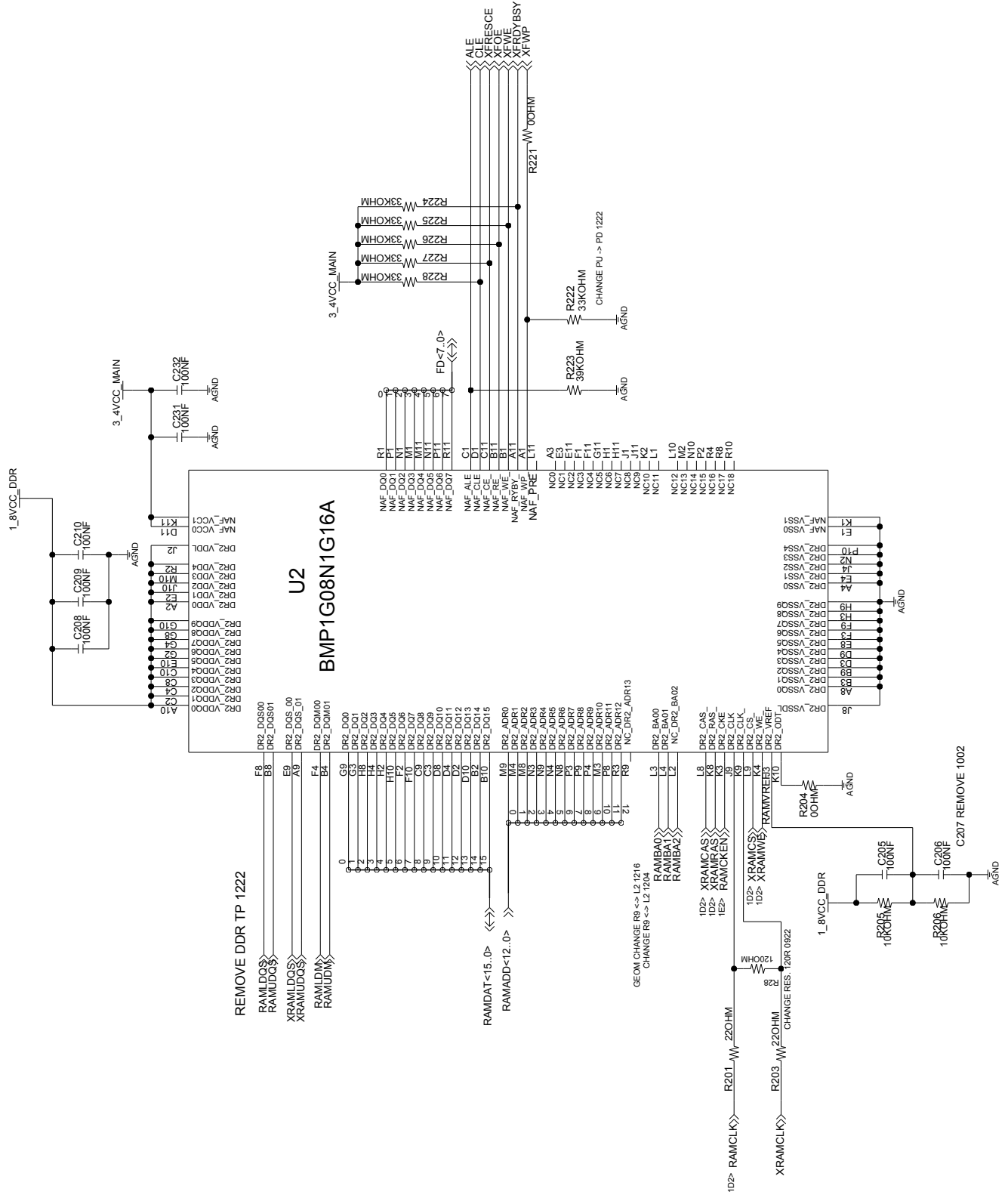


8. Schematic Diagrams

8-1 Main PCB-1

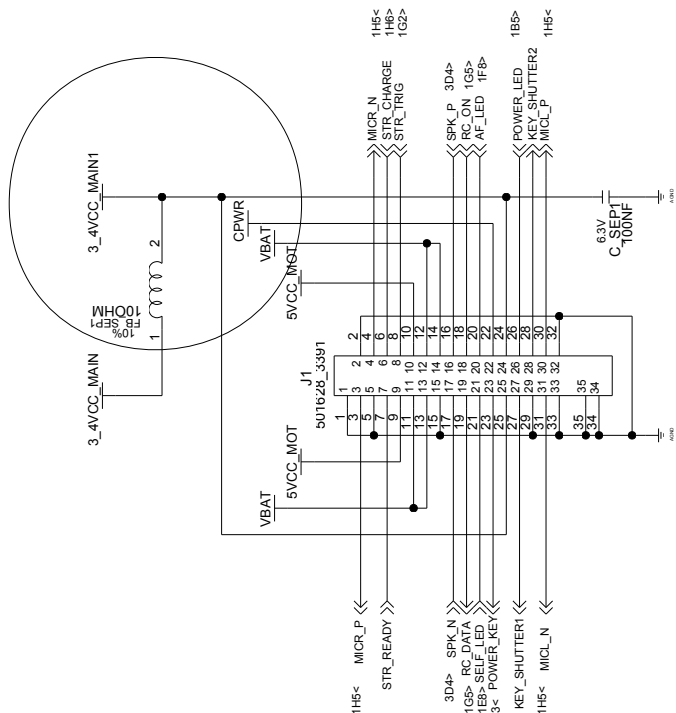


8-2 Main PCB-2

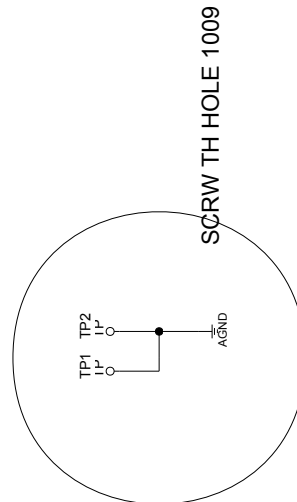


8-3 Main PCB-3

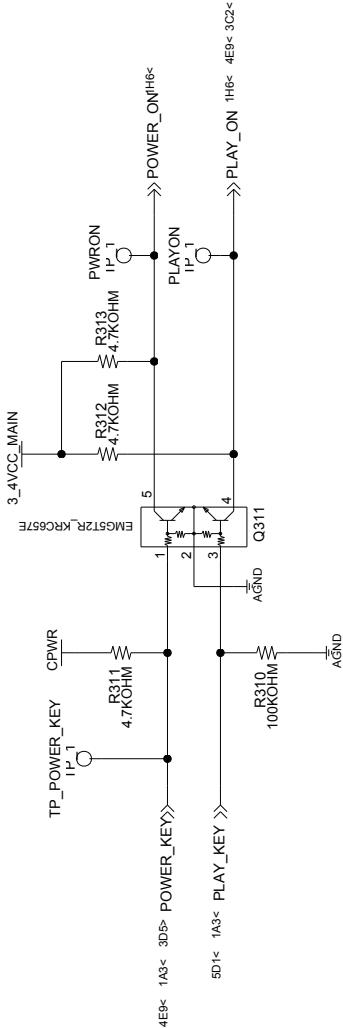
SEPERATE POWER NET 1013



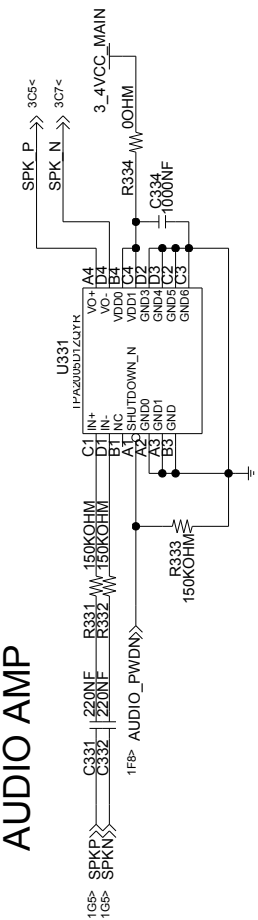
R-TYPE
TOP CONN 33PIN
CHANGE PIN-MAP & TYPE 1009



POWER / PLAY KEY

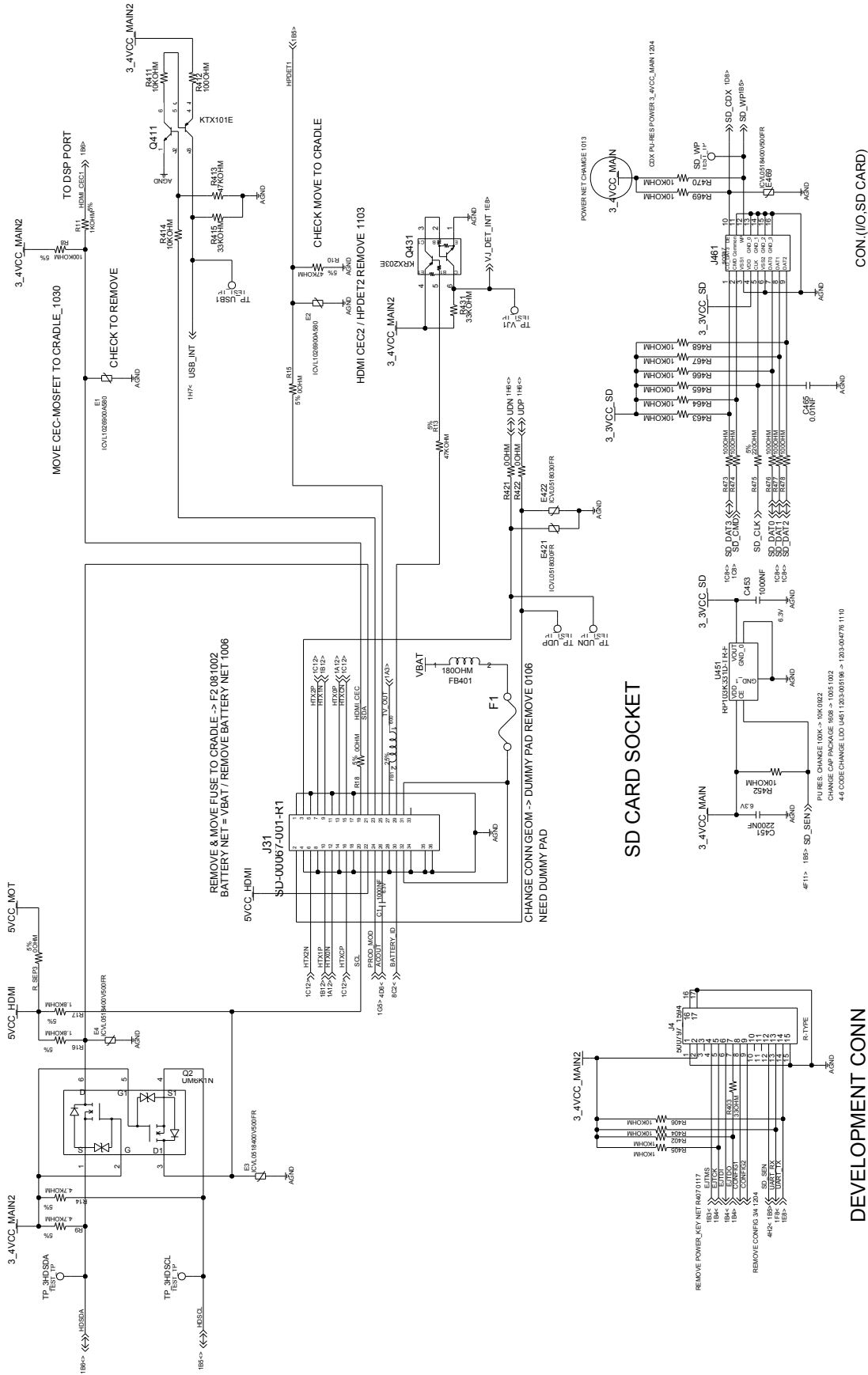


AUDIO AMP

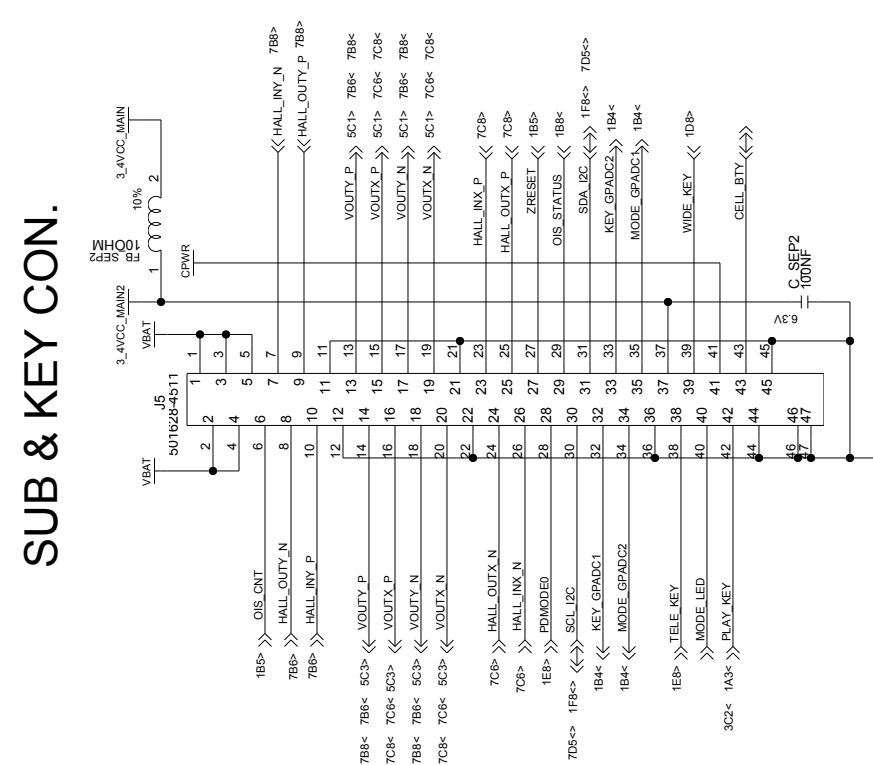
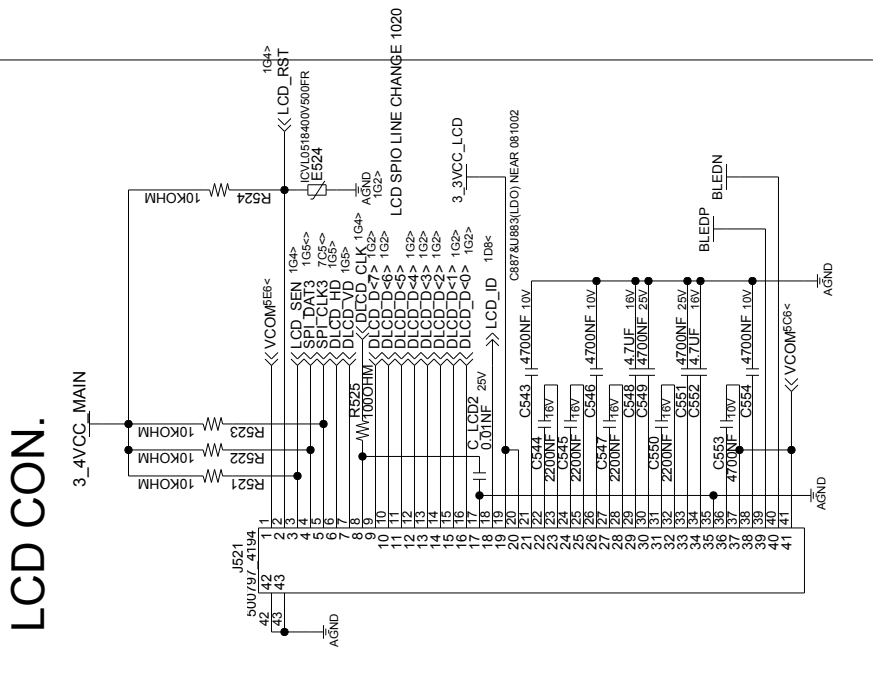


8-4 Main PCB-4

HDMI 30PIN CONN

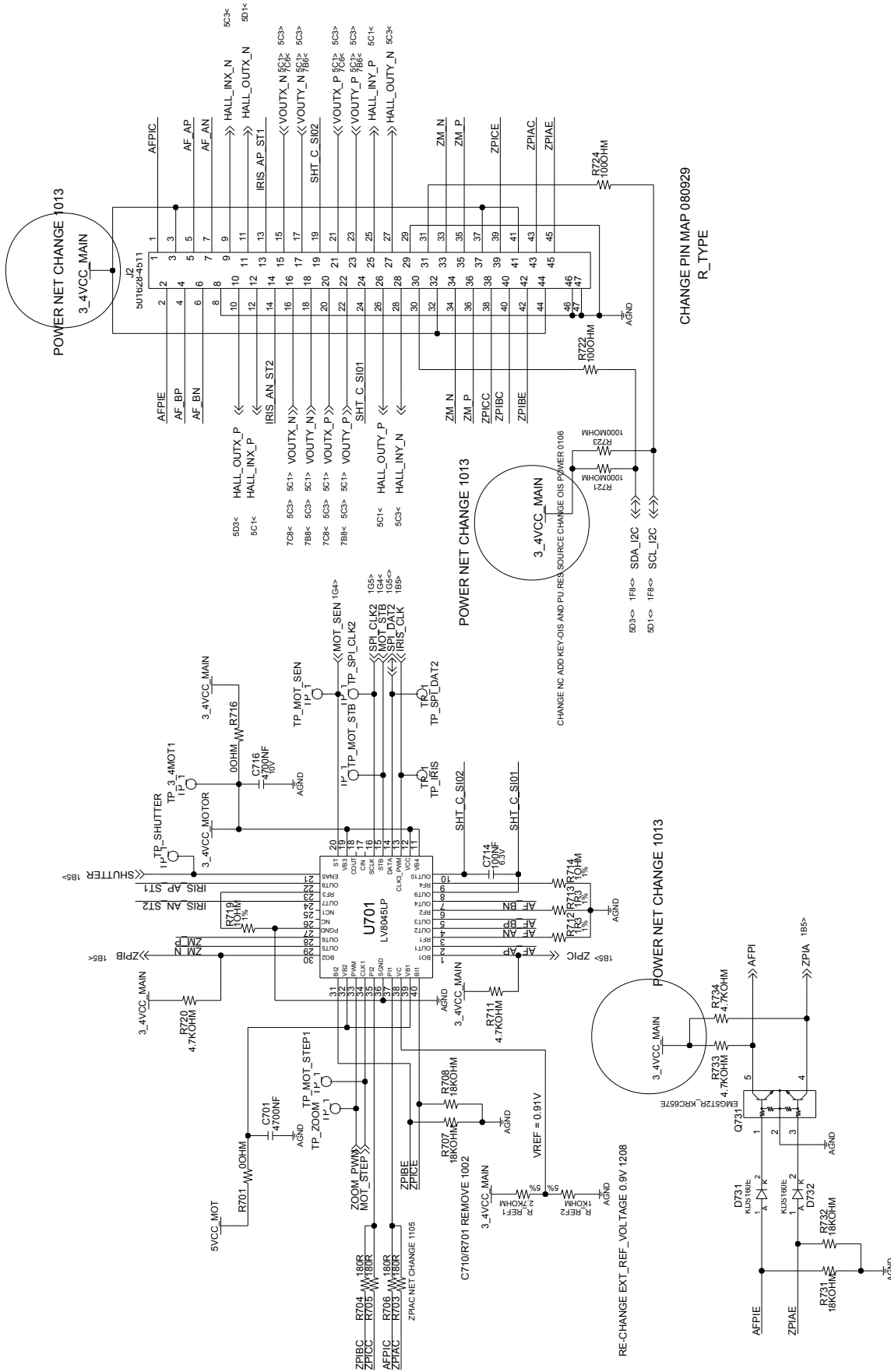


8-5 Main PCB-5

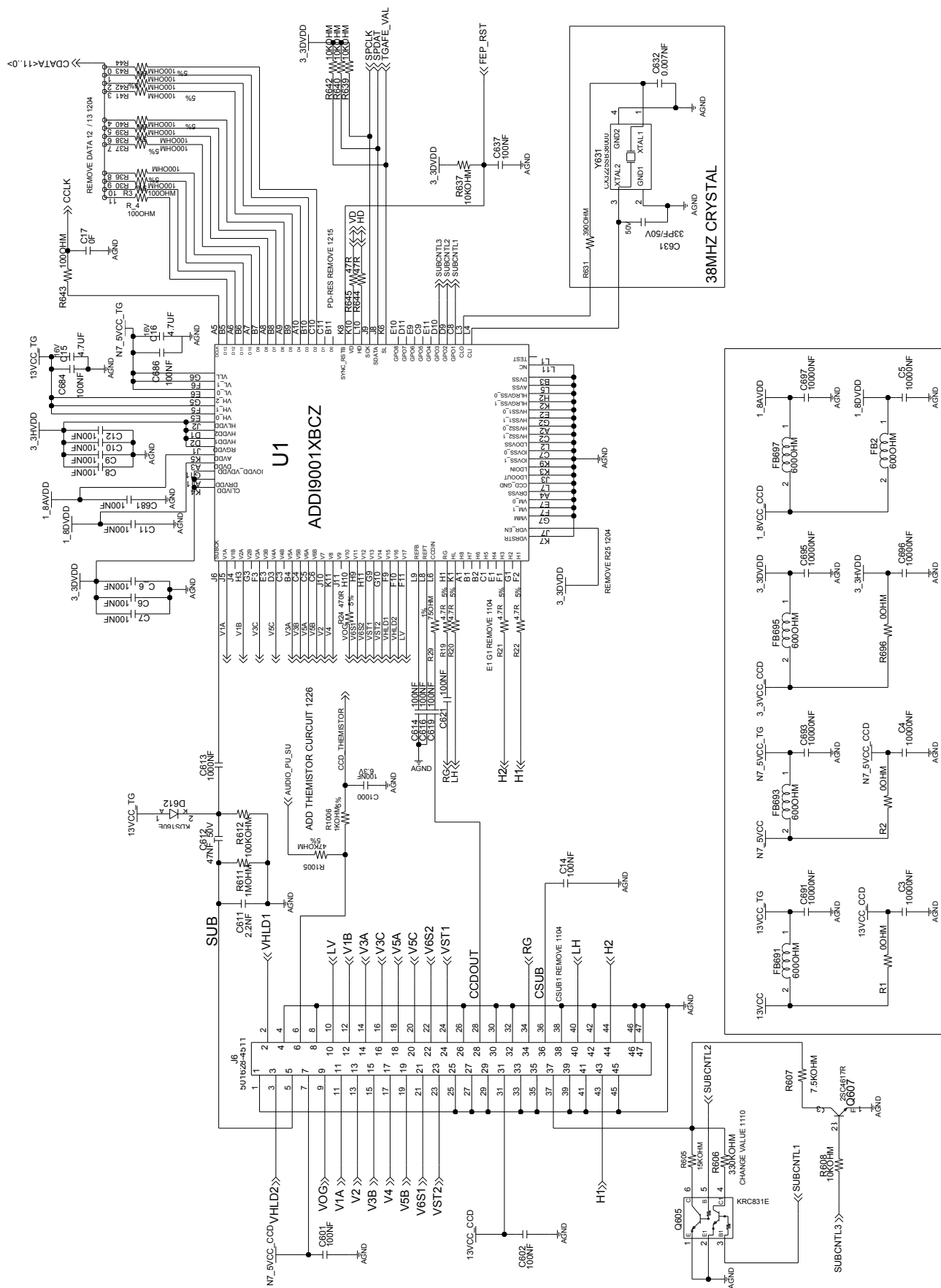


CHANGE CONN 501616 -> 501628(1031)

8-6 Main PCB-6



8-7 Main PCB-7



8-8 Main PCB-8

