

## Photoflash Capacitor Charger for DSC

### Feature

- 2.9V to 5.5V Supply Voltage Operating Range.
- Adjustable Output Voltage.
- Adjustable Peak Current.
- Charge Complete Indicator.
- Built-in IGBT Driver.
- Built-in Slow Charge Function.
- Thermal Protection
- Built-in Output Short Circuit Protection
- Charges Any Size Photoflash Capacitor.
- Small 10-lead DFN Package.

### Application

- Digital / Film Camera Flash
- PDA / Cell Phone Flash.

### Description

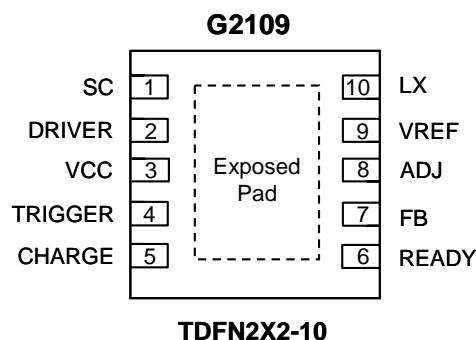
The G2109 is a charger IC for Photoflash capacitor with soft-start function, an IGBT driver for igniting flash tube, adjustable output voltage and adjustable primary peak current to perform energy transition on each charge cycle. The output voltage is determined by voltage divider connecting to the anode of the rectifying diode. The voltage sensing path is cut off when charging function to be completed to maintain minimum output voltage decay. It also provides SCP function for the voltage divider open or output short.

### Ordering Information

ORDER NUMBER	MARKING	TEMP. RANGE	PACKAGE (Green)
G2109K21U	2109	-40°C to +85°C	TDFN2X2-10

Note: K2: TDFN2X2-10  
 1: Bonding Code  
 U: Tape & Reel

### Pin Configuration



Note: Exposed Pad must connect to GND.