

8. Schematic Diagrams

8-1 Main PCB-1

REVISION HISTORY

REV	REVISION DESCRIPTION	Date
A0		2009/03/XX
A1		
A2		
B		
C		

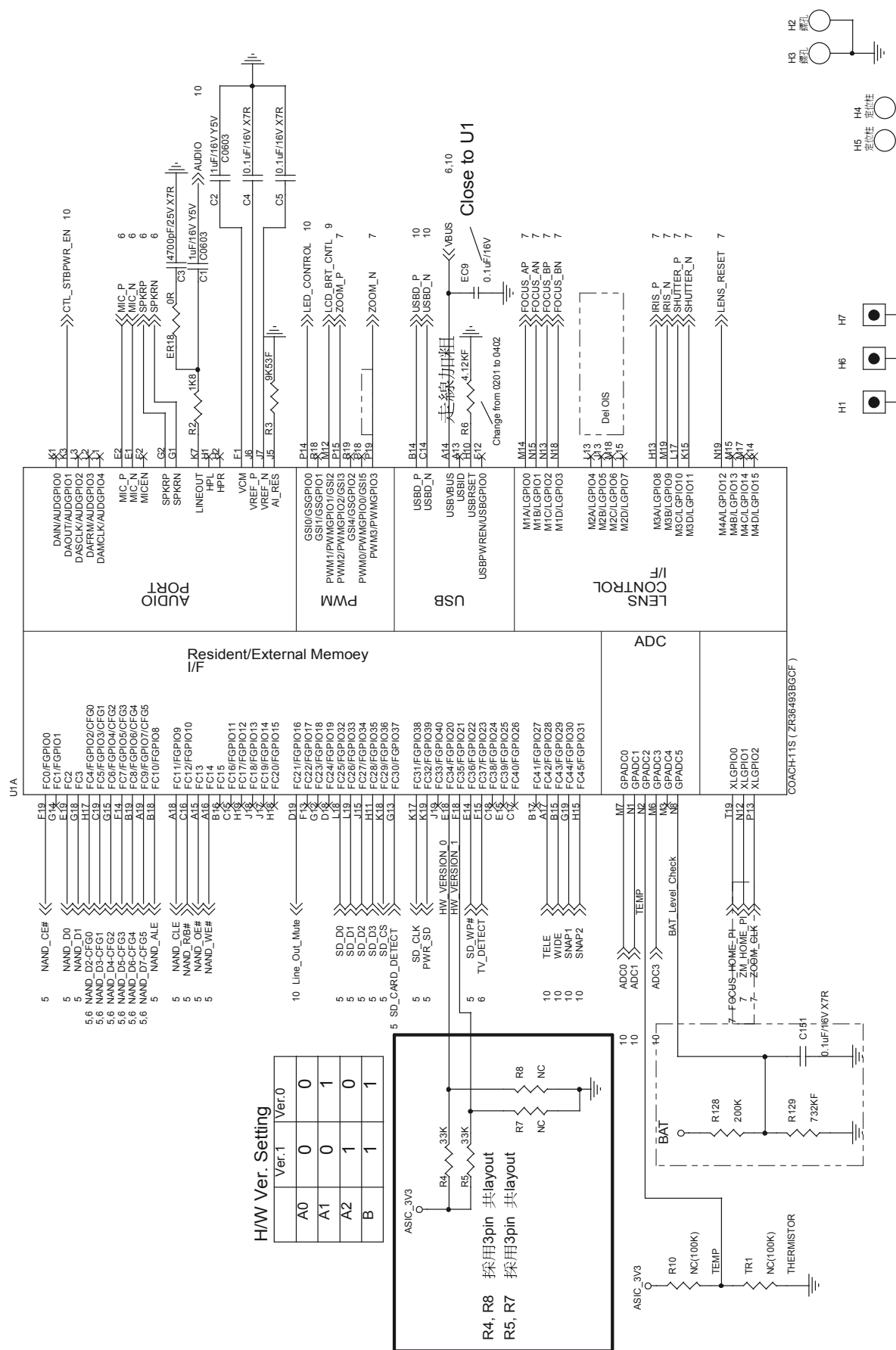
TEST PAD IS A 40 MIL ROUND PAD

Componet limit

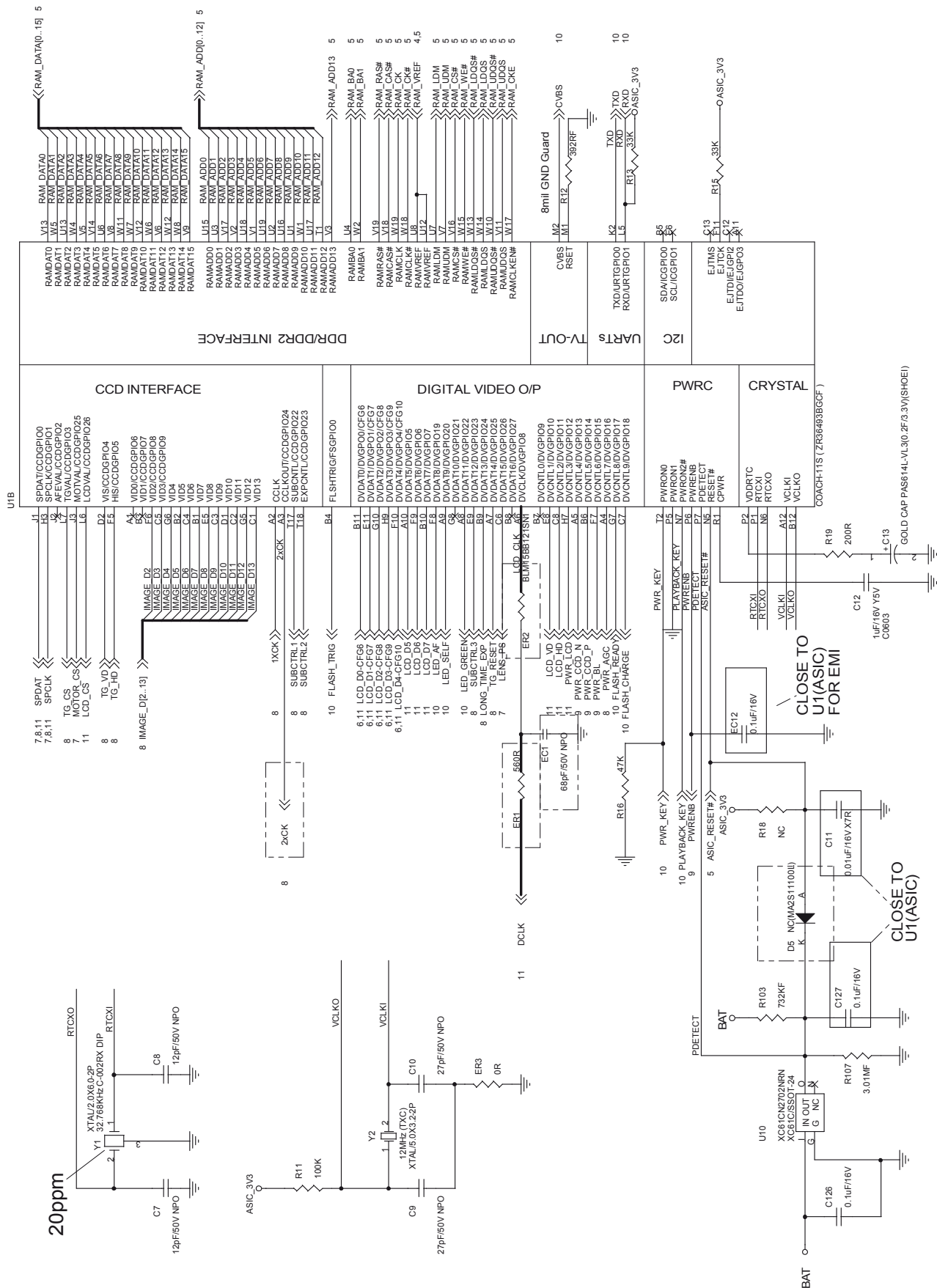
SOC BGA-54 H:1.2mm	SOP-8 H:1.75mm
LTFBGA-293 H:1.2mm	SOT-23-5 H:0.9~1.3mm
TQFP-48 H:1.2mm	SOD-123 H:1.35mm
TQFP-100 H:1.2mm	SOT-23 H:1.10mm
TSOPII-54 H:1.2mm	A-Size H:1.6mm
EMD3/SOT-416/SC-75A H:0.7mm	B-Size H:1.9mm
UMD3/SOT-323/SC-70 H:0.9mm	D-Size H:2.8mm
MSOP-10 H: mm	HC-49US H:3mm
MCPH3 H:0.85mm	DT-26 H:1.8mm
uSOP-8 H:1.0mm	MicroPAK H:0.8mm

Page	
1	COVER PAGE
2	COACH-11S-1
3	COACH-11S-2
4	COACH-11S-3/Power I/F
5	DDR2 SDRAM/NAND/SD CARD
6	AUDIO/MIC/AV OUT/CFG
7	LENS DRIVER
8	TG ADDI9004
9	POWER_AT1868
10	MAIN to STROBE & UI
11	LCD_AUO(A027DN01)
12	Modify Note
13	SYSTEM BLOCK DIAGRAM
14	POWER BLOCK DIAGRAM
15	
16	

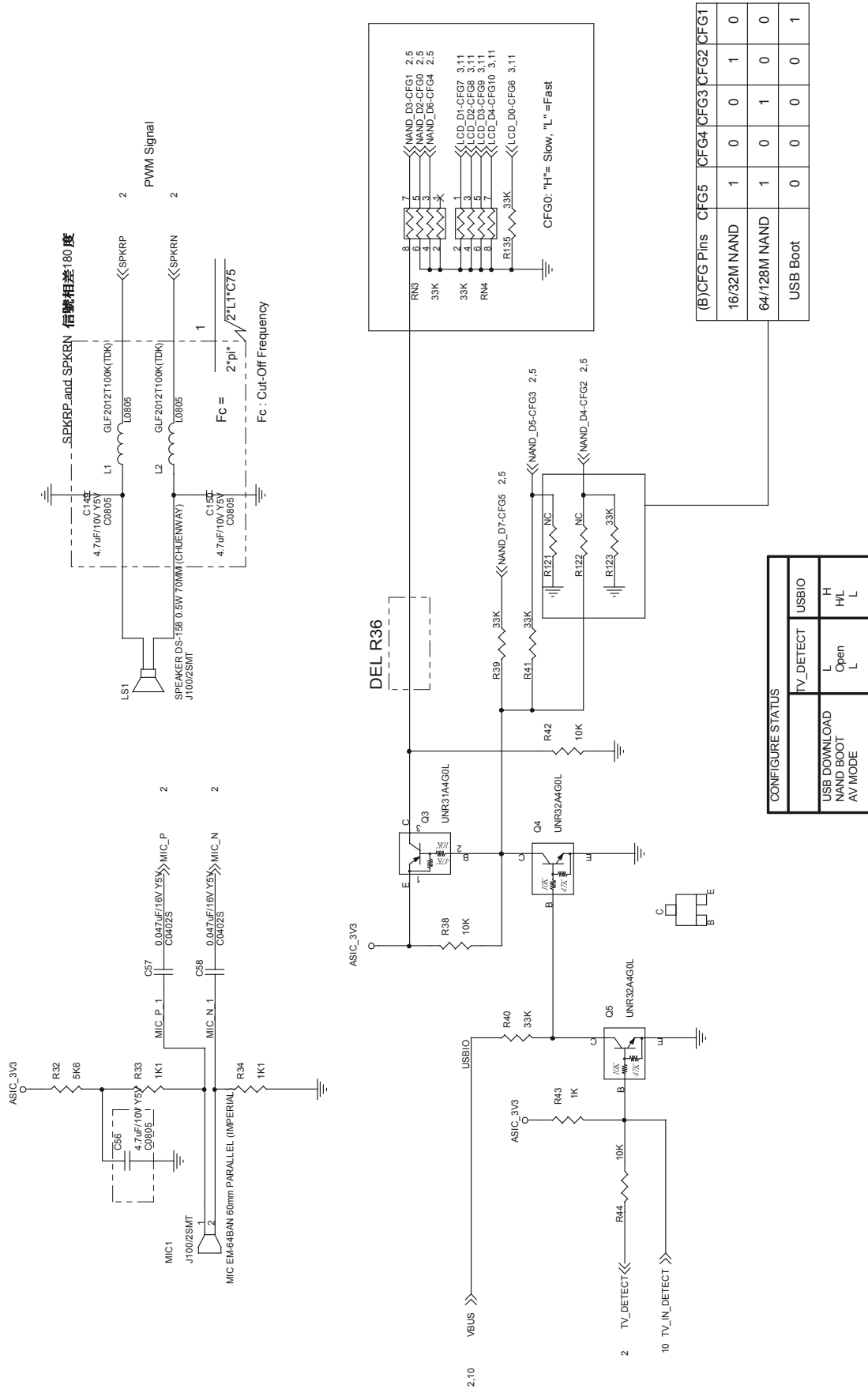
8-2 Main PCB-2



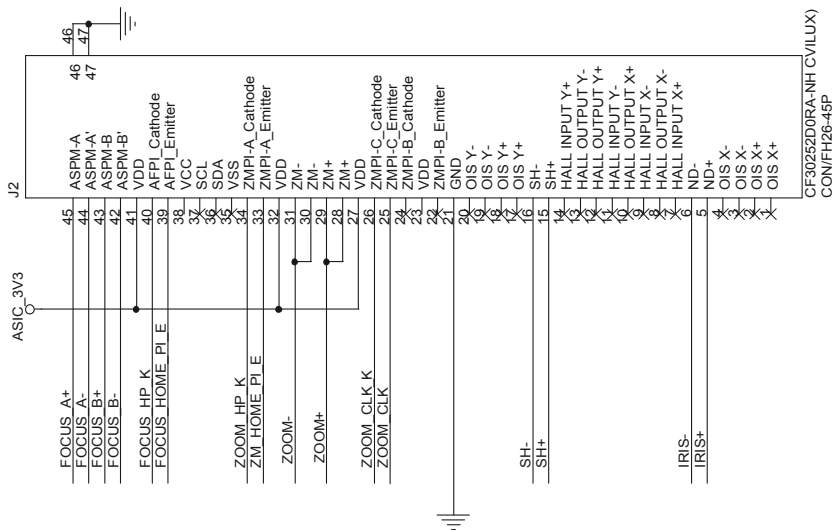
8-3 Main PCB-3



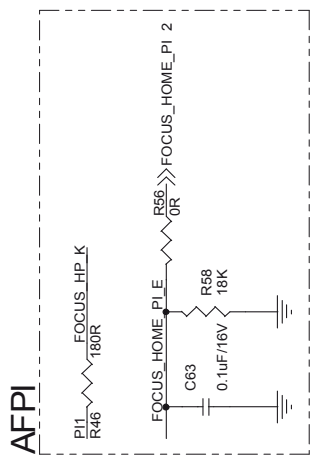
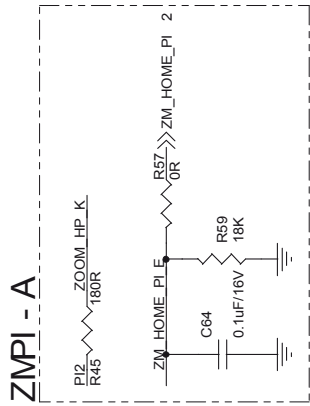
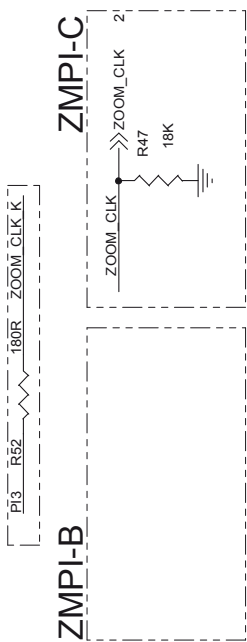
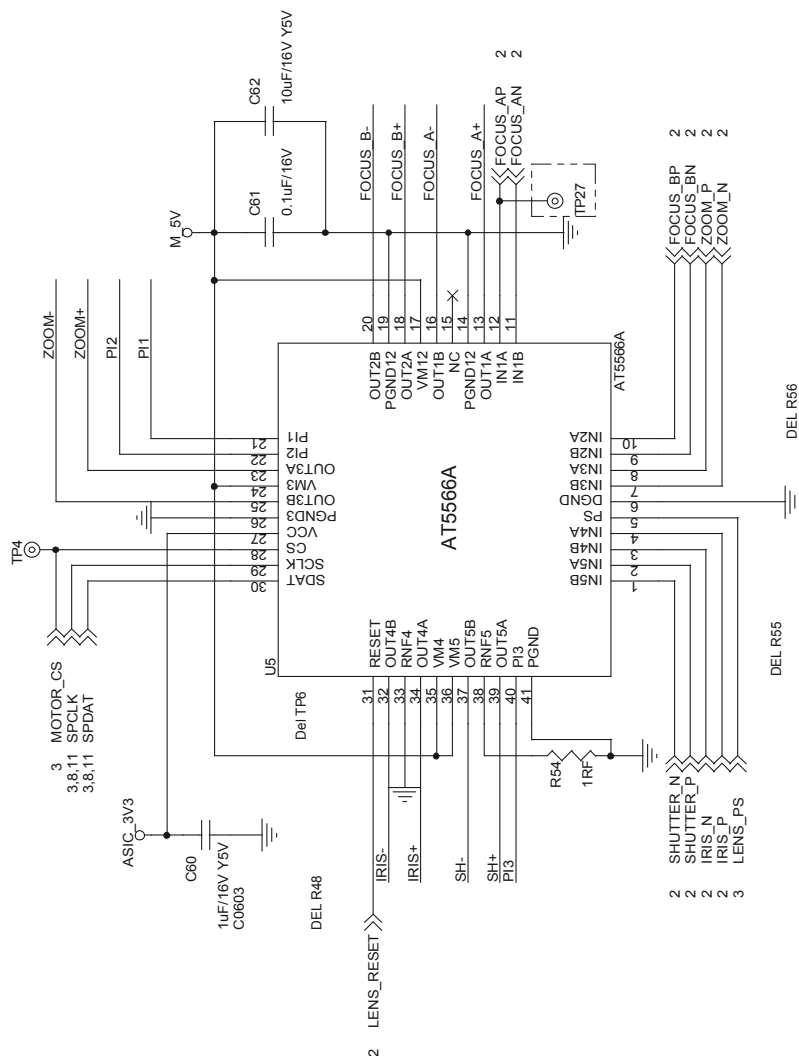
8-6 Main PCB-6



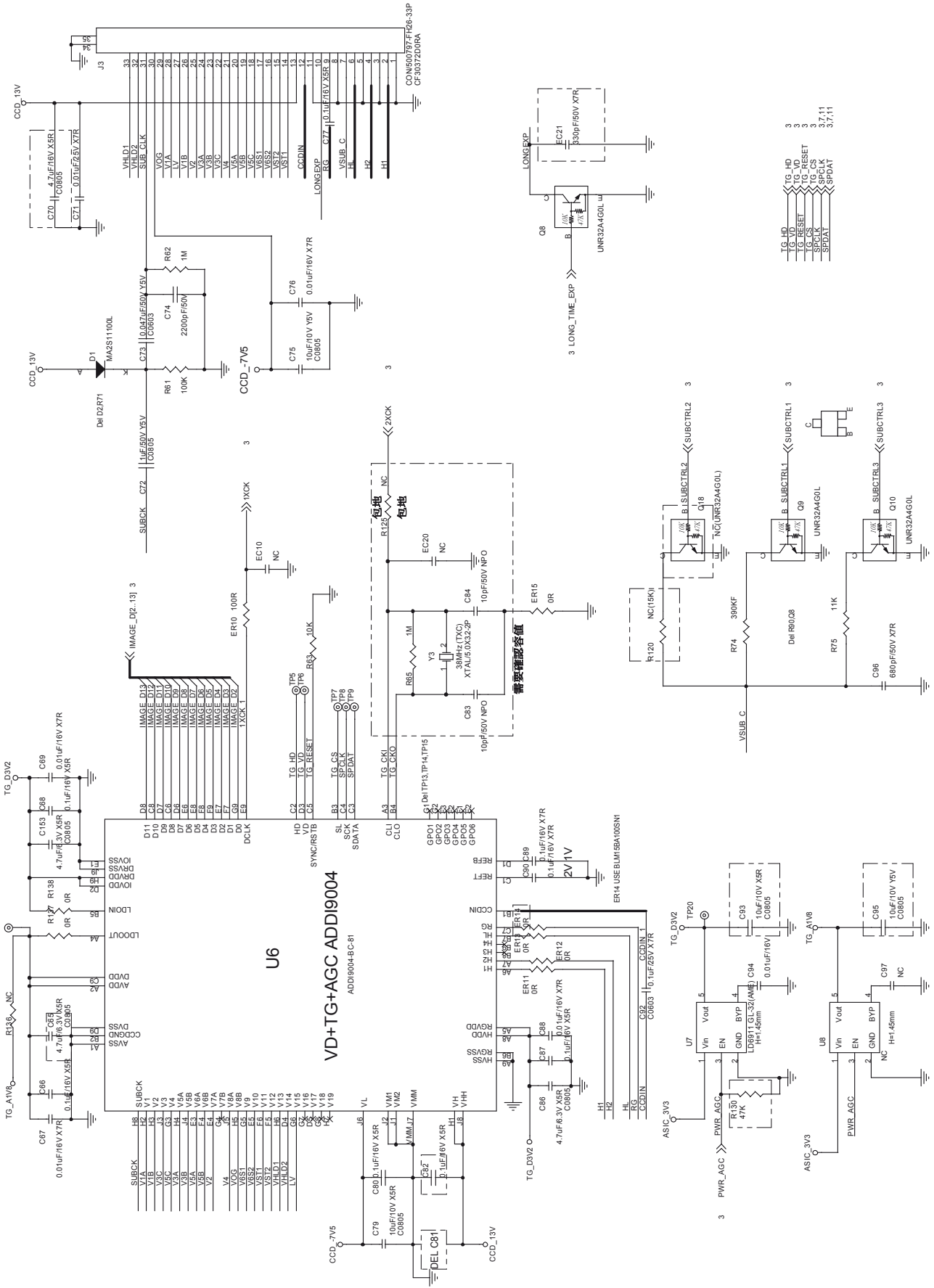
8-7 Main PCB-7



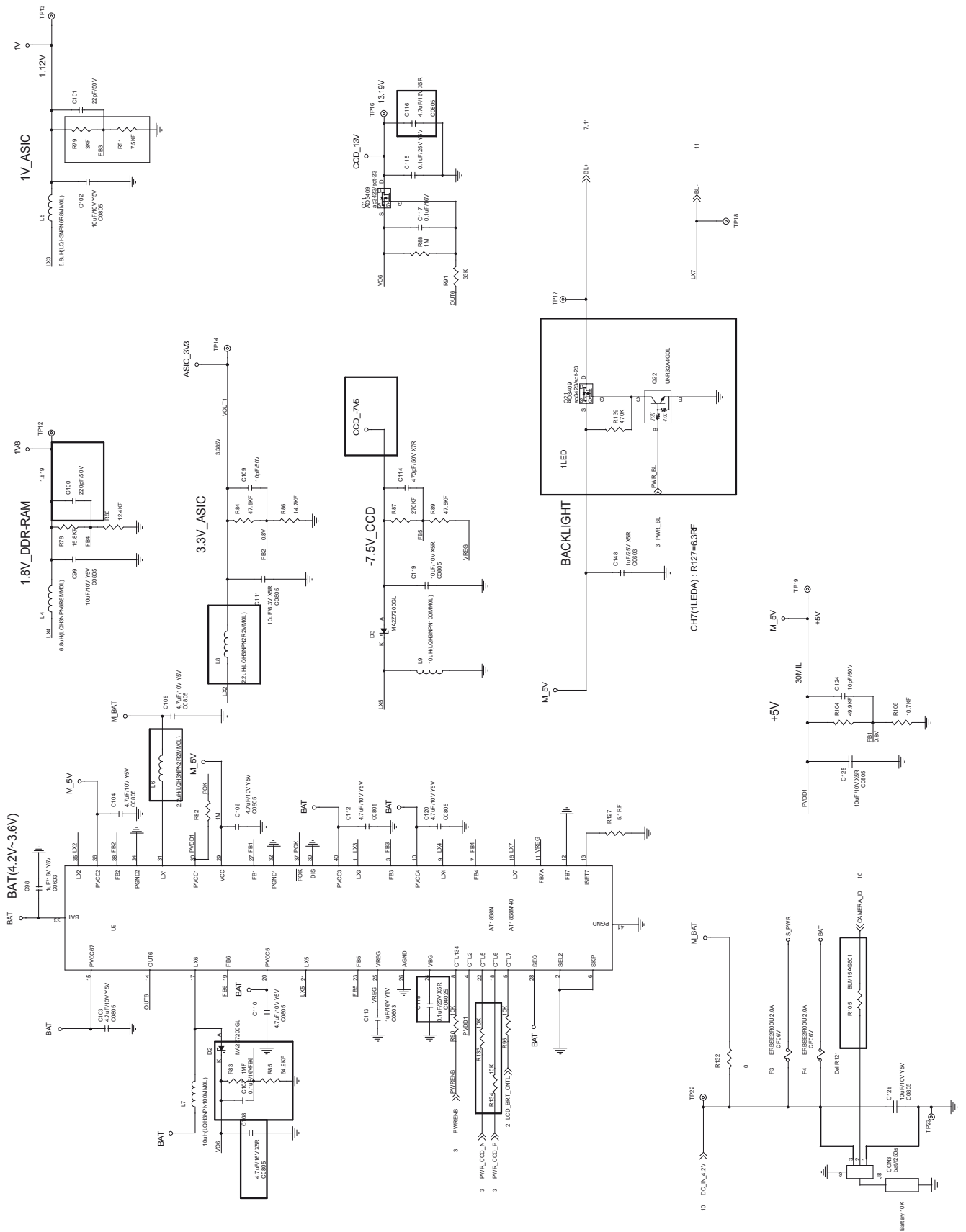
CF30252D0RA-NH (CVILUX)
CON/FH26-45P



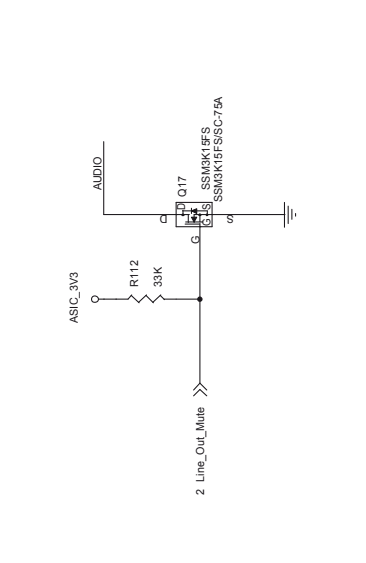
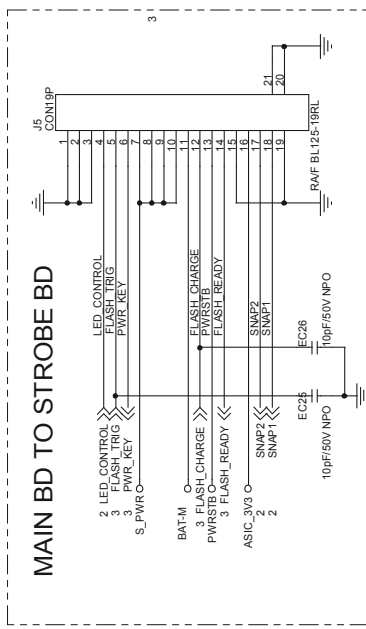
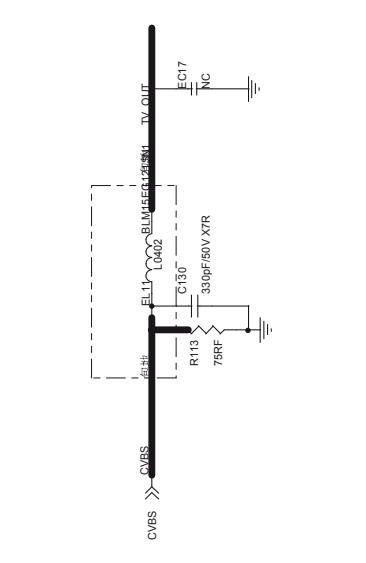
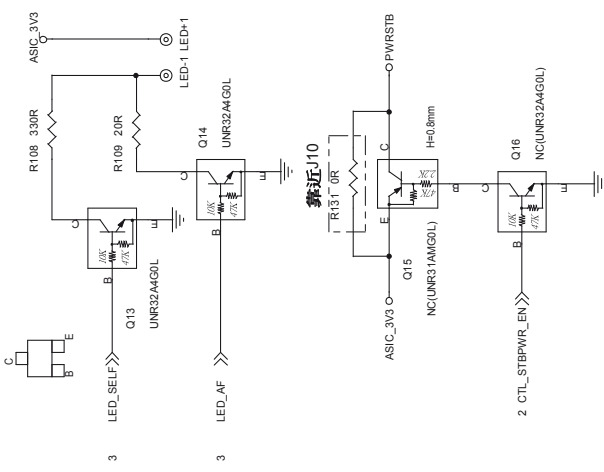
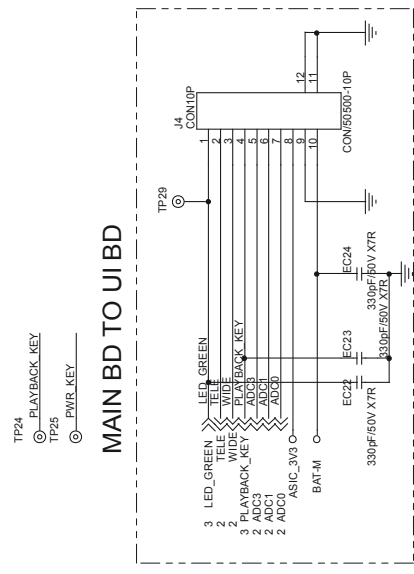
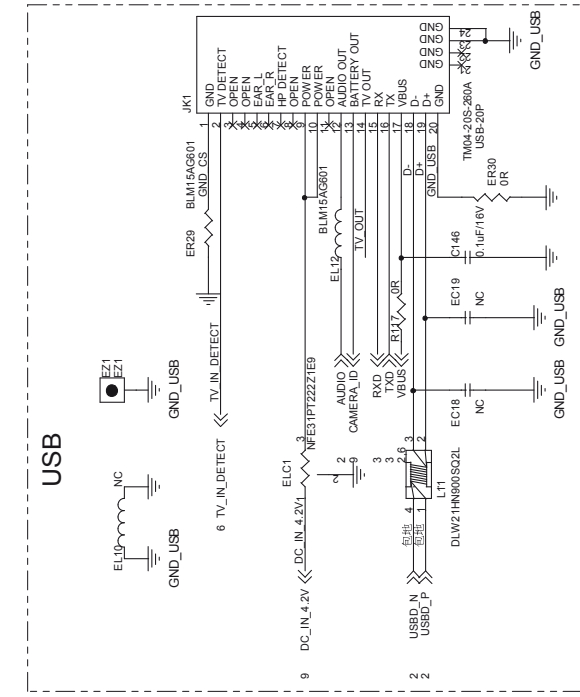
8-8 Main PCB-8



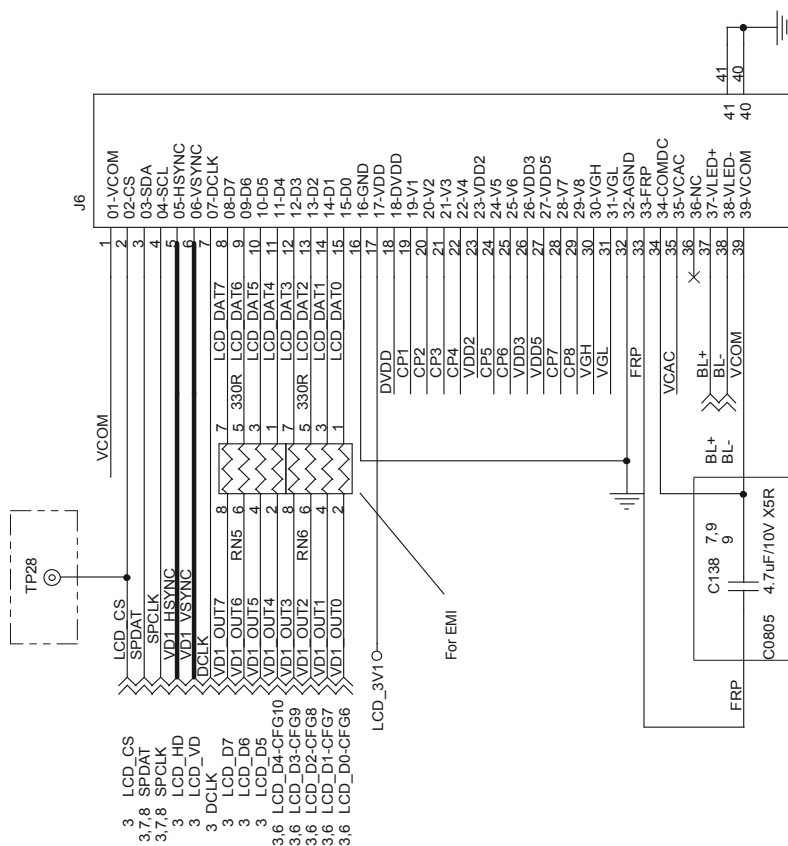
8-9 Main PCB-9



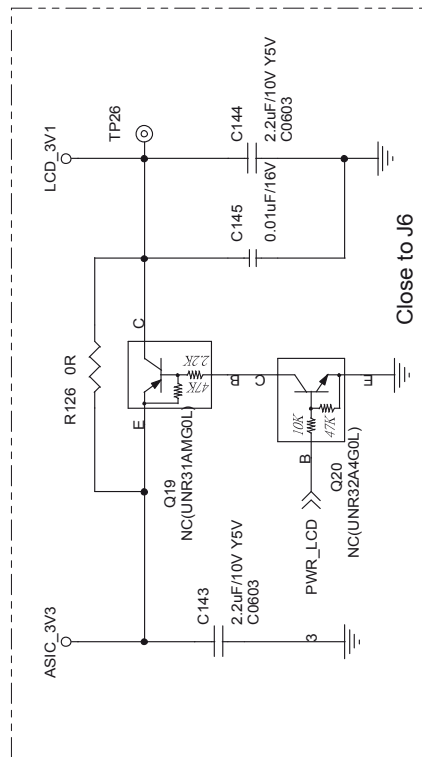
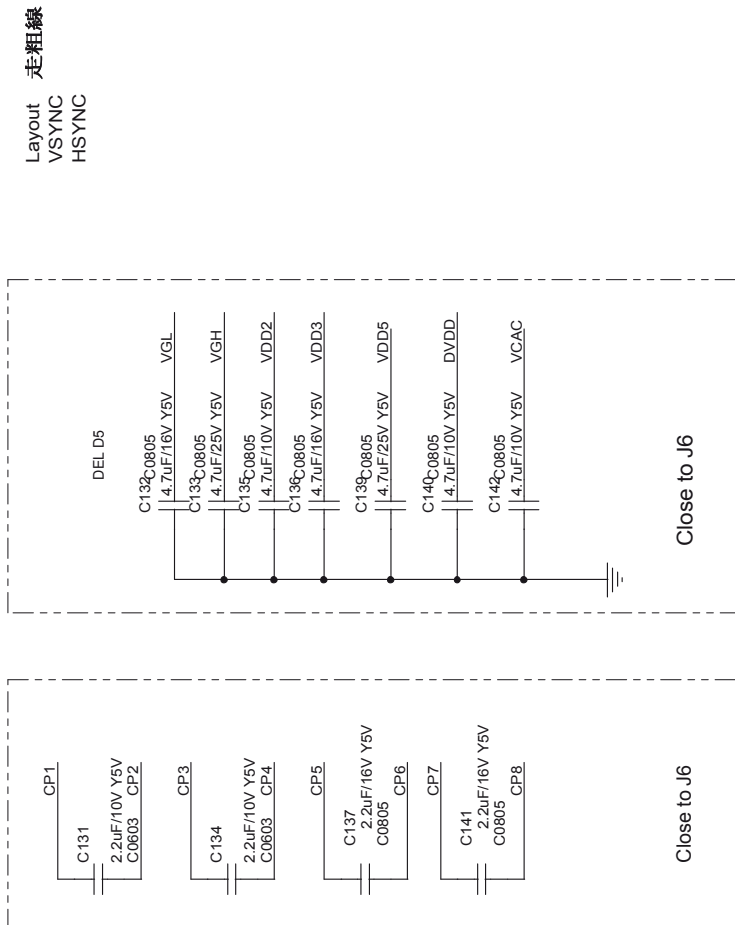
8-10 Main PCB-10



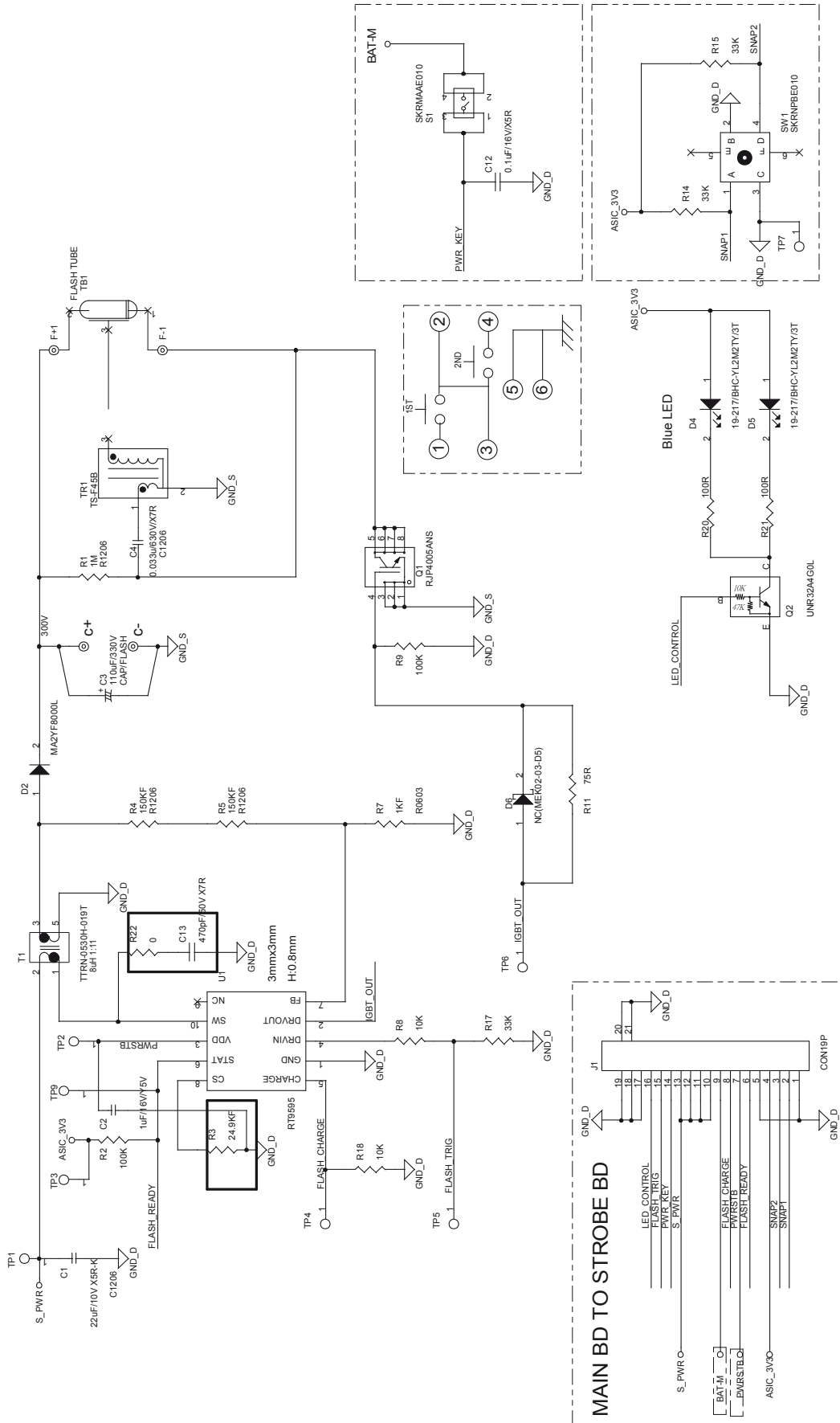
8-11 Main PCB-11



CON 39P FPC 0.3mm
A027DN01
 注意: LCD FPC 的 Pin 1 位置

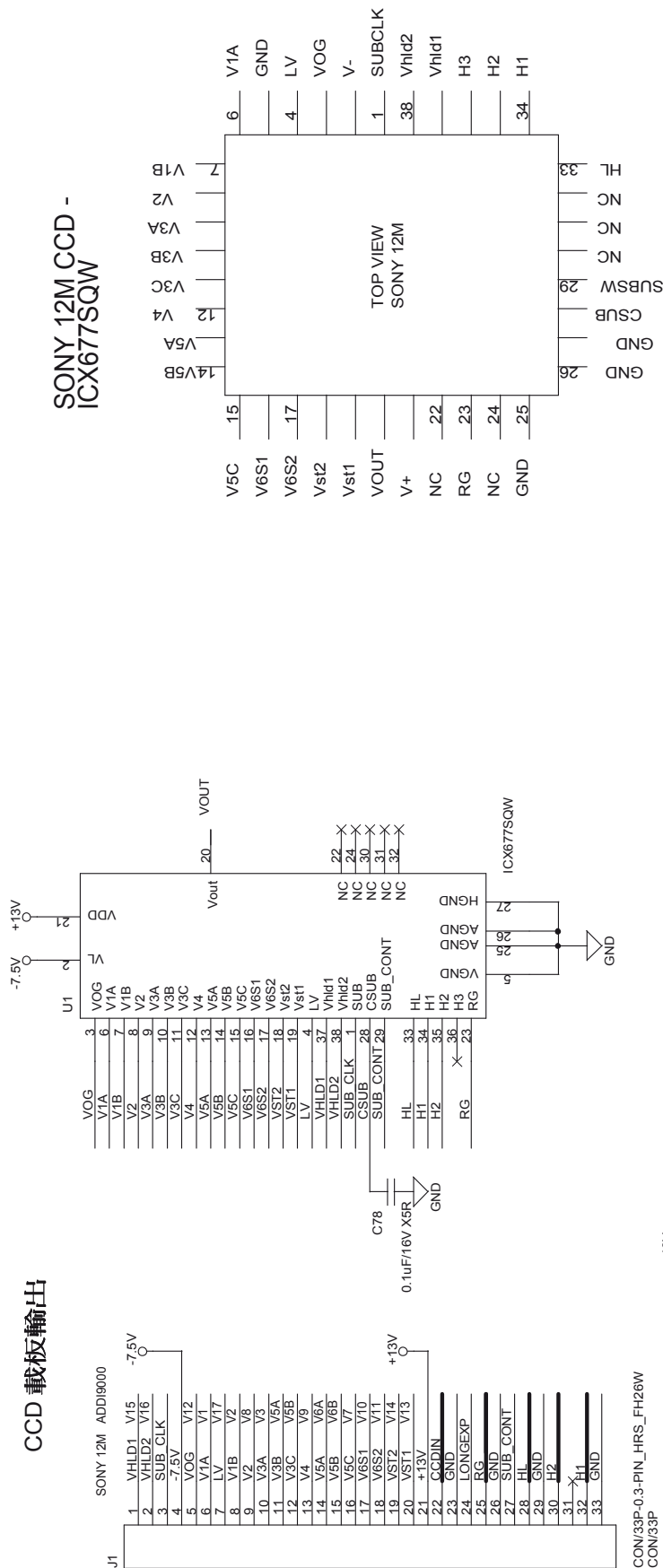


8-12 Strobe PCB

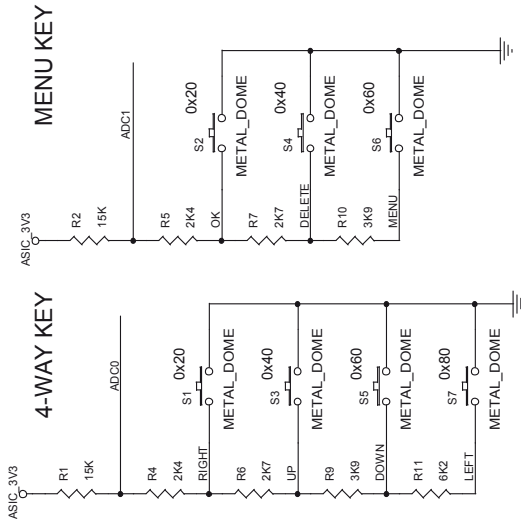
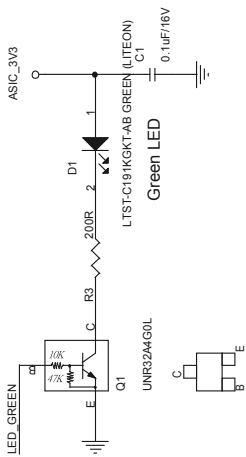


8-13 CCD FPC PCB

CCD 載板輸出



8-14 UI PCB



ADC

R	V
4.3K	0.735
6.2K	0.965
12K	1.466
16K	1.703
33K	2.26
47K	2.501
82K	2.789
150K	3

