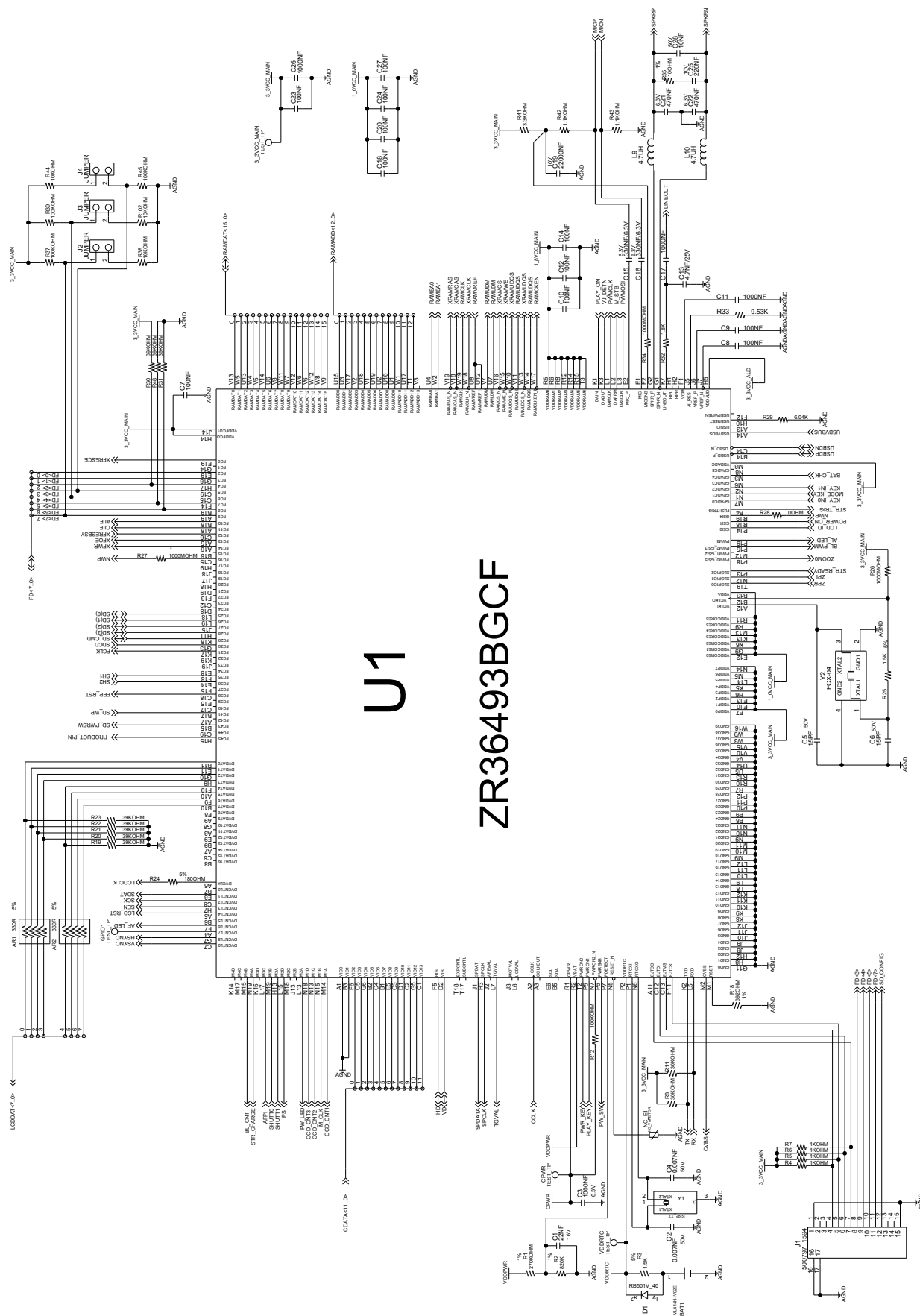
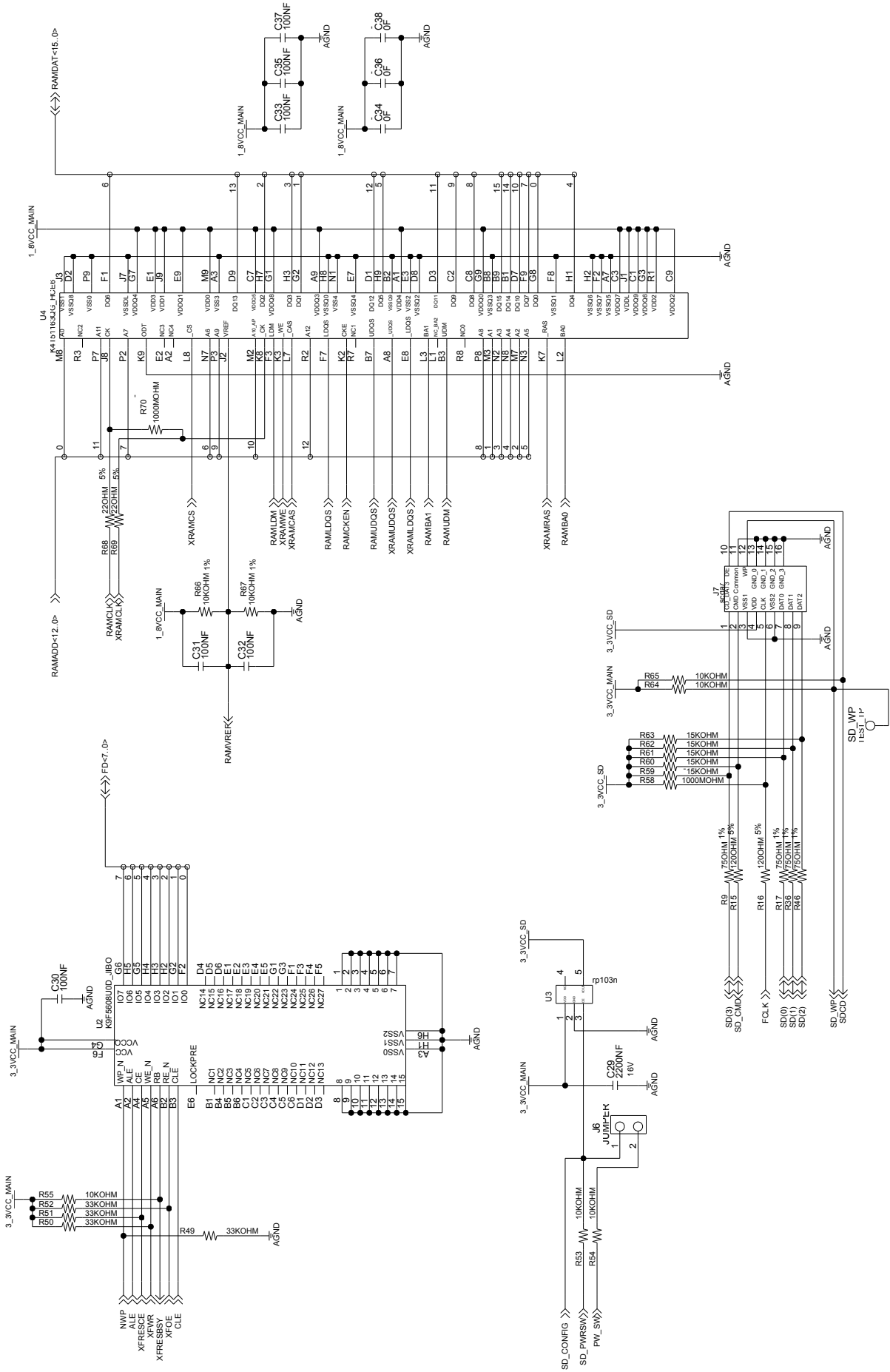


# 8. Schematic Diagrams

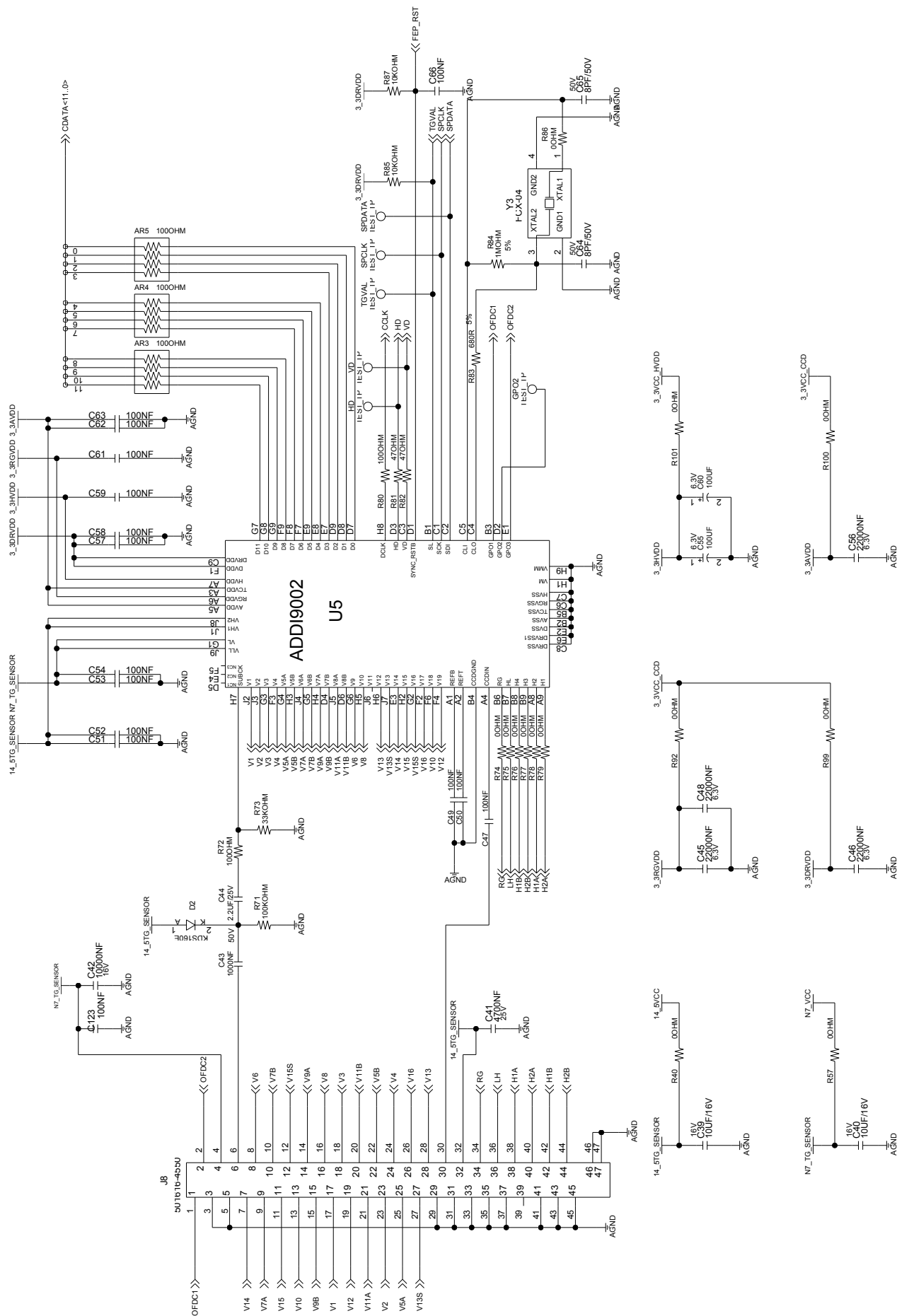
## 8-1 Main PCB-1



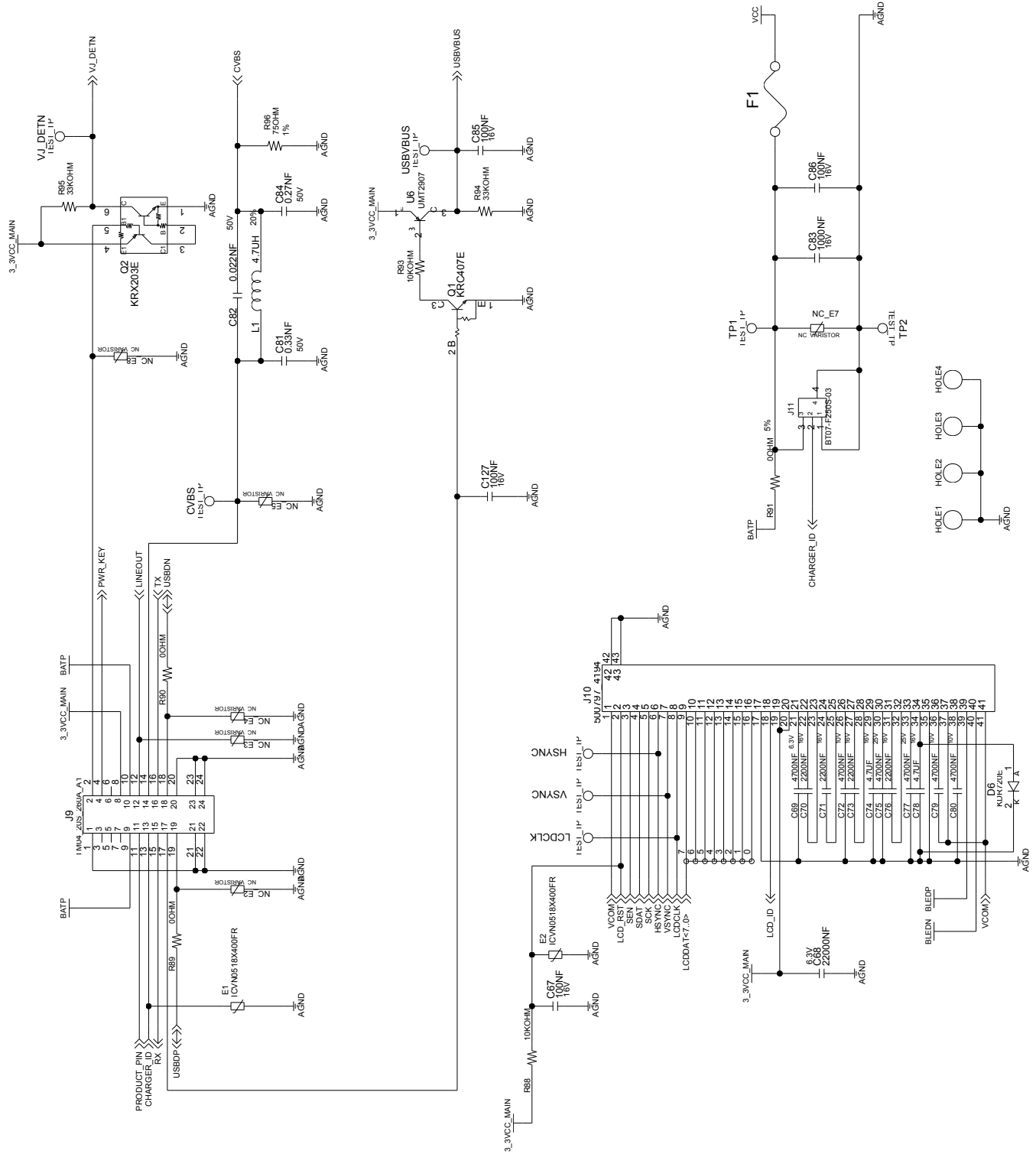
# 8-2 Main PCB-2



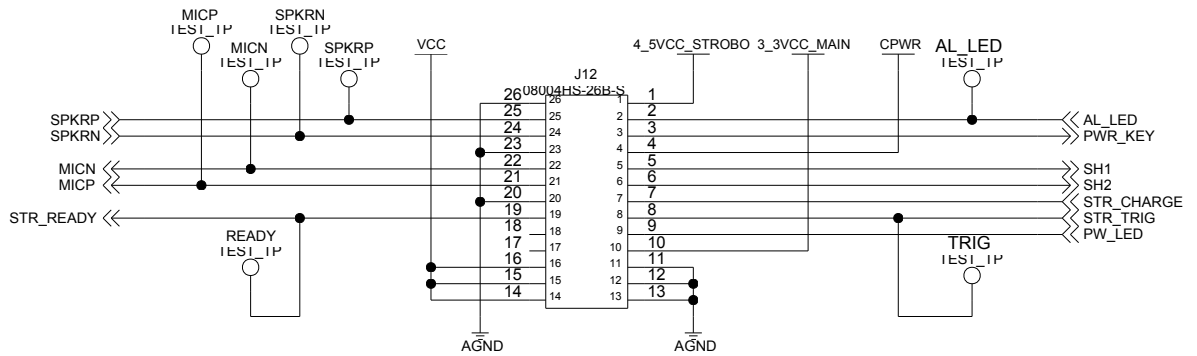
# 8-3 Main PCB-3



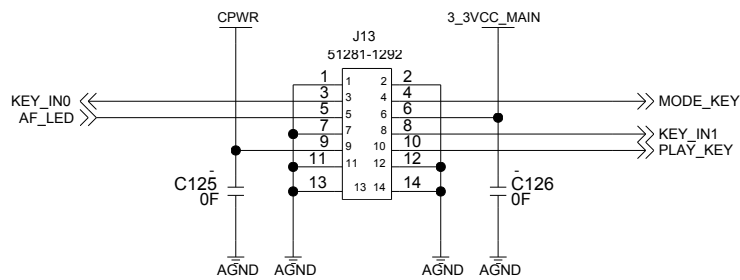
# 8-4 Main PCB-4



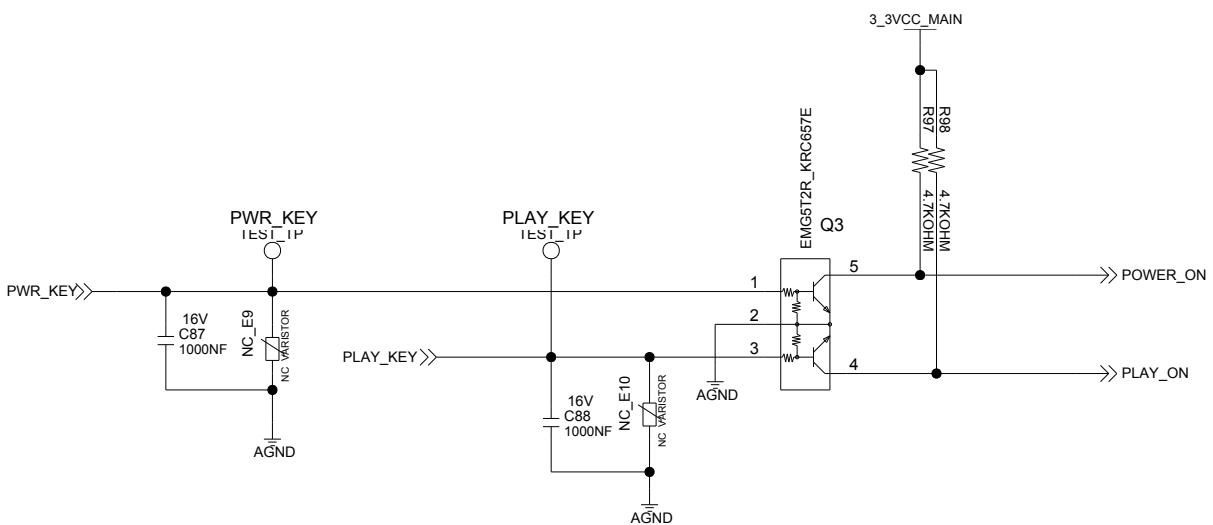
# 8-5 Main PCB-5



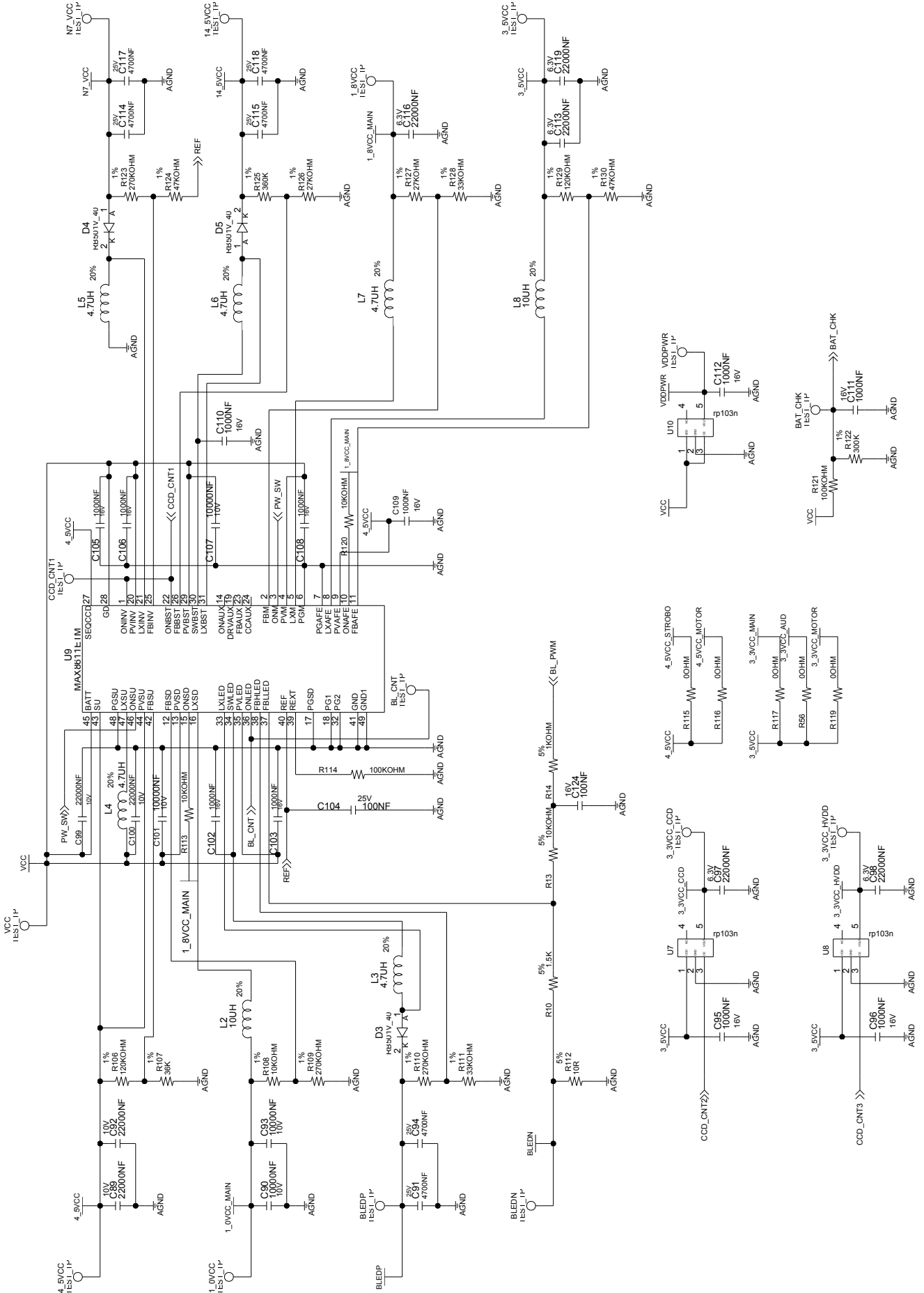
TOP CONNECTOR



KEY(OIS) CONNECTOR



# 8-6 Main PCB-6



# 8-7 Main PCB-7

