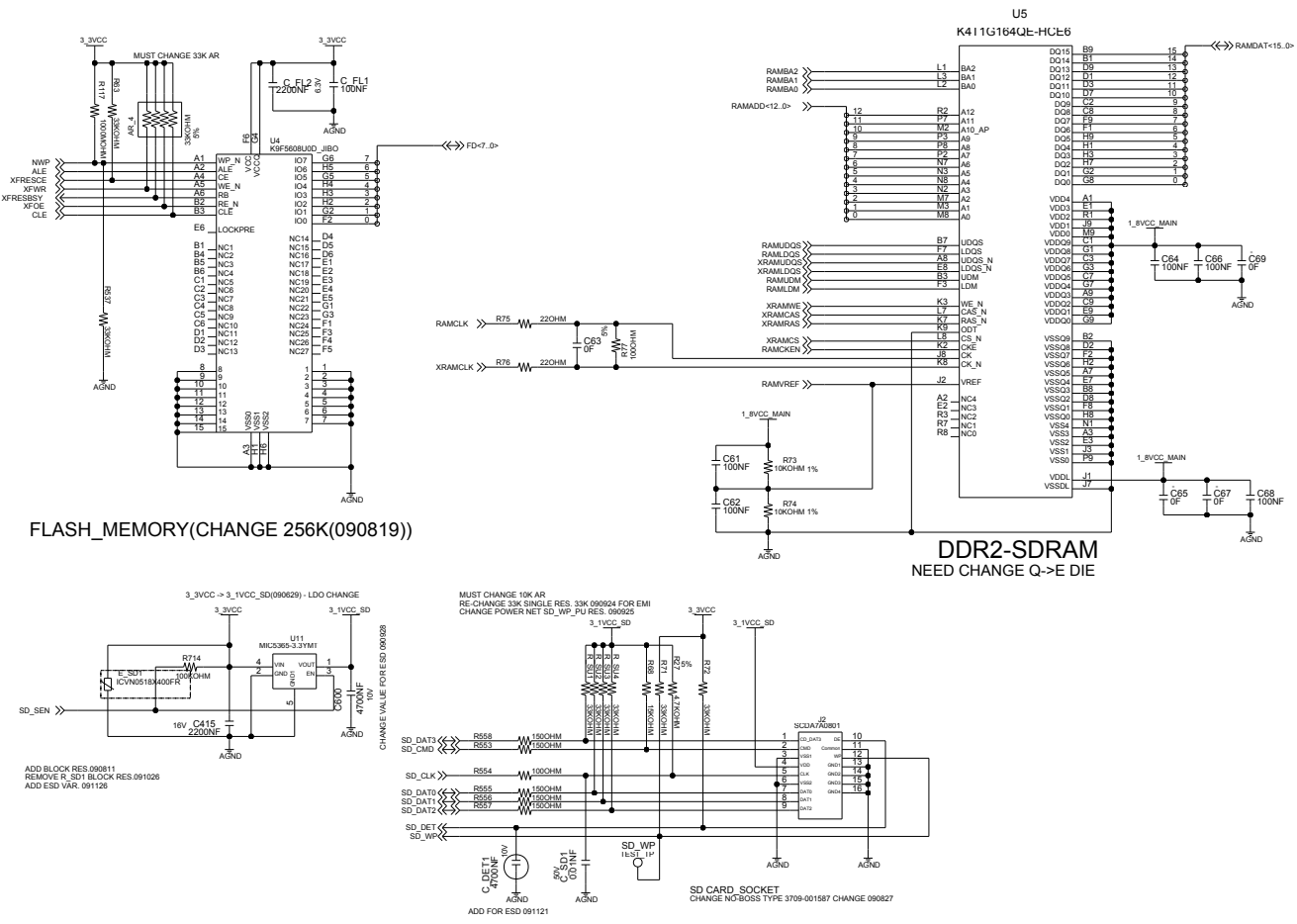
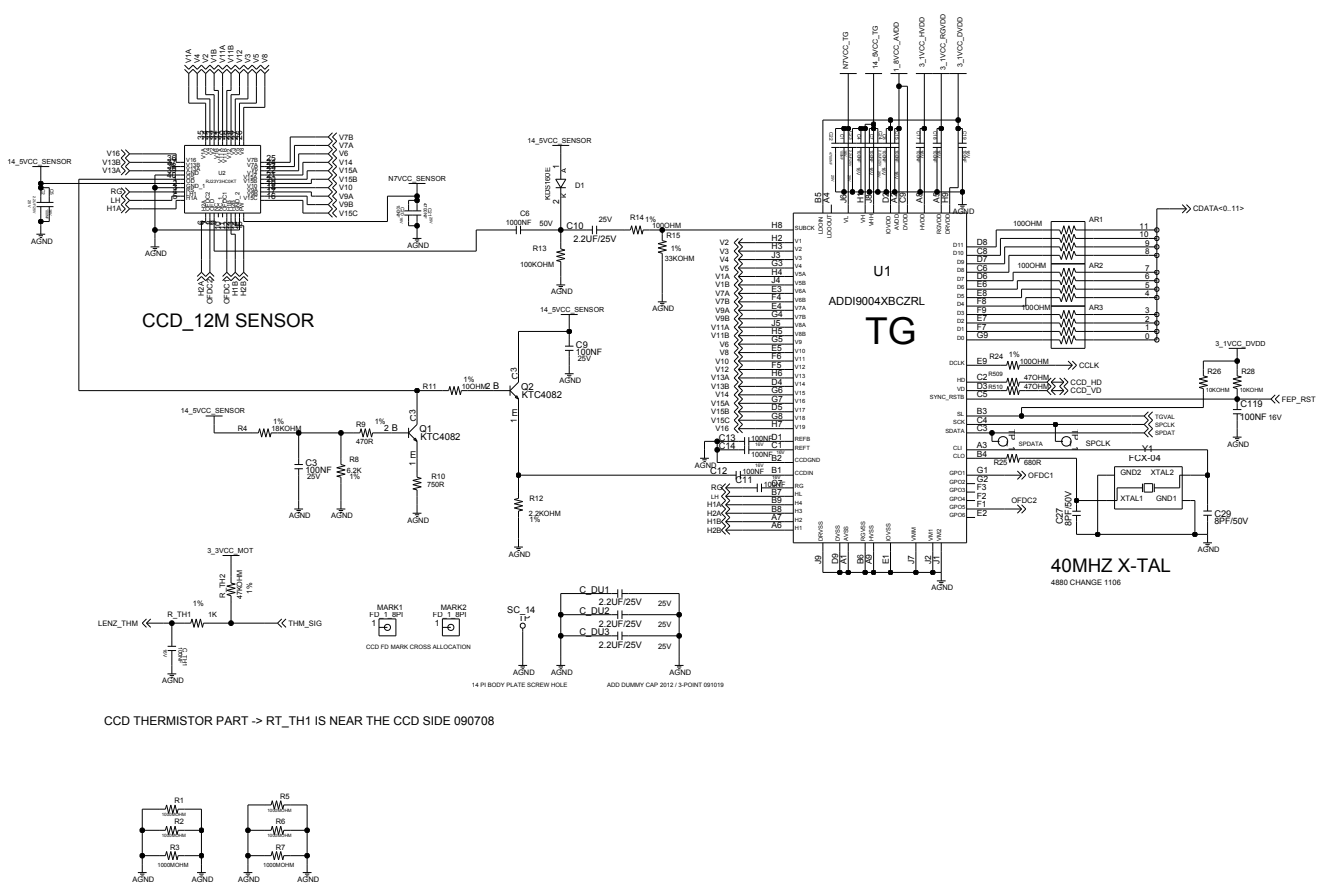


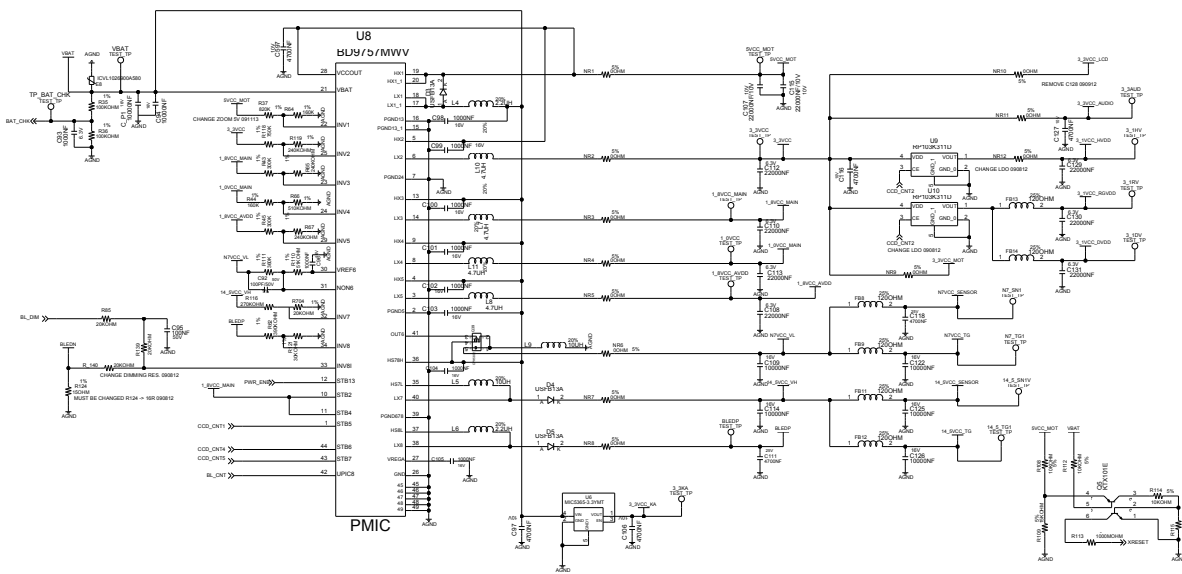
8-2 Main PCB-2



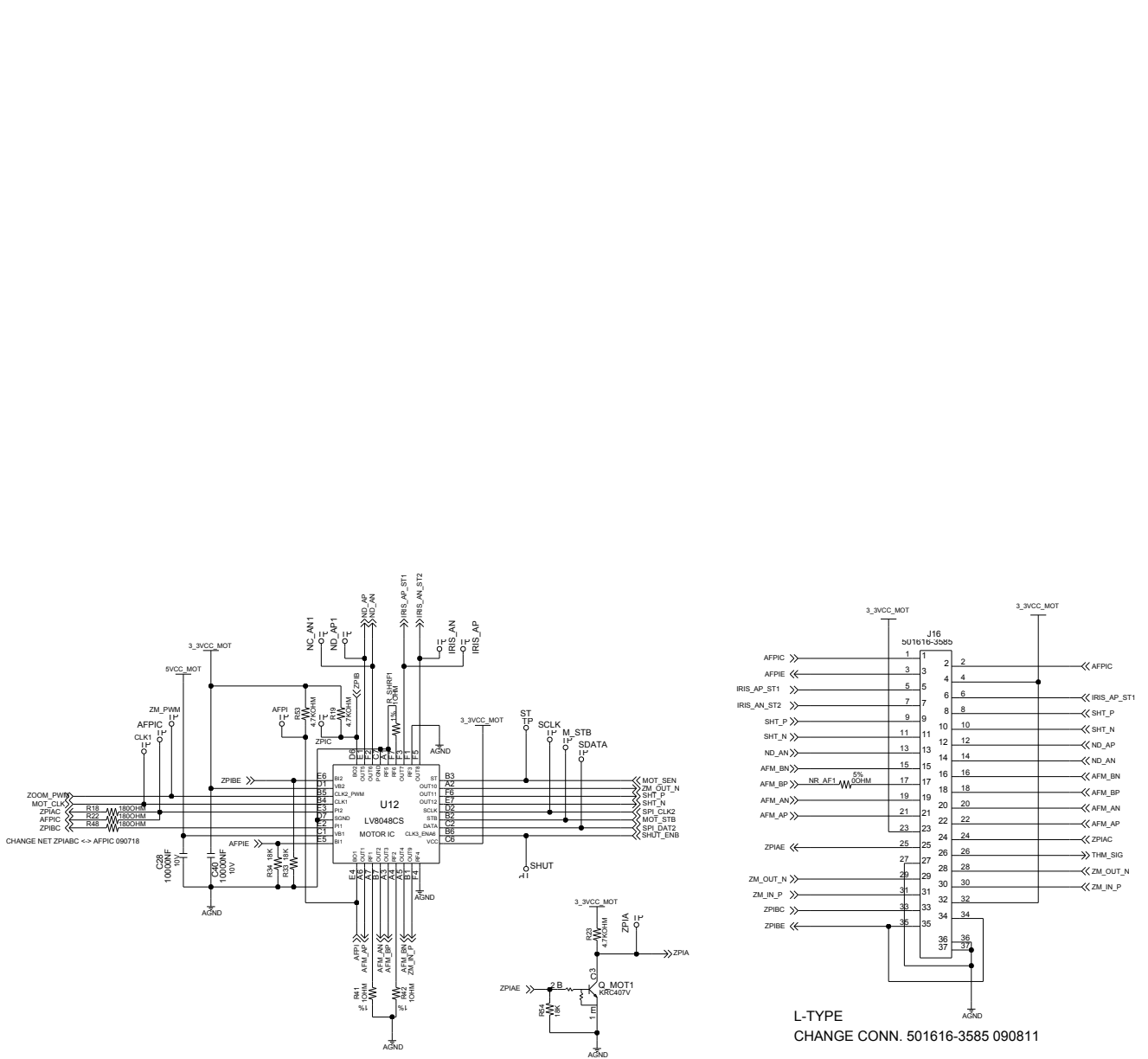
8-3 Main PCB-3



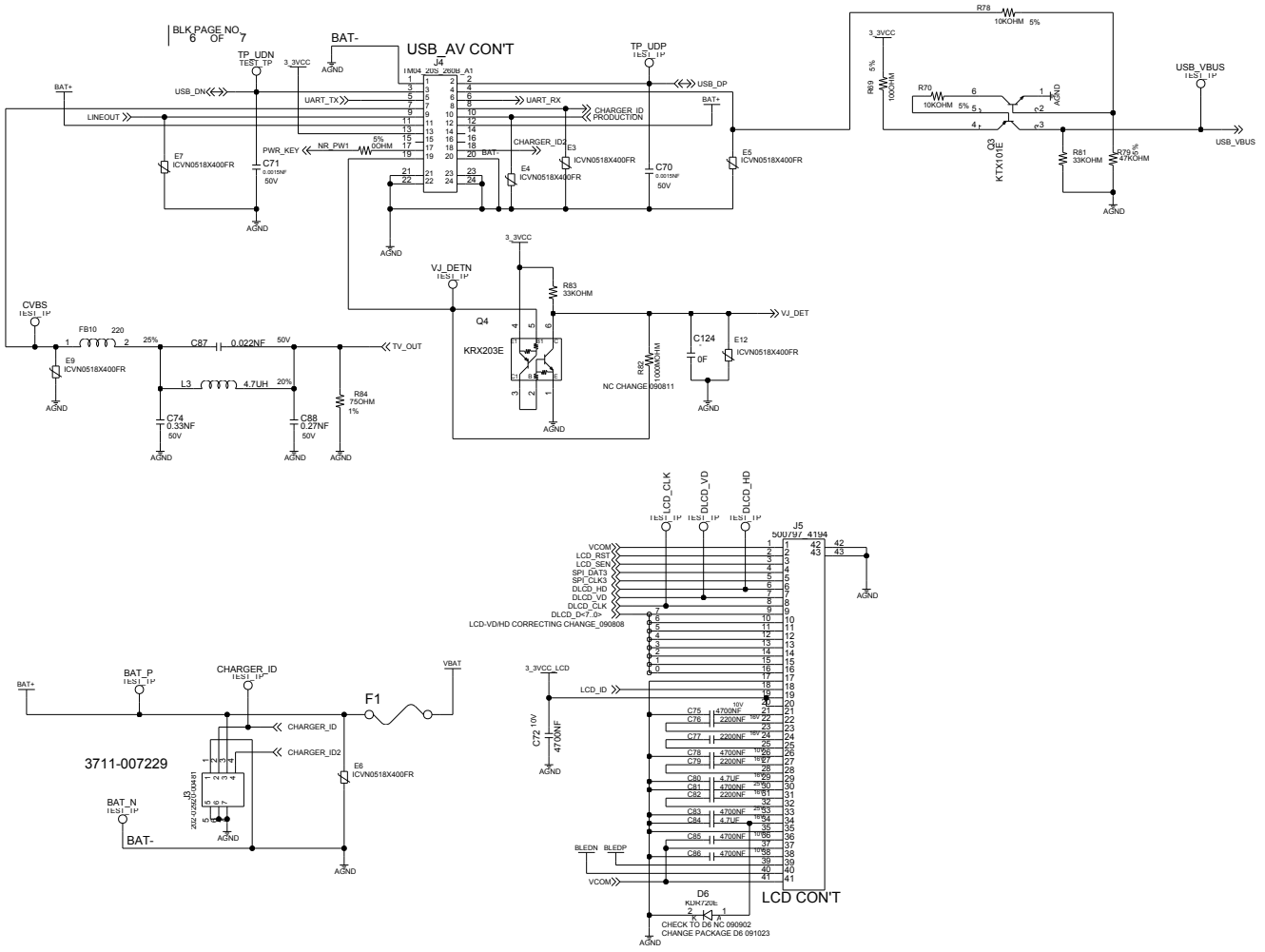
8-4 Main PCB-4



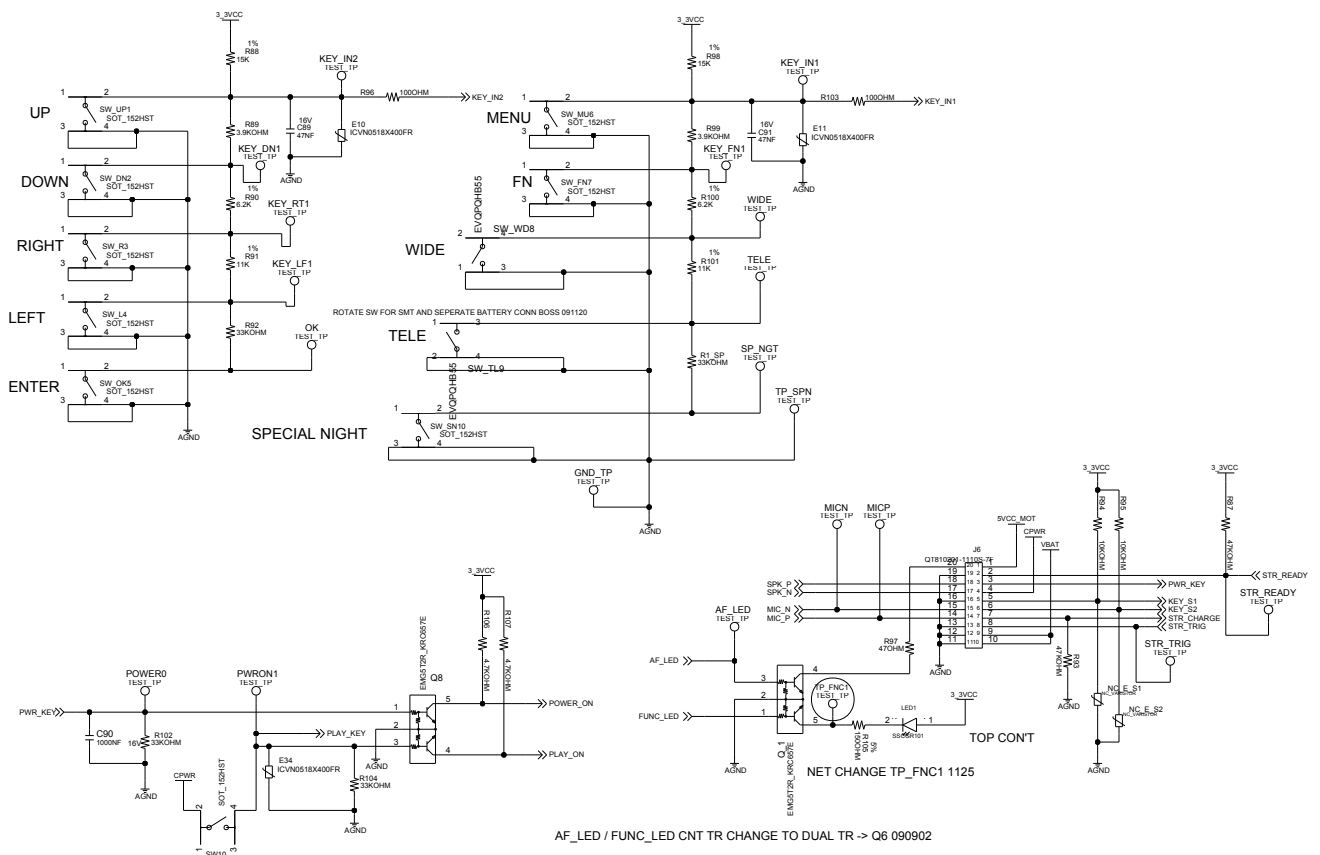
8-5 Main PCB-5



8-6 Main PCB-6



8-7 Main PCB-7



Memo