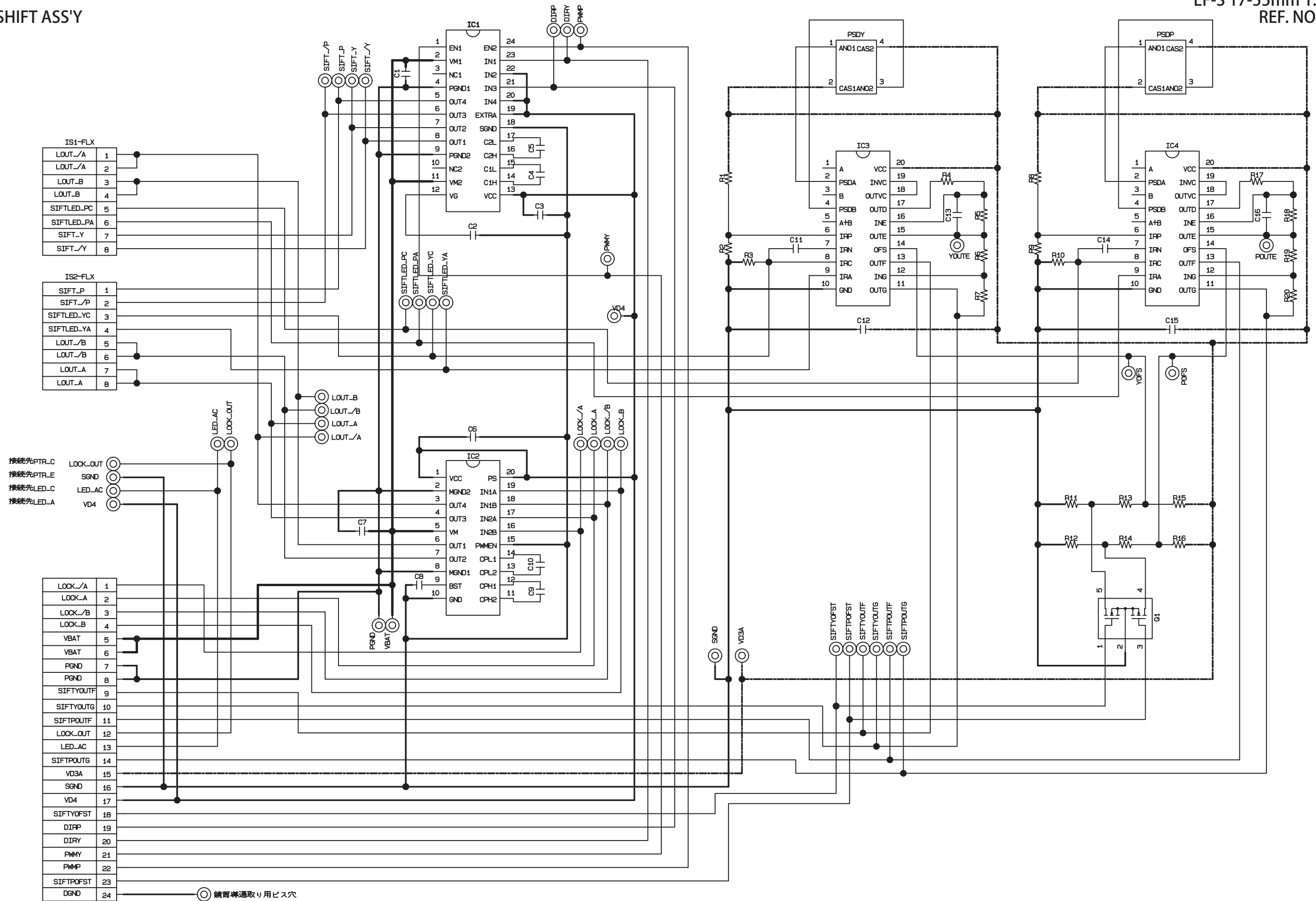


1.2 SHIFT ASS'Y

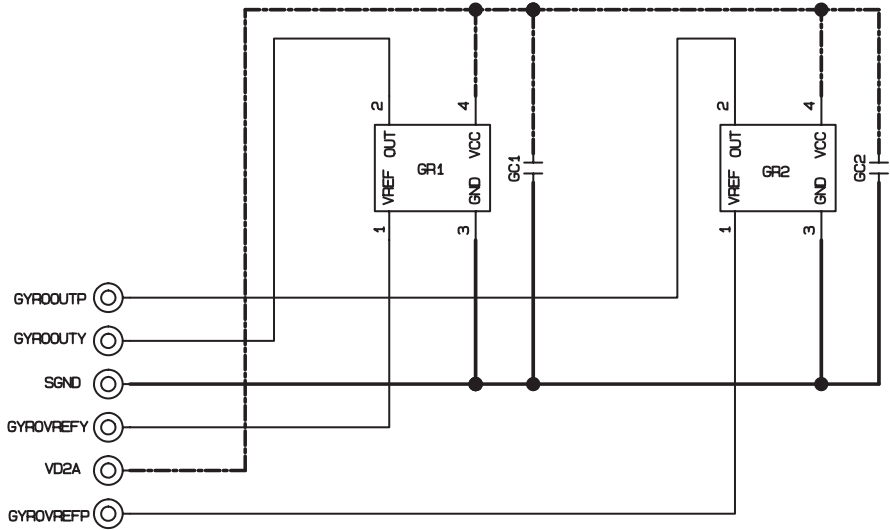
EF-S 17-55mm 1:2.8 IS USM
REF. NO. C21-0311



接続先PTR_C LOCK_OUT
接続先PTR_E SGND
接続先LED_C LED_AC
接続先LED_A VD4

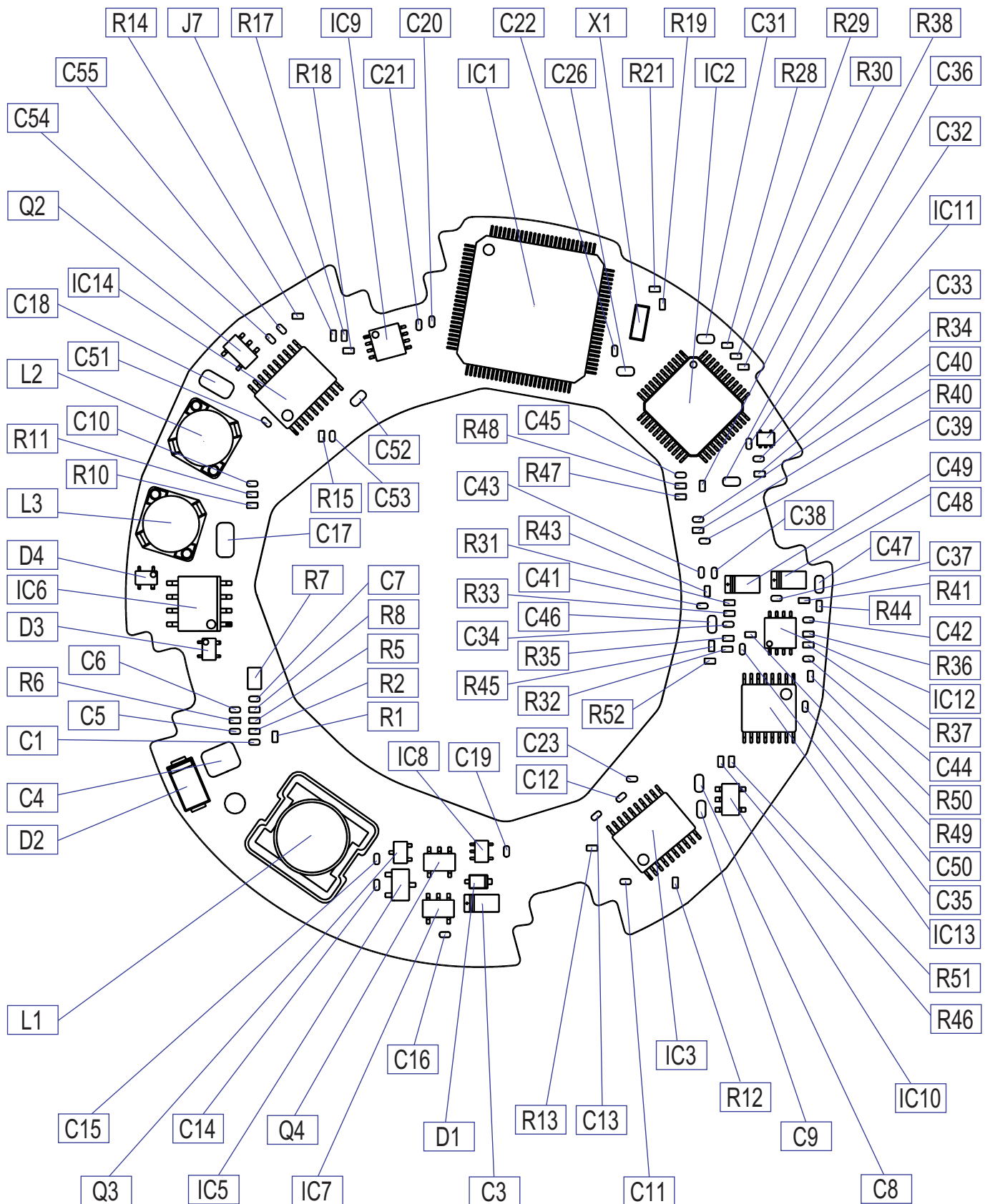
鏡筒導通取り用ビス穴

1.3 GYRO ASS'Y

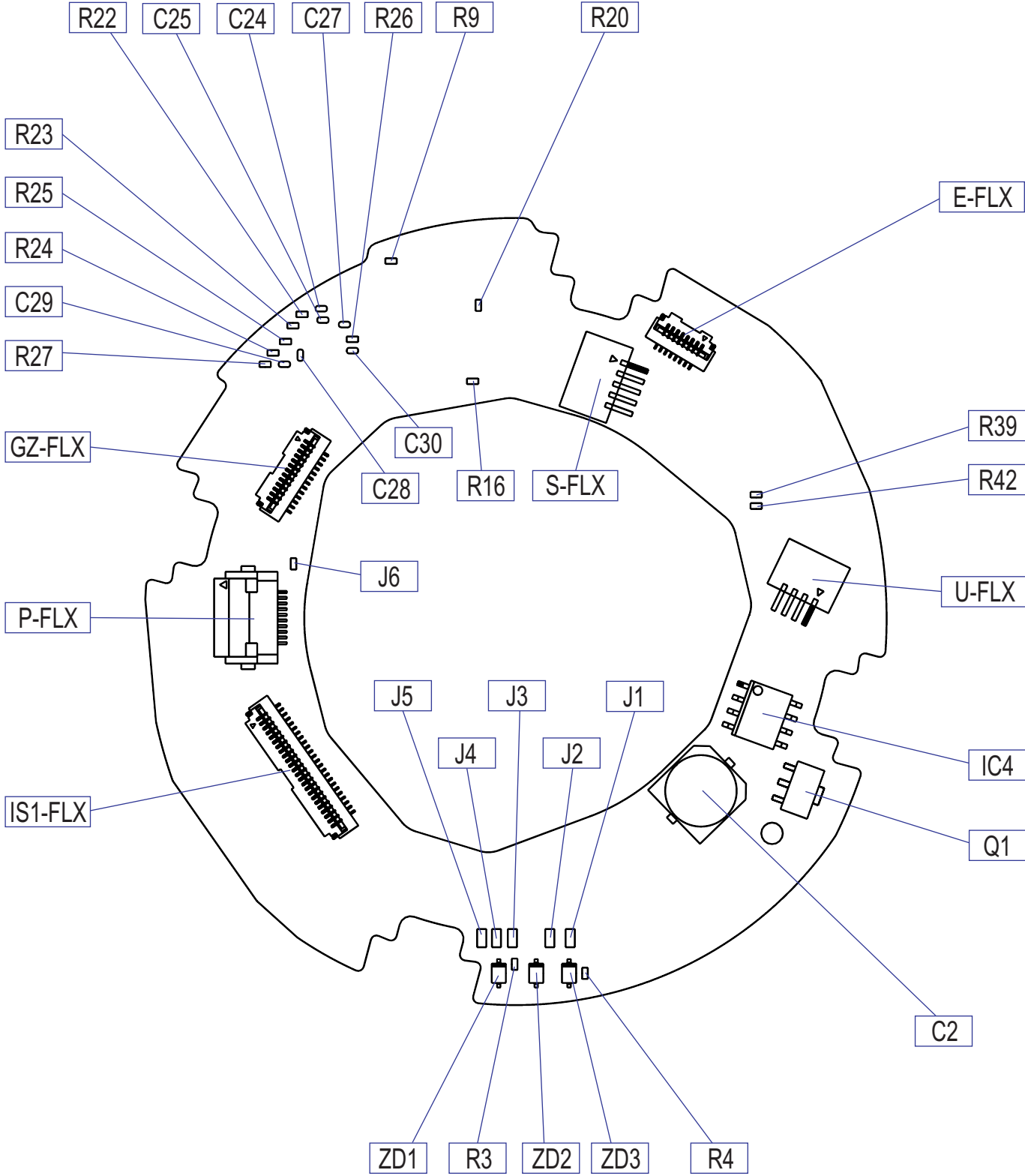


2. PCB DIAGRAM
2.1 MAIN PCB ASS'Y-1

EF-S 17-55mm 1:2.8 IS USM
REF. NO. C21-0311



2.2 MAIN PCB ASS'Y-2



2.3 MAIN PCB ASS'Y-3

