



ISP1716A

ULPI Hi-Speed USB transceiver

Rev. 02 — 21 July 2010

Product data sheet

1. General description

The ISP1716A is a UTMI+ Low Pin Interface (ULPI) Hi-Speed Universal Serial Bus (USB) transceiver. It is fully compliant with *Universal Serial Bus Specification Rev. 2.0*, *On-The-Go Supplement to the USB 2.0 Specification Rev. 1.3*, and *UTMI+ Low Pin Interface (ULPI) Specification Rev. 1.1*.

The ISP1716A exhibits superior receiver sensitivity and can tolerate noisy signals on the USB data path. The ISP1716A is designed to consume low power in high-speed, full-speed, and power-down operating modes.

The ISP1716A can transmit and receive USB data at high-speed (480 Mbit/s), full-speed (12 Mbit/s), and low-speed (1.5 Mbit/s). It provides a pin-optimized, physical layer front-end attachment to the USB host, peripheral, or OTG controller with Single Data Rate (SDR) ULPI link. The ISP1716A supports transparent UART mode in which the DP and DM lines act as UART transmit and receive.

The targeted applications include portable electronic devices, such as digital still cameras, mobile phones, digital video cameras, Personal Digital Assistants (PDAs), and digital audio players. The ISP1716A allows USB Application-Specific Integrated Circuits (ASICs), Programmable Logic Devices (PLDs), or any system chip set to interface with the USB physical layer through a 12-pin (SDR) interface.

The ISP1716A can interface to devices with digital I/O voltages in the range of 3.0 V to 3.6 V.

The ISP1716A is available in TFBGA36 package.

2. Features

- Fully compliant with:
 - ◆ USB: *Universal Serial Bus Specification Rev. 2.0*
 - ◆ OTG: *On-The-Go Supplement to the USB 2.0 Specification Rev. 1.3*
 - ◆ ULPI: *UTMI+ Low Pin Interface (ULPI) Specification Rev. 1.1*
- ULPI PHY interface to the USB host, peripheral, or OTG cores; optimized for portable devices or system ASICs with built-in ULPI link
- Complete USB OTG physical front-end that supports Host Negotiation Protocol (HNP) and Session Request Protocol (SRP)
- Supports external charge pump or external V_{BUS} power switch
- Flexible system integration with very low power consumption; optimized for portable devices
 - ◆ 3.0 V to 4.5 V input supply voltage range
 - ◆ Internal voltage regulator supplies 2.7 V or 3.3 V and 1.8 V



- ◆ 3.0 V to 3.6 V I/O interface voltage; separate I/O voltage supply pins minimize crosstalk
- ◆ Save power by powering down internal regulators when $V_{CC(I/O)}$ is not present or when the chip select is deasserted
- ◆ Typical operating current of 15 mA for full-speed and 34 mA for high-speed
- ◆ Typical current consumption of 70 μ A in suspend mode and 0.5 μ A in power-down mode
- ◆ 3-state ULPI interface by the CHIP_SEL_N pin, allowing bus reuse by other applications
- Highly optimized solution with full compliance to *UTMI+ Low Pin Interface (ULPI) Specification Rev. 1.1*
 - ◆ 60 MHz, 12-pin interface between the core and the transceiver, including an 8-bit SDR bus
 - ◆ SDR interface selection using a hardware pin
 - ◆ Supports 60 MHz output clock configuration
 - ◆ Supports input clock frequencies of 13 MHz, 24 MHz, 26 MHz, or 27 MHz
 - ◆ Clock frequency selection using a hardware pin
 - ◆ 3-pin or 6-pin full-speed or low-speed serial mode
 - ◆ Internal Power-On Reset (POR) circuit
- UART interface for serial applications:
 - ◆ Supports transparent UART signaling on the DP and DM pins for UART accessory applications
 - ◆ 2.7 V UART signaling on the DP and DM pins
 - ◆ Enters UART mode by register setting
 - ◆ Exits UART mode by asserting STP, or by toggling the CHIP_SEL_N pin
- Full industrial grade operating temperature range from $-40\text{ }^{\circ}\text{C}$ to $+85\text{ }^{\circ}\text{C}$
- ESD compliance:
 - ◆ JESD22-A114F ± 2 kV contact Human Body Model (HBM)
 - ◆ JESD22-C101-D Charged Device Model (CDM) ± 250 V on pin CLKIN and ± 500 V on all other pins
 - ◆ IEC 61000-4-2 ± 8 kV contact on the DP and DM pins
- Available in small TFBGA36 Restriction of Hazardous Substances (RoHS) compliant, halogen-free and lead-free packages

3. Applications

- Mobile phone
- Digital still camera
- Digital TV
- Digital Video Disc (DVD) recorder
- External storage device
- MP3 player
- PDA
- Printer
- Scanner
- Set-Top Box (STB)
- Video camera

4. Ordering information

Table 1. Ordering information

| Commercial product code | Package description | Packing | Minimum sellable quantity |
|-------------------------|---|------------------------------------|---------------------------|
| ISP1716A0ETTM | TFBGA36; 36 balls; body 3.5 × 3.5 × 0.8 (mm) | 13 inch tape and reel non-dry pack | 4000 pieces |

5. Marking

Table 2. Marking codes

| Commercial product code | Marking code ^[1] |
|-------------------------|-----------------------------|
| ISP1716A0ETTM | 1716A |

[1] The package marking is the first line of text on the IC package and can be used for IC identification.

6. Block diagram

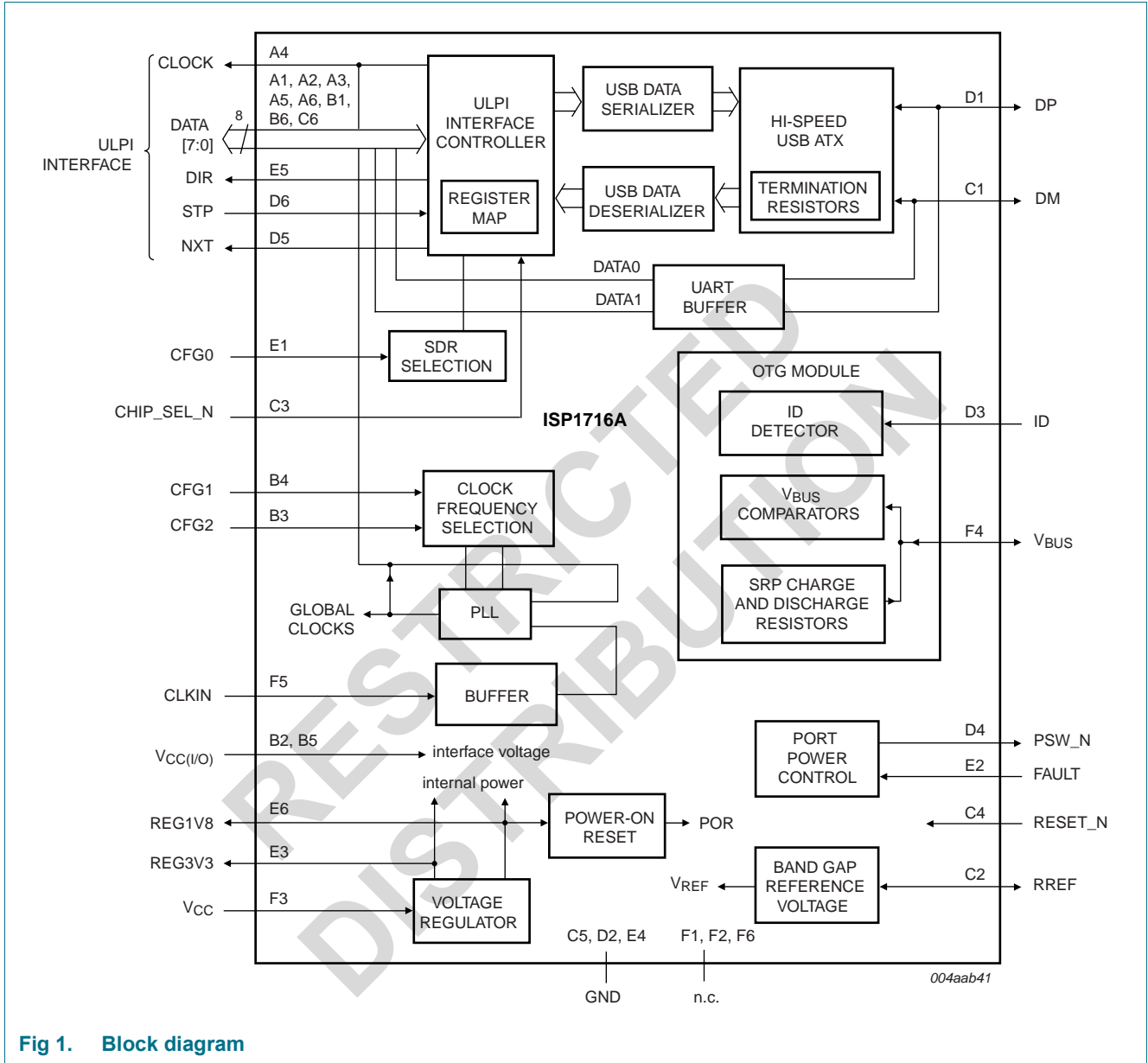
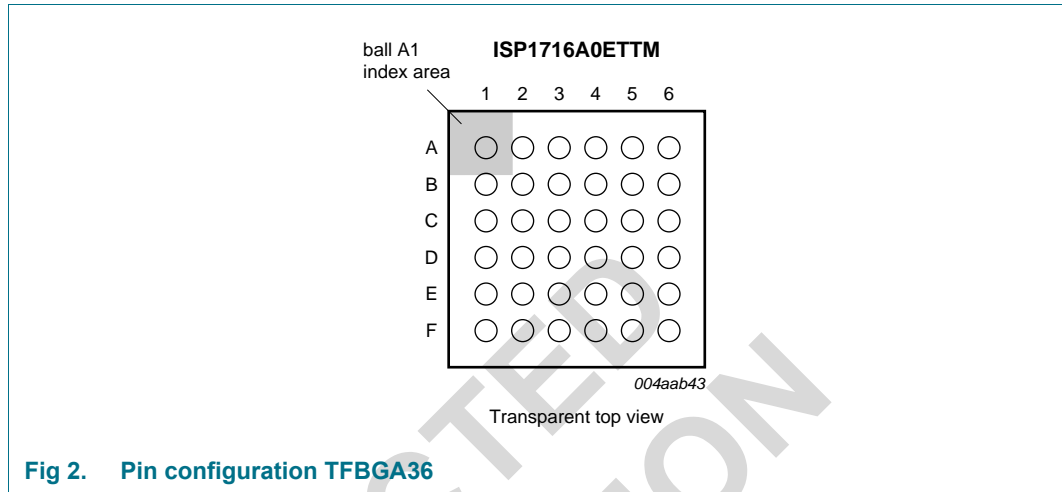


Fig 1. Block diagram

7. Pinning information

7.1 Pinning



7.2 Pin description

Table 3. Pin description

| Symbol ^[1] | Pin | Type ^[2] | Description ^[3] |
|-----------------------|-----|---------------------|--|
| DATA1 | A1 | I/O | ULPI data pin 1 3-state output; plain input |
| DATA2 | A2 | I/O | ULPI data pin 2 3-state output; plain input |
| DATA3 | A3 | I/O | ULPI data pin 3 3-state output; plain input |
| CLOCK | A4 | O | 60 MHz clock output when clock is applied on the CLKIN pin 3-state output |
| DATA4 | A5 | I/O | ULPI data pin 4 3-state output; plain input |
| DATA5 | A6 | I/O | ULPI data pin 5 3-state output; plain input |
| DATA0 | B1 | I/O | ULPI data pin 0 3-state output; plain input |
| V _{CC(I/O)} | B2 | P | input I/O supply voltage; 3.0 V to 3.6 V; a 0.1 μF decoupling capacitor is recommended |
| CFG2 | B3 | I | select clock frequency with CFG1; see Table 6 plain input |
| CFG1 | B4 | I | select clock frequency with CFG2; see Table 6 plain input |
| V _{CC(I/O)} | B5 | P | input I/O supply voltage; 3.0 V to 3.6 V; a 0.1 μF decoupling capacitor is recommended |

Table 3. Pin description ...continued

| Symbol ^[1] | Pin | Type ^[2] | Description ^[3] |
|-----------------------|------------|---------------------|--|
| DATA6 | B6 | I/O | ULPI data pin 6 3-state output; plain input |
| DM | C1 | AI/O | connect to the D– pin of the USB connector <ul style="list-style-type: none"> • USB mode: D– input or output • UART mode: TXD output |
| RREF | C2 | AI/O | resistor reference; connect through a 12 kΩ ± 1% resistor to GND |
| CHIP_SEL_N | C3 | I | active-LOW chip select input; when this pin is not in use, connect it to GND plain input |
| RESET_N | C4 | I | active-LOW, asynchronous reset input; when this pin is not in use, connect it to V _{CC(I/O)} plain input |
| GND | C5, D2, E4 | - | ground |
| DATA7 | C6 | I/O | ULPI data pin 7 3-state output; plain input |
| DP | D1 | AI/O | connect to the D+ pin of the USB connector <ul style="list-style-type: none"> • USB mode: D+ input or output • UART mode: RXD input <p>During UART mode, an internal 125 kΩ ± 20% pull-up resistor is present on this pin.</p> |
| ID | D3 | I | identification (ID) pin of the micro-USB connector; if this pin is not in use, connect it directly to the REG3V3 pin (an internal 400 kΩ pull-up resistor is present on this pin) plain input; TTL |
| PSW_N | D4 | OD | active-LOW external V _{BUS} power switch or external charge pump enable open-drain output; 4 mA current sinking capability; 5 V tolerant |
| NXT | D5 | O | ULPI next signal 3-state output |
| STP | D6 | I | ULPI stop signal plain input |
| CFG0 | E1 | I | SDR: connect this pin to GND |
| FAULT | E2 | I | input for the V _{BUS} digital overcurrent or fault detector signal; if this pin is not in use, connect it to GND plain input; 5 V tolerant |
| REG3V3 | E3 | P | 3.3 V regulator output for USB mode or 2.7 V regulator output for UART mode; requires parallel 0.1 μF and 4.7 μF capacitors; internally powers ATX and other analog circuits; must not be used to power external circuits |
| DIR | E5 | O | ULPI direction signal 3-state output |
| REG1V8 | E6 | P | 1.8 V regulator output; requires parallel 0.1 μF and 4.7 μF capacitors; internally powers the digital core; must not be used to power external circuits |
| n.c. | F1, F2, F6 | - | not connected; leave it open |

Table 3. Pin description ...continued

| Symbol ^[1] | Pin | Type ^[2] | Description ^[3] |
|-----------------------|-----|---------------------|---|
| V _{CC} | F3 | P | input supply voltage or battery source; 3.0 V to 4.5 V Remark: Below 3.0 V, USB full-speed and low-speed transactions are not guaranteed to work, though some devices may work with the ISP1716A at these voltages. |
| V _{BUS} | F4 | AI/O | connect to the V _{BUS} pin of the USB connector; if this pin is not in use, leave it open (R _{I(idle)(VBUS)} is present on this pin) |
| CLKIN | F5 | AI/O | clock input; frequency depends on status on the CFG1 and CFG2 pins; see Table 50 , Table 62 , and Table 64 |

[1] Symbol names ending with underscore N (for example, NAME_N) indicate active-LOW signals.

[2] I = input; O = output; I/O = digital input/output; OD = open-drain output; AI/O = analog input/output; P = power supply or ground pin.

[3] A detailed description of these pins can be found in [Section 8.12](#).

RESTRICTED
DISTRIBUTION

8. Functional description

8.1 ULPI interface controller

The ISP1716A provides a 12-pin interface that is compliant with *UTMI+ Low Pin Interface (ULPI) Specification Rev. 1.1*. This interface must be connected to a USB link.

The ULPI interface controller provides the following functions:

- ULPI-compliant interface and register set
- Allows full control over the USB peripheral or host functionality
- Parses the USB transmit and receive data
- Prioritizes the USB receive data, USB transmit data, interrupts, and register operations
- Low-power mode
- Transparent UART mode
- 3-pin serial mode
- 6-pin serial mode
- Generates RXCMDs (status updates)
- Maskable interrupts

For more information on the ULPI protocol, see [Section 10](#).

8.2 USB serializer and deserializer

The USB data serializer prepares data to transmit on the USB bus. To transmit data, the USB link sends a transmit command and data on the ULPI bus. The serializer performs parallel-to-serial conversion, bit stuffing, and NRZI encoding. For packets with a PID, the serializer adds a SYNC pattern to the start of the packet, and an EOP pattern to the end of the packet. When the serializer is busy and cannot accept any more data, the ULPI interface controller deasserts NXT.

The USB data deserializer decodes data received from the USB bus. When data is received, the deserializer strips the SYNC and EOP patterns, and then performs serial-to-parallel conversion, NRZI decoding, and discarding of stuff bits on the data payload. The ULPI interface controller sends data to the USB link by asserting DIR, and then asserting NXT whenever a byte is ready. The deserializer also detects various receive errors, including bit stuff errors, elasticity buffer underrun or overrun, and byte-alignment errors.

8.3 Hi-Speed USB (USB 2.0) ATX

The Hi-Speed USB ATX block is an analog front-end containing the circuitry needed to transmit, receive, and terminate the USB bus in high-speed, full-speed, and low-speed, for USB peripheral, host, or OTG implementations. The following circuitry is included:

- Differential drivers to transmit data at high-speed, full-speed, and low-speed
- Differential and single-ended receivers to receive data at high-speed, full-speed, and low-speed

- Squelch circuit to detect high-speed bus activity
- High-speed disconnect detector
- 45 Ω high-speed bus terminations on pins DP and DM
- 1.5 k Ω pull-up resistor on pin DP
- 15 k Ω bus terminations on pins DP and DM

For details on controlling resistor settings, see [Table 13](#).

8.4 Voltage regulator

The ISP1716A contains a built-in voltage regulator that conditions the V_{CC} supply for use inside the ISP1716A. The voltage regulator:

- Supports input supply range $3.0\text{ V} < V_{CC} < 4.5\text{ V}$.
- Can be supplied from a battery with the voltage range mentioned above.
- Supplies internal digital circuitry with 1.8 V and analog circuitry with 3.3 V or 2.7 V.
- In USB mode, automatically bypasses the internal 3.3 V regulator when $V_{CC} < 3.5\text{ V}$: the internal analog circuitry directly draws power from the V_{CC} pin. In UART mode, the bypass switch will be disabled.
- Will be shut down when $V_{CC(I/O)}$ is not present or when chip select is deasserted.

8.5 PLL

The ISP1716A has a Phase-Locked Loop (PLL) for clock generation. The clock frequencies supported are 13 MHz, 24 MHz, 26 MHz, or 27 MHz.

The PLL takes the square wave clock and multiplies or divides it into various frequencies for internal use.

The PLL produces the following frequencies:

- 1.5 MHz for low-speed USB data
- 12 MHz for full-speed USB data
- 60 MHz clock for the ULPI interface controller
- 480 MHz for high-speed USB data
- Other internal frequencies for data conversion and data recovery

8.6 UART buffer

The UART buffer includes circuits to support the transparent UART signaling between the DATA0 or DATA1 pin and the DM or DP pin.

When the ISP1716A is put into UART mode, it acts as a voltage level shifter between the following pins:

- From DATA0 ($V_{CC(I/O)}$ level) to DM (2.7 V level) for the UART TXD signaling path.
- From DP (2.7 V level) to DATA1 ($V_{CC(I/O)}$ level) for the UART RXD signaling path.

8.7 OTG module

This module contains several sub-blocks that provide all the functionality required by the USB OTG specification. Specifically, it provides the following circuits:

- The ID detector to sense the ID pin of the micro-USB cable. The ID pin dictates which device is initially configured as a host and which as a peripheral.
- V_{BUS} comparators to determine the V_{BUS} voltage level. This is required for the V_{BUS} detection, SRP, and HNP.
- Resistors to temporarily charge and discharge V_{BUS} . This is required for SRP.

8.7.1 ID detector

The ID detector detects which end of the micro-USB cable is plugged in. The ID detector must first be enabled by setting the ID_PULLUP register bit to logic 1. If the ISP1716A senses a state of the ID pin that is different from the previously reported state, an RXCMD status update will be sent to the USB link, or an interrupt will be asserted.

- If the micro-B end of the cable is plugged in (or nothing is plugged in), the ISP1716A will report that ID_GND is logic 1. The USB link must be in the B-device state.
- If the micro-A end of the cable is plugged in, the ISP1716A will report that ID_GND is logic 0. The USB link must be in the A-device state.

The ID pin has a weak pull-up resistor ($R_{weakPU(ID)}$) permanently enabled to avoid the floating condition.

8.7.2 V_{BUS} comparators

The ISP1716A provides three comparators to detect the V_{BUS} voltage level. The comparators are explained in the following subsections.

8.7.2.1 V_{BUS} valid comparator

This comparator is used by hosts and A-devices to determine whether the voltage on V_{BUS} is at a valid level for operation. The ISP1716A minimum threshold for the V_{BUS} valid comparator is 4.4 V. Any voltage on V_{BUS} below this threshold is considered invalid. During power-up, it is expected that the comparator output will be ignored.

8.7.2.2 Session valid comparator

The session valid comparator is a TTL-level input that determines when V_{BUS} is high enough for a session to start. Peripherals, A-devices, and B-devices use this comparator to detect when a session is started. The A-device also uses this comparator to determine when a session is completed. The session valid threshold of the ISP1716A is between 0.8 V to 2.0 V.

8.7.2.3 Session end comparator

The session end comparator determines when V_{BUS} is below the B-device session end threshold of 0.2 V to 0.8 V. The B-device uses this threshold to determine when a session has ended.

8.7.3 SRP charge and discharge resistors

The ISP1716A provides on-chip resistors for short-term charging and discharging of V_{BUS} . These are used by the B-device to request a session, prompting the A-device to restore the V_{BUS} voltage. First, the B-device makes sure that V_{BUS} is fully discharged from the previous session by setting the DISCHRG_VBUS register bit to logic 1 and waiting for SESS_END to be logic 1. Then the B-device charges V_{BUS} by setting the CHRГ_VBUS register bit to logic 1. The A-device sees that V_{BUS} is charged above the session valid threshold and starts a session by turning on the V_{BUS} voltage.

8.8 Port power control

For an OTG or host application, the ISP1716A uses the PSW_N pin to control the external power switch for the V_{BUS} 5 V supply. The overcurrent detector output of the external power switch can be connected to the FAULT pin of the ISP1716A to indicate to the ULPI link the V_{BUS} overcurrent status. For the connection scheme, see [Figure 3](#).

When the FAULT pin is not used, connect it to GND.

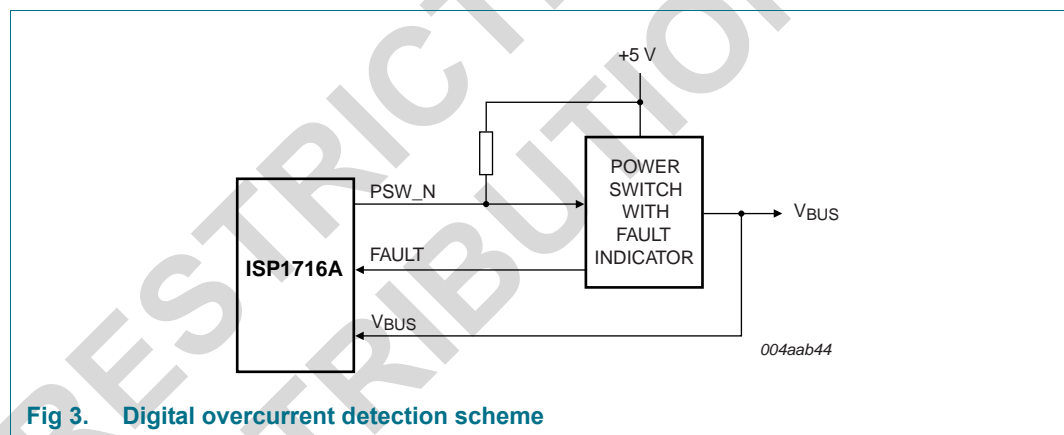


Fig 3. Digital overcurrent detection scheme

8.9 Band gap reference voltage

The band gap circuit provides a stable internal voltage reference to bias the analog circuitry. This band gap circuit requires an accurate external reference resistor. Connect a $12\text{ k}\Omega \pm 1\%$ resistor between the RREF pin and GND.

8.10 Power-On Reset (POR)

An internal POR pulse is generated when REG1V8 rises above $V_{POR(trip)}$. The internal POR pulse will be generated whenever REG1V8 drops below $V_{POR(trip)}$ for more than $t_{w(REG1V8_L)}$.

To give a better view of the functionality, [Figure 4](#) shows a possible curve of REG1V8. The internal POR starts with logic 0 at t_0 . At t_1 , the detector will see the passing of the trip level so that a POR pulse is generated to reset all internal circuits. If REG1V8 dips from t_2 to t_3 for greater than $t_{w(REG1V8_L)}$, another POR pulse is generated. If the dip from t_4 to t_5 is less than $t_{w(REG1V8_L)}$, the internal POR pulse will not be generated and will remain LOW.

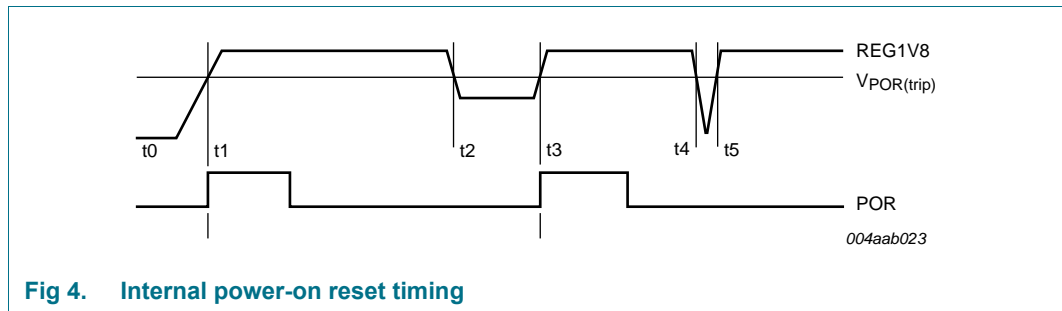


Fig 4. Internal power-on reset timing

8.11 Power-up, reset, and bus idle sequence

[Figure 5](#) shows a typical start-up sequence.

On power-up, the ISP1716A performs an internal power-on reset and asserts DIR to indicate to the link that the ULPI bus cannot be used. When the internal PLL is stable, the ISP1716A deasserts DIR and drives a 60 MHz clock on the CLOCK pin. The power-up time depends on the V_{CC} supply rise time and the PLL start-up time $t_{\text{startup(PLL)}}$. When DIR is deasserted, the link must drive the data bus to a valid level. By default, the link must drive data to LOW. Before beginning USB packets, the link must set the RESET bit in the FUNC_CTRL register (see [Section 11.5](#)) to reset the ISP1716A. After the RESET bit is set, the ISP1716A will assert DIR until the internal reset completes. The ISP1716A will automatically deassert DIR and clear the RESET bit when the reset has completed. After every reset, an RXCMD is sent to the link to update USB status information. After this sequence, the ULPI bus is ready for use and the link can start USB operations.

If chip select is deasserted, the ISP1716A will be kept in power-down mode. In power-down mode, all ULPI interface pins will be put in 3-state, the internal regulator will be shut down, and the total current consumption in power-down mode will be less than that in low-power mode.

The link can do a hardware reset to the ISP1716A by toggling chip select. The recommended sequence is:

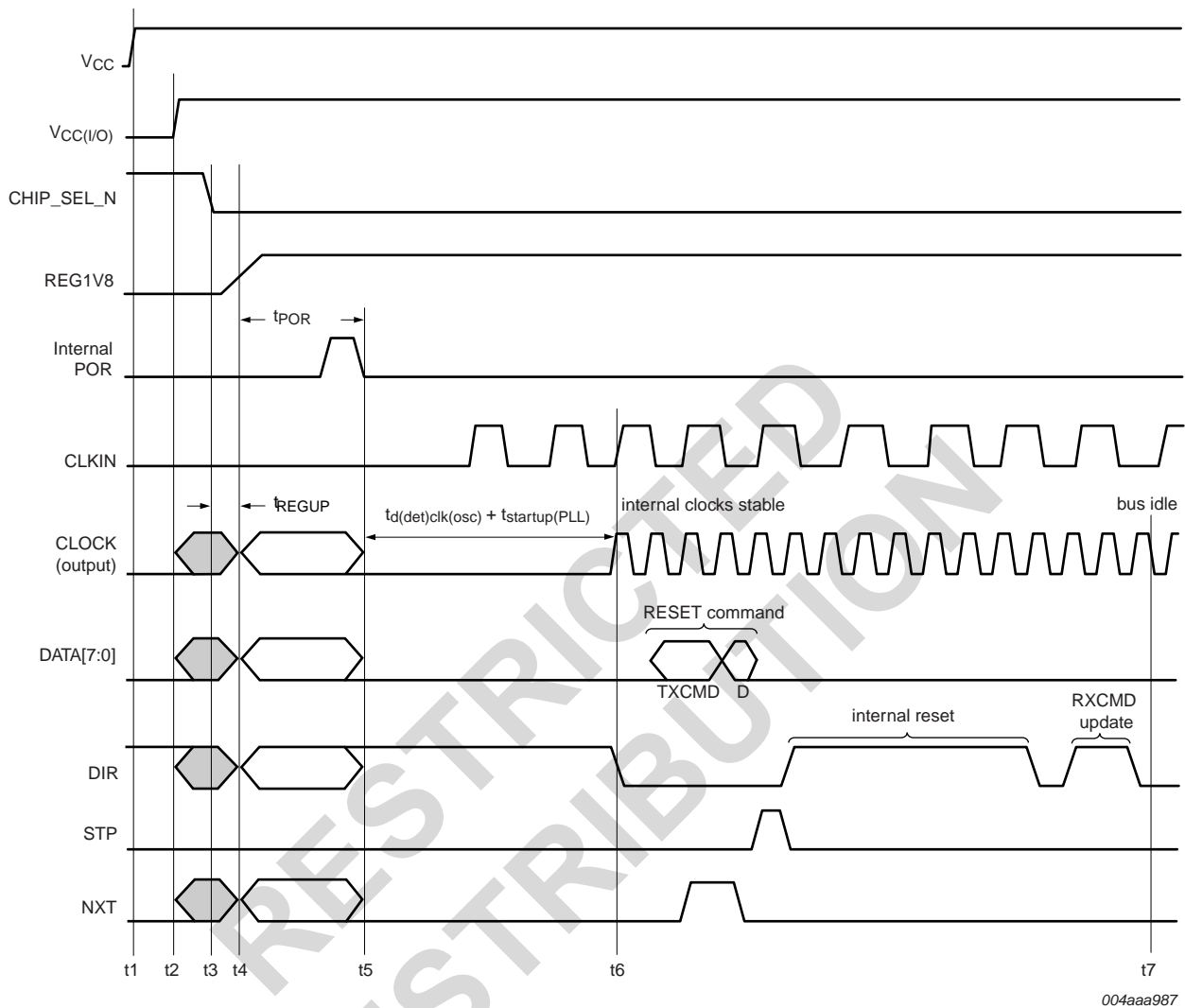
1. Deassert chip select.
2. Wait for at least t_{PWRDN} .
3. Assert chip select.

If the low-power mode is entered when $V_{CC(I/O)}$ is lost, see [Table 7](#).

The recommended power-up sequence for the link is:

1. Apply the V_{CC} and $V_{CC(I/O)}$ voltage.
2. Assert chip select.
3. The link waits for at least $t_{\text{POR}} + t_{\text{REGUP}}$, ignoring all the ULPI pin status.
4. The link may start to detect the DIR status level. If DIR is detected LOW, the link may send a RESET command.

The ULPI interface is ready for use.



t1 = V_{CC} is applied to the ISP1716A.

t2 = V_{CC(I/O)} is turned on. ULPI interface pins CLOCK, DATA[7:0], DIR, and NXT are in 3-state as long as chip select is deasserted.

t3 = Chip select is asserted.

t4 = The ISP1716A regulator powers up and is stable. ULPI pads are not in 3-state and may drive to either LOW or HIGH. It is recommended that the link ignores ULPI pins status during t_{POR}.

t5 = Power-on reset threshold is reached and the POR pulse is generated. After the POR pulse, ULPI pins are driven to a defined level. DIR is driven to HIGH and the other pins are driven to LOW.

t6 = The PLL is stabilized after t_{d(det)clk(osc) + t_{startup(PLL)}. The CLOCK pin starts to output 60 MHz. The DIR pin will transition from HIGH to LOW. The link must drive DATA[7:0] and STP to LOW as the idle state. The link will then issue a reset command to initialize the ISP1716A.}

t7 = The power-up sequence is completed and the ULPI bus interface is ready for use.

Fig 5. Power-up and reset sequence required before the ULPI bus is ready for use

8.11.1 Interface protection

By default, the ISP1716A enables a weak pull-up resistor on STP. If the STP pin is unexpectedly HIGH at any time, the ISP1716A will protect the ULPI interface by enabling weak pull-down resistors on DATA[7:0].

The interface protect feature prevents unwanted activity of the ISP1716A whenever the ULPI interface is not correctly driven by the link. For example, when the link powers up more slowly than the ISP1716A.

The interface protect feature can be disabled by setting the INTF_PROT_DIS bit to logic 1.

8.11.2 Interface behavior with respect to RESET_N during normal mode

The use of the RESET_N pin is optional. When RESET_N is asserted (LOW), all logic in the ISP1716A will be reset, including the analog circuitry and ULPI registers.

During reset, the link must pull down DATA[7:0] to 00h and drive STP to LOW for one cycle before reset assertion until the next rising edge of the clock after reset deassertion. Otherwise undefined behavior may result. Ensure that there is no glitch or noise on DATA[7:0] during reset. When RESET_N is deasserted (HIGH), 60 MHz clock will start and the link must operate the bus according to the ULPI bus protocol.

[Figure 6](#) shows the ULPI interface behavior when RESET_N is asserted (LOW), and subsequently deasserted (HIGH). The behavior of [Figure 6](#) applies only when chip select is asserted. If RESET_N is not used, it must be connected to V_{CC(I/O)}.

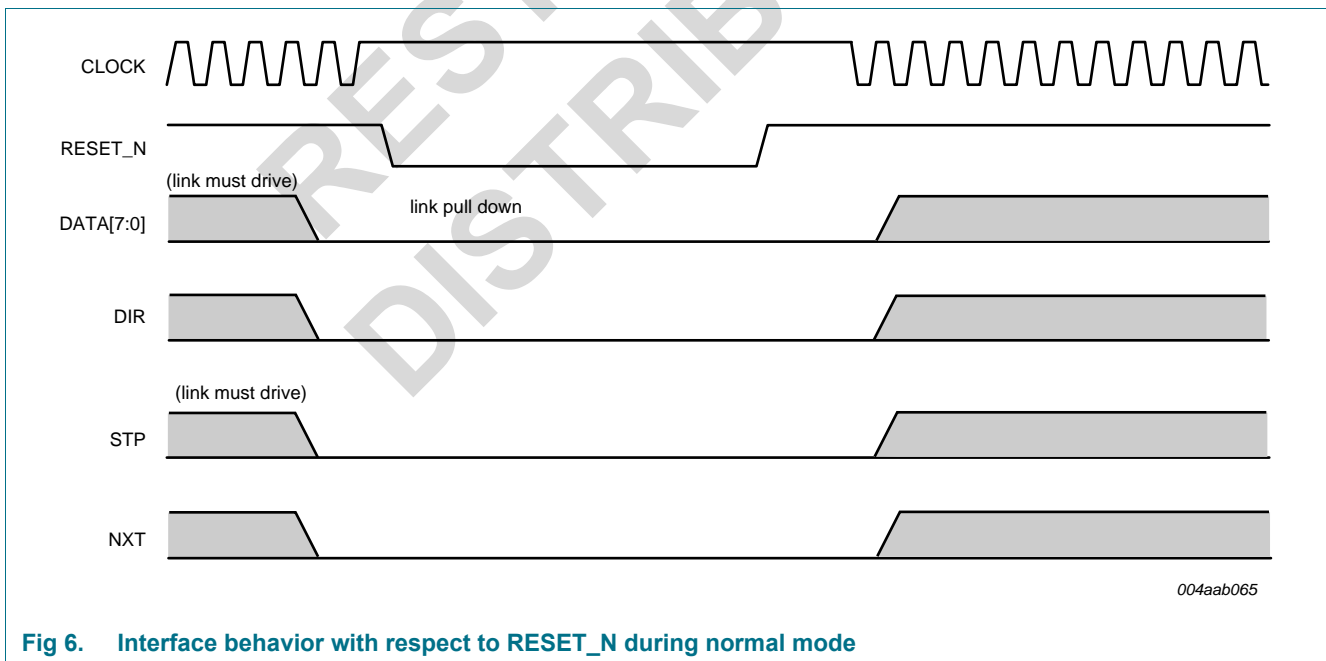


Fig 6. Interface behavior with respect to RESET_N during normal mode

8.11.3 Interface behavior with respect to chip select

The use of chip select as a power-down control signal is optional. When chip select is deasserted, the ISP1716A will 3-state ULPI pins and power-down the internal circuitry. If chip select is not used as a power-down control signal, CHIP_SEL_N must be connected to LOW. [Figure 7](#) shows the ULPI interface behavior when chip select is asserted and subsequently deasserted.

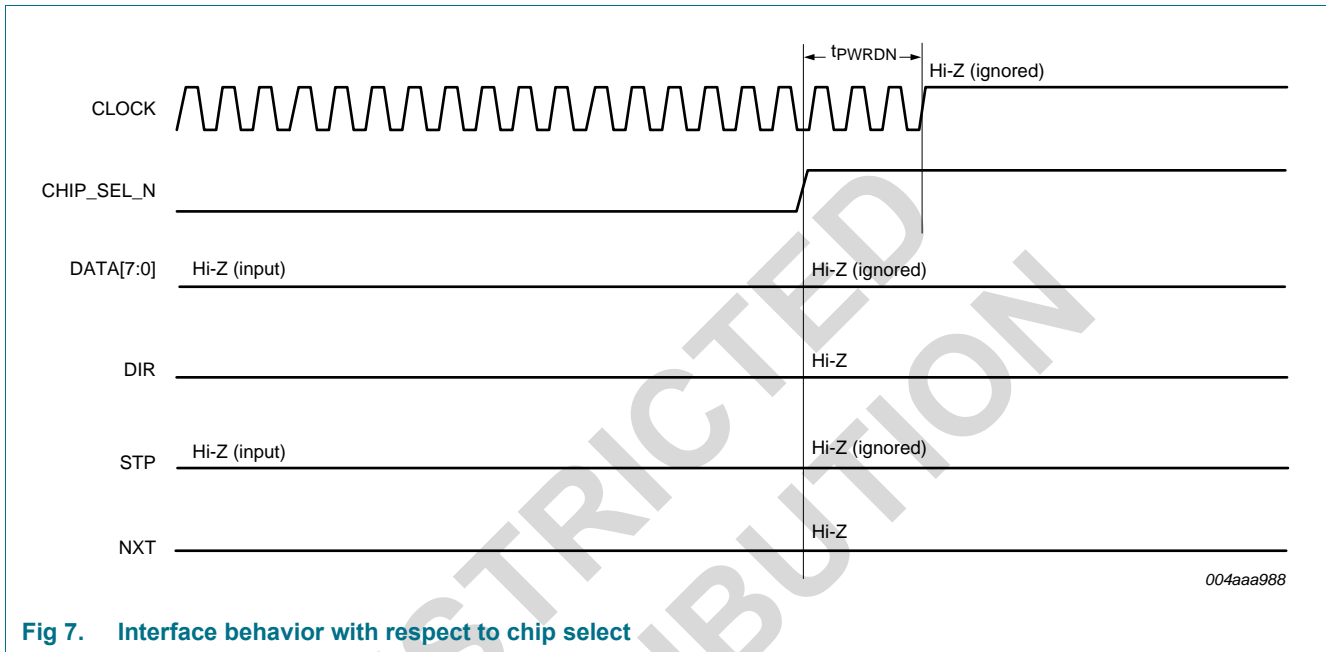


Fig 7. Interface behavior with respect to chip select

8.12 Detailed description of pins

8.12.1 DATA[7:0]

Bidirectional data bus pins. The USB link must drive DATA[7:0] to LOW when the ULPI bus is idle. When the link has data to transmit to the PHY, it drives a nonzero value. Weak pull-down resistors are incorporated into DATA[7:0] pins as part of the interface protect feature. For details, see [Section 8.11.1](#).

DATA[7:0] pins can also be 3-stated when chip select is deasserted.

These pins can be reconfigured to carry various data types when the chip is not in synchronous mode. For details, see [Section 9.2](#).

8.12.2 V_{CC(I/O)}

The input supply power pin that sets the I/O voltage level. A 0.1 μ F decoupling capacitor is recommended on each V_{CC(I/O)} pin. V_{CC(I/O)} powers the on-chip pads of the following pins:

- CFG1
- CFG2
- CHIP_SEL_N
- CLOCK
- DATA[7:0]

- DIR
- NXT
- STP
- RESET_N

8.12.3 RREF

Resistor reference analog I/O pin. A $12\text{ k}\Omega \pm 1\%$ resistor must be connected between the RREF pin and GND. This provides an accurate voltage reference that biases internal analog circuitry. Less accurate resistors cannot be used. It will affect the biasing current for analog circuits, thus the USB signal quality.

8.12.4 DP and DM

When the ISP1716A is in USB mode, the DP pin functions as the USB data plus line, and the DM pin functions as the USB data minus line.

When the ISP1716A is in transparent UART mode, the DP pin functions as the UART RXD input pin, and the DM pin functions as the UART TXD output pin.

The DP and DM pins must be connected to the D+ and D- pins of the USB receptacle.

8.12.5 CFG0

This input pin is used to select the SDR interface. For the SDR interface, connect this pin to GND.

8.12.6 V_{CC}

Main input supply voltage for the ISP1716A. The ISP1716A operates correctly when V_{CC} is between 3.0 V and 4.5 V. A 0.1 μF decoupling capacitor is recommended.

8.12.7 ID

For OTG applications, the ID (identification) pin is connected to the ID pin of the micro-AB receptacle. As defined in *On-The-Go Supplement to the USB 2.0 Specification Rev. 1.3*, the ID pin dictates the initial role of the link. If ID is detected as HIGH, the link must assume the role of a peripheral. If ID is detected as LOW, the link must assume a host role. Roles can be swapped at a later time by using HNP.

The ISP1716A provides an internal pull-up resistor ($R_{UP(ID)}$) to sense the state of the ID pin. The pull-up resistor must first be enabled by setting the ID_PULLUP register bit to logic 1. If the state of ID has changed, the ISP1716A will send an RXCMD or interrupt to the link. If the link does not receive any RXCMD or interrupt by time t_{ID} , then the ID state has not changed.

The ISP1716A also provides an internal weak pull-up resistor ($R_{weakPU(ID)}$). This weak pull-up resistor is always enabled to avoid a possible floating condition on the ID pin.

8.12.8 FAULT

This pin is used to detect the V_{BUS} fault condition. If the function is not used, this pin must be connected to ground to avoid floating input.

If an external V_{BUS} overcurrent or fault detection circuit is used, the output fault indicator of that circuit can be connected to the FAULT input pin. The USE_EXT_VBUS_IND bit in the OTG_CTRL register (see [Section 11.7](#)) and the IND_PASSTHRU bit in the INTF_CTRL register (see [Section 11.6](#)) must be set to logic 1. The ISP1716A will inform the link of V_{BUS} fault events by sending RXCMDs on the ULPI bus.

The FAULT input pin is mapped to the A_VBUS_VLD bit in RXCMD. Any changes to the FAULT input will trigger RXCMD carrying the FAULT condition with A_VBUS_VLD.

For details, see [Section 10.3.2](#) and [Section 10.3.3](#).

8.12.9 REG3V3 and REG1V8

These are output voltage pins from the internal regulator. These supplies are used internally to power digital and analog circuits.

For proper operation of the regulator, pins REG3V3 and REG1V8 must each be connected to a 0.1 μF capacitor in parallel with a 4.7 μF low ESR capacitor.

REG3V3 powers on-chip pads of the following pins:

- CFG0
- DM
- DP
- FAULT
- ID
- PSW_N
- RREF

8.12.10 V_{BUS}

This I/O pin acts as an input to V_{BUS} comparators, and also as a power supply pin for SRP charge and discharge resistors. For details, see [Figure 8](#).

The V_{BUS} pin requires a capacitive load. [Table 4](#) provides the recommended capacitor values for various applications.

Table 4. Recommended V_{BUS} capacitor value

| Application | V_{BUS} capacitor ($C_{V_{BUS}}$) |
|---------------------|---|
| OTG | 1 μF to 6.5 μF , 10 V |
| Standard host | 120 $\mu\text{F} \pm 20\%$, 10 V |
| Standard peripheral | 1 μF to 10 μF , 10 V |

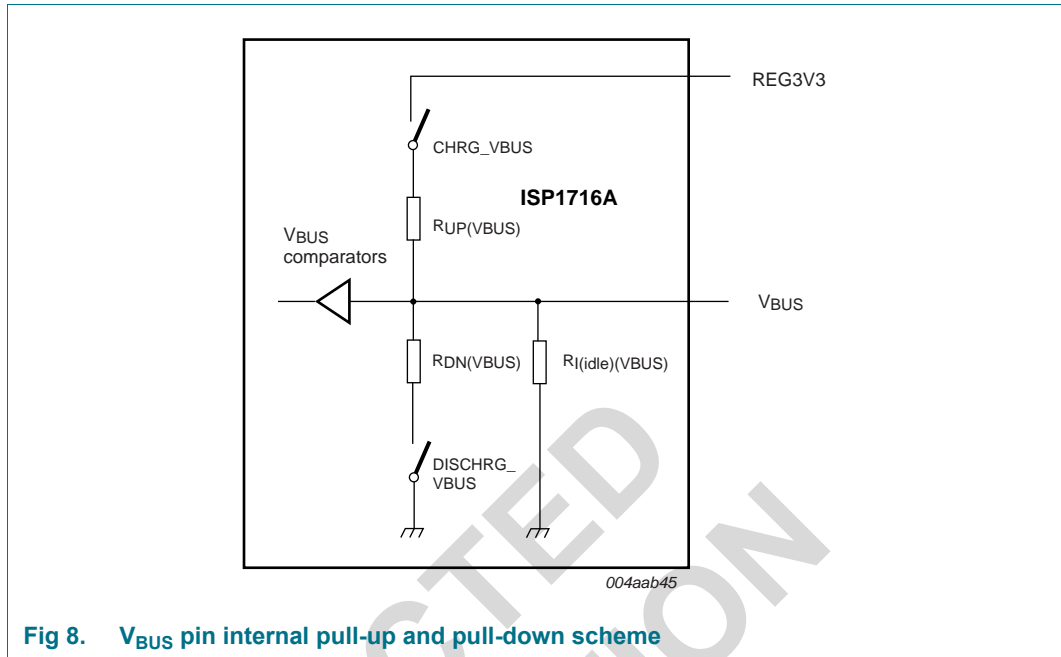


Fig 8. VBUS pin internal pull-up and pull-down scheme

8.12.11 PSW_N

The PSW_N pin is an active-LOW open-drain output pin. It is used to control external charge pumps or VBUS power switches to supply VBUS. When in use, an external pull-up resistor is required. This allows for per-port or ganged power control.

To enable the external power source by driving PSW_N to LOW, the link must set the DRV_VBUS_EXT bit in the OTG_CTRL register (see [Section 11.7](#)) to logic 1.

[Table 5](#) summarizes settings to drive 5 V on VBUS.

Table 5. OTG_CTRL register power control bits

| DRV_VBUS_EXT | Power source used |
|--------------|--|
| 0 | external 5 V VBUS power source disabled (PSW_N = HIGH) |
| 1 | external 5 V VBUS power source enabled (PSW_N = LOW) |

8.12.12 CLKIN

The allowed clock frequency on the CLKIN pin is selectable by the CFG1 and CFG2 pins, as shown in [Table 6](#).

Table 6. Allowed clock frequency on the CLKIN pin

| Pin CFG1 | Pin CFG2 | Allowed clock frequency on the CLKIN pin |
|----------|----------|--|
| LOW | LOW | 27 MHz |
| LOW | HIGH | 26 MHz |
| HIGH | LOW | 24 MHz |
| HIGH | HIGH | 13 MHz |

8.12.13 DIR

ULPI direction output pin. Synchronous to the rising edge of CLOCK. Controls the direction of the data bus. By default, the ISP1716A holds DIR at LOW, causing the data bus to be an input. When DIR is LOW, the ISP1716A listens for data from the link. The ISP1716A pulls DIR to HIGH only when it has data to send to the link, which is for one of two reasons:

- To send data (USB receive or register reads) and RXCMD status updates to the link.
- To block the link from driving the data bus during power-up, reset, and low power (suspend) mode.

This pin can be 3-stated when chip select is deasserted.

8.12.14 RESET_N

An active-LOW asynchronous reset pin that resets all circuits in the ISP1716A. The ISP1716A contains an internal power-on reset circuit, and therefore using the RESET_N pin is optional. If RESET_N is not used, it must be connected to $V_{CC(I/O)}$.

For details on using RESET_N, see [Section 8.11.2](#).

8.12.15 STP

ULPI stop input pin. Synchronous to the rising edge of CLOCK. The link must assert STP to signal the end of a USB transmit packet or a register write operation. When DIR is asserted, the link can optionally assert STP for one clock cycle to abort the ISP1716A, causing it to deassert DIR in the next clock cycle.

8.12.16 NXT

ULPI next data output pin. Synchronous to the rising edge of CLOCK. The ISP1716A holds NXT at LOW, by default. When DIR is LOW and the link is sending data to the ISP1716A, NXT will be asserted to notify the link to provide the next data byte. When DIR is HIGH and the ISP1716A is sending data to the link, NXT will be asserted to notify the link that another valid byte is on the bus. NXT is not used for register read data or the RXCMD status update.

This pin can be 3-stated when chip select is deasserted.

8.12.17 CLOCK

A 60 MHz interface clock to synchronize the ULPI bus. All ULPI pins are synchronous to the rising edge of CLOCK.

8.12.18 CFG1, CFG2

These input pins are used to select the clock frequency. For details, see [Table 6](#).

8.12.19 CHIP_SEL_N

When chip select is deasserted, ULPI pins DATA[7:0], CLOCK, DIR, and NXT are 3-stated and the STP input is ignored; internal circuits are powered-down as well.

When chip select is asserted, the ISP1716A will operate normally.

The CHIP_SEL_N pin must be asserted for the chip select to function. If it is deasserted, the chip will enter power-down mode.

8.12.20 GND

Global ground signal. To ensure the correct operation of the ISP1716A, GND must be soldered to the cleanest available ground.

RESTRICTED
DISTRIBUTION

9. Modes of operation

9.1 Power modes

When both $V_{CC(I/O)}$ and V_{CC} are not powered, there will be no leakage from the V_{BUS} pin to all the remaining pins, including V_{CC} and $V_{CC(I/O)}$. Applying V_{BUS} within the normal range will not damage the ISP1716A chip.

When both V_{CC} and $V_{CC(I/O)}$ are powered and are within the operating voltage range, the ISP1716A will be fully functional as in normal mode.

When $V_{CC(I/O)}$ is powered and the V_{CC} voltage is below the operating range of the ISP1716A, the application system must detect the low voltage condition and set chip select to deassert (that is, put the ISP1716A in power-down mode). This is to protect the ULPI and USB interfaces from driving wrong levels. Under this condition, the $V_{CC(I/O)}$ voltage will not leak to USB pins (V_{BUS} , DP, DM, and ID) and the V_{CC} pin. All the digital pins (see [Section 8.12.2](#)) powered by $V_{CC(I/O)}$ are configured as high-impedance inputs. These pins must be driven to a defined state or terminated by using pull-up or pull-down resistors to avoid a floating input condition. Other pins (see [Section 8.12.9](#)) are not powered.

9.1.1 Normal mode

In normal mode, both V_{CC} and $V_{CC(I/O)}$ are powered. Chip select is asserted. The ISP1716A is fully functional.

9.1.2 Power-down mode

When $V_{CC(I/O)}$ is not present or when chip select is deasserted, the ISP1716A is put into power-down mode. In this mode, internal regulators are powered down to keep the V_{CC} current to a minimum. The voltage on the V_{CC} pin will not leak to the $V_{CC(I/O)}$ pin, the V_{BUS} pin, or both. In this mode, the ISP1716A pin states are given in [Table 7](#).

Table 7. Pin states in power-down mode

| Pin name ^[1] | Pin state when $V_{CC(I/O)}$ is not present | Pin state when $V_{CC(I/O)}$ is present and chip select is deasserted |
|---|---|---|
| V_{CC} | 3.0 V to 4.5 V | 3.0 V to 4.5 V |
| $V_{CC(I/O)}$ | not powered ^[2] | 3.0 V to 3.6 V |
| CHIP_SEL_N | not powered ^[3] | deasserted |
| CFG1, CFG2, RESET_N, CLOCK, STP, NXT, DIR, DATA[7:0] | not powered ^[3] | high-Z |
| CFG0, DP, DM, ID, REG1V8, REG3V3, CLKIN, RREF, PSW_N, FAULT | not powered ^[3] | not powered ^[3] |

[1] When I/O pins are not powered, the input buffer is disabled and will ignore the external input level. The input pins, however, must not be driven by another voltage source to prevent leakage.

[2] Ensure that there is no high-impedance on $V_{CC(I/O)}$ when $V_{CC(I/O)}$ is not present.

[3] These pins must not be externally driven to HIGH. Otherwise, the ISP1716A behavior is undefined and leakage current will occur.

When $V_{CC(I/O)}$ is not present, all the digital pins (see [Section 8.12.2](#)) that are powered by $V_{CC(I/O)}$ are not powered. Other pins (see [Section 8.12.9](#)) are also not powered.

When the ISP1716A is put into power-down mode by disabling chip select, all the digital pins (see [Section 8.12.2](#)) that are powered by $V_{CC(I/O)}$ are configured as high-impedance inputs. These pins must be driven to defined states, or terminated by using pull-up or pull-down resistors to avoid a floating input condition. Other pins (see [Section 8.12.9](#)) are not powered. In this mode, minimum current will be drawn by $V_{CC(I/O)}$ to detect the chip select status.

9.2 ULPI modes

The ISP1716A ULPI interface can be programmed to operate in five modes. In each mode, the signals on the data bus are reconfigured as described in the following subsections. Setting more than one mode will lead to undefined behavior.

9.2.1 Synchronous mode

This is default mode. On power-up, and when CLOCK is stable, the ISP1716A will enter synchronous mode.

In synchronous mode, the link must synchronize all ULPI signals to CLOCK, meeting the set-up and hold times as defined in [Section 15](#).

This mode is used by the link to perform the following tasks:

- High-speed detection handshake (chirp)
- Transmit and receive USB packets
- Read from and write to registers
- Receive USB status updates (RXCMDs) from the ISP1716A

For more information on various synchronous mode protocols, see [Section 10](#).

Table 8. ULPI signal description

| Signal name | Direction on the ISP1716A ^[1] | Signal description |
|-------------|--|--|
| CLOCK | O | 60 MHz interface clock: When a clock is driven into the CLKIN pin, the ISP1716A will drive a 60 MHz output clock. During low-power, serial, and UART modes, the clock can be turned off to save power. |
| DATA[7:0] | I/O | 8-bit data bus: In synchronous mode, the link drives DATA[7:0] to LOW by default. The link initiates transfers by sending a nonzero data pattern called a TXCMD (transmit command). In synchronous mode, the direction of DATA[7:0] is controlled by DIR. Contents of DATA[7:0] lines must be ignored for exactly one clock cycle whenever DIR changes state. This is called a turnaround cycle. Data lines have fixed directions and different meanings in low-power, serial, and UART modes. |

Table 8. ULPI signal description ...continued

| Signal name | Direction on the ISP1716A ^[1] | Signal description |
|-------------|--|---|
| DIR | O | <p>Direction: Controls the direction of data bus DATA[7:0].</p> <p>In synchronous mode, the ISP1716A drives DIR to LOW by default, making the data bus an input so the ISP1716A can listen for TXCMD from the link. The ISP1716A drives DIR to HIGH only when it has data for the link. When DIR and NXT are HIGH, the byte on the data bus contains decoded USB data. When DIR is HIGH and NXT is LOW, the byte contains status information called an RXCMD (receive command). The only exception to this rule is when the PHY returns register read data, where NXT is also LOW, replacing the usual RXCMD byte. Every change in DIR causes a turnaround cycle on the data bus, during which DATA[7:0] is not valid and must be ignored by the link.</p> <p>DIR is always asserted during low-power, serial, and UART modes.</p> |
| STP | I | <p>Stop: In synchronous mode, the link drives STP to HIGH for one cycle after the last byte of data is sent to the ISP1716A. The link can optionally assert STP to force DIR to be deasserted.</p> <p>In low-power, serial, and UART modes, the link holds STP at HIGH to wake up the ISP1716A, causing the ULPI bus to return to synchronous mode.</p> |
| NXT | O | <p>Next: In synchronous mode, the ISP1716A drives NXT to HIGH to throttle data. If DIR is LOW, the ISP1716A asserts NXT to notify the link to place the next data byte on DATA[7:0] in the following clock cycle. If DIR is HIGH, the ISP1716A asserts NXT to notify the link that a valid USB data byte is on DATA[7:0] in the current cycle. The ISP1716A always drives an RXCMD when DIR is HIGH and NXT is LOW, unless register read data is to be returned to the link in the current cycle.</p> <p>NXT is not used in low-power, serial, and UART modes.</p> |

[1] I = input; O = output.

9.2.2 Low-power mode

When the USB bus is idle, the link can place the ISP1716A into low-power mode (also called suspend mode). In low-power mode, the data bus definition changes to that shown in [Table 9](#). To enter low-power mode, the link sets the SUSPENDM bit in the FUNC_CTRL register (see [Section 11.5](#)) to logic 0. To exit low-power mode, the link asserts the STP signal. After exiting low-power mode, the ISP1716A will send an RXCMD to the link if a change was detected in any interrupt source, and the change still exists. An RXCMD may not be sent if the interrupt condition is removed before exiting.

The ISP1716A will draw only suspend current from the V_{CC} supply; see [Table 51](#).

During low-power mode, the clock on CLKIN may be stopped. The clock must be started again before asserting STP to exit low-power mode.

For more information on low-power mode enter and exit protocols, refer to *UTMI+ Low Pin Interface (ULPI) Specification Rev. 1.1*.

Table 9. Signal mapping during low-power mode

| Signal | Maps to | Direction ^[1] | Description |
|------------|---------|--------------------------|---|
| LINESTATE0 | DATA0 | O | combinatorial LINESTATE0 directly driven by the analog receiver |
| LINESTATE1 | DATA1 | O | combinatorial LINESTATE1 directly driven by the analog receiver |

Table 9. Signal mapping during low-power mode ...continued

| Signal | Maps to | Direction ^[1] | Description |
|----------|-----------|--------------------------|---|
| Reserved | DATA2 | O | reserved; the ISP1716A will drive this pin to LOW |
| INT | DATA3 | O | active-HIGH interrupt indication; will be asserted and latched whenever any unmasked interrupt occurs |
| Reserved | DATA[7:4] | O | reserved; the ISP1716A will drive these pins to LOW |

[1] I = input; O = output.

9.2.3 6-pin full-speed or low-speed serial mode

If the link requires a 6-pin serial interface to transmit and receive full-speed or low-speed USB data, it can set the ISP1716A to 6-pin serial mode. In 6-pin serial mode, the data bus definition changes to that shown in [Table 10](#). To enter 6-pin serial mode, the link sets the 6PIN_FSL_SERIAL bit in the INTF_CTRL register (see [Section 11.6](#)) to logic 1. To exit 6-pin serial mode, the link asserts the STP signal. This is provided primarily for links that contain legacy full-speed or low-speed functionality, providing a more cost-effective upgrade path to high-speed functionality. An interrupt pin is also provided to inform the link of USB events. If the link requires CLOCK to be running during 6-pin serial mode, the CLOCK_SUSPENDM register bit must be set to logic 1 before entering 6-pin serial mode.

For more information on 6-pin serial mode enter and exit protocols, refer to *UTMI+ Low Pin Interface (ULPI) Specification Rev. 1.1*.

Table 10. Signal mapping for 6-pin serial mode

| Signal | Maps to | Direction ^[1] | Description |
|-----------|---------|--------------------------|---|
| TX_ENABLE | DATA0 | I | active-HIGH transmit enable |
| TX_DAT | DATA1 | I | transmit differential data on DP and DM |
| TX_SE0 | DATA2 | I | transmit single-ended zero on DP and DM |
| INT | DATA3 | O | active-HIGH interrupt indication; will be asserted and latched whenever any unmasked interrupt occurs |
| RX_DP | DATA4 | O | single-ended receive data from DP |
| RX_DM | DATA5 | O | single-ended receive data from DM |
| RX_RCV | DATA6 | O | differential receive data from DP and DM |
| Reserved | DATA7 | O | reserved; the ISP1716A will drive this pin to LOW |

[1] I = input; O = output.

9.2.4 3-pin full-speed or low-speed serial mode

If the link requires a 3-pin serial interface to transmit and receive full-speed or low-speed USB data, it can set the ISP1716A to 3-pin serial mode. In 3-pin serial mode, the data bus definition changes to that shown in [Table 11](#). To enter 3-pin serial mode, the link sets the 3PIN_FSL_SERIAL bit in the INTF_CTRL register (see [Section 11.6](#)) to logic 1. To exit 3-pin serial mode, the link asserts the STP signal. This is provided primarily for links that contain legacy full-speed or low-speed functionality, providing a more cost-effective upgrade path to high-speed functionality. An interrupt pin is also provided to inform the link of USB events. If the link requires CLOCK to be running during 3-pin serial mode, the CLOCK_SUSPENDM register bit must be set to logic 1 before entering 3-pin serial mode.

For more information on 3-pin serial mode enter and exit protocols, refer to *UTMI+ Low Pin Interface (ULPI) Specification Rev. 1.1*.

Table 11. Signal mapping for 3-pin serial mode

| Signal | Maps to | Direction ^[1] | Description |
|-----------|-----------|--------------------------|--|
| TX_ENABLE | DATA0 | I | active-HIGH transmit enable |
| DAT | DATA1 | I/O | transmit differential data on DP and DM when TX_ENABLE is HIGH receive differential data from DP and DM when TX_ENABLE is LOW |
| SE0 | DATA2 | I/O | transmit single-ended zero on DP and DM when TX_ENABLE is HIGH receive single-ended zero from DP and DM when TX_ENABLE is LOW |
| INT | DATA3 | O | active-HIGH interrupt indication; will be asserted and latched whenever any unmasked interrupt occurs |
| Reserved | DATA[7:4] | O | reserved; the ISP1716A will drive these pins to LOW |

[1] I = input; O = output.

9.2.5 Transparent UART mode

In transparent UART mode, the ISP1716A functions as a voltage level shifter between following pins:

- From pin DATA0 ($V_{CC(I/O)}$ level) to pin DM (2.7 V level).
- From pin DP (2.7 V level) to pin DATA1 ($V_{CC(I/O)}$ level).

The USB transceiver is used to drive the UART transmitting signal on the DM line. The rise time and the fall time of the transmitting signal is determined by whether a full-speed or low-speed transceiver is in use. It is recommended to use a low-speed transceiver if the UART bit rate is below 921 kbit/s for better EMI performance. If the UART bit rate is equal to or above 921 kbit/s, a full-speed transceiver can be used.

In transparent UART mode, data bus definitions change to that shown in [Table 12](#).

Table 12. UART signal mapping

| Signal | Maps to | Direction ^[1] | Description |
|----------|-----------|--------------------------|---|
| TXD | DATA0 | I | UART TXD signal that is routed to the DM pin |
| RXD | DATA1 | O | UART RXD signal that is routed from the DP pin |
| Reserved | DATA2 | O | reserved; the ISP1716A will drive this pin to LOW in UART mode |
| INT | DATA3 | O | active-HIGH interrupt indication; will be asserted and latched whenever any unmasked interrupt occurs |
| Reserved | DATA[7:4] | O | reserved; the ISP1716A will drive these pins to LOW in UART mode |

[1] I = input; O = output.

Transparent UART mode is entered by setting some register bits in ULPI registers. The recommended sequence is:

1. Set the XCVRSELECT[1:0] bits in the FUNC_CTRL register (see [Section 11.5](#)) to 10b (low-speed) or 01b (full-speed). This setting affects the rise time and the fall time of the UART transmitting signal on the DM line.
2. Set the DP_PULLDOWN and DM_PULLDOWN bits in the OTG_CTRL register (see [Section 11.7](#)) to logic 0.
3. Set the TERMSELECT bit in the FUNC_CTRL register (see [Section 11.5](#)) to logic 0 (power-on default value).

Remark: Mandatory when a full-speed driver is used and optional for a low-speed driver.
4. Set the TXD_EN and RXD_EN bits in the CARKIT_CTRL register (see [Section 11.14](#)) to logic 1. These two bits must be set together in one TXCMD.
5. Set the CARKIT_MODE bit in the INTF_CTRL register (see [Section 11.6](#)) to logic 1.

Remark: The CARKIT_MODE, TXD_EN, and RXD_EN bits must be set to logic 1. The sequence of setting these register bits is ignored.

After the register configuration is complete:

1. A weak pull-up resistor will be enabled on the DP and DATA0 pins. This is to avoid the possible floating condition on these input pins when UART mode is enabled.
2. The 39 Ω serial termination resistors on the DP and DM pins will be enabled.
3. One clock cycle after DIR goes from LOW to HIGH, the ISP1716A will drive the data bus for five clock cycles. This is to charge the DATA0 pin to a HIGH level for a slow link. However, the link can start driving DATA0 to HIGH immediately after the turnaround cycle.
4. UART buffers between DATA0 or DATA1 and DM or DP are enabled. Transparent UART mode is entered.

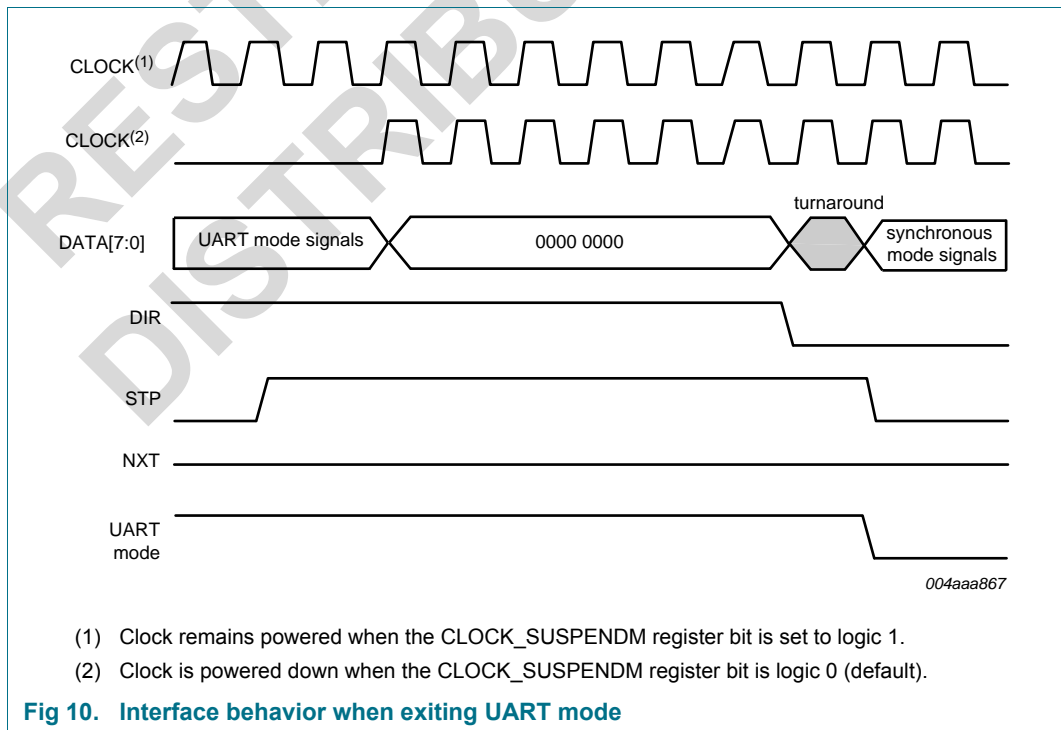
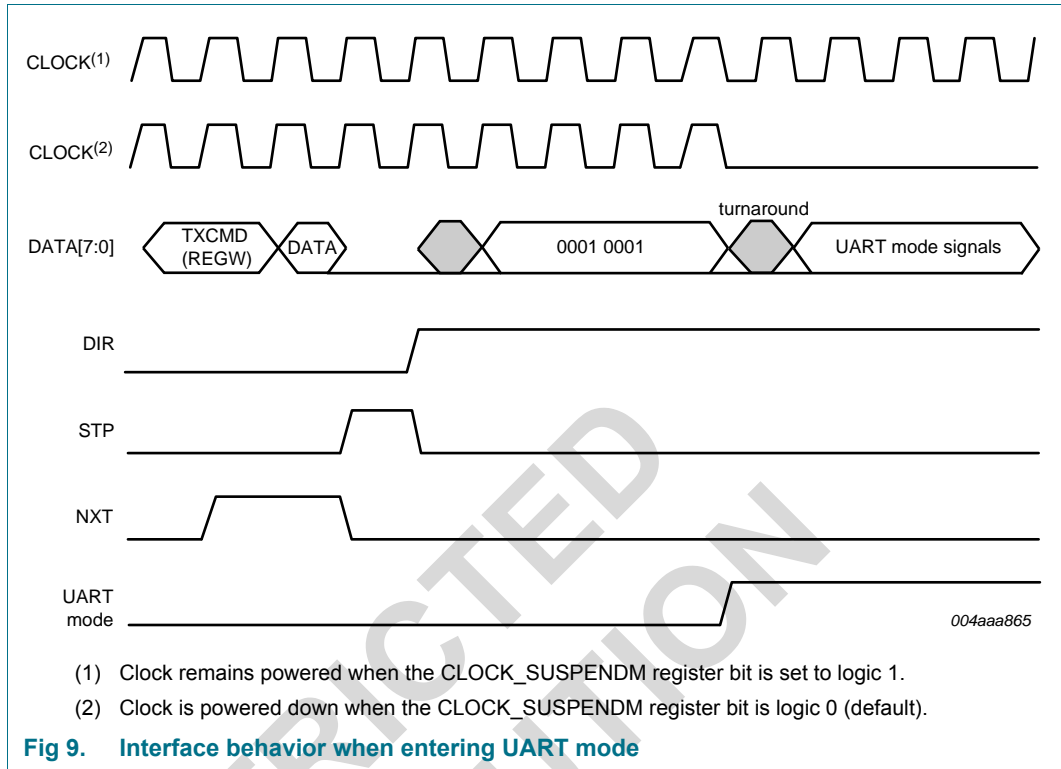
Remark: The DP pin will be slowly charged up to HIGH by the weak pull-up resistor. The time needed depends on the capacitive loading on DP.

By default, the clock is powered down when the ISP1716A enters UART mode. If the link requires CLOCK to be running in UART mode, it can set the CLOCK_SUSPENDM bit in the INTF_CTRL register (see [Section 11.6](#)) to logic 1 before entering UART mode.

Transparent UART mode is exited by asserting the STP pin to HIGH or by toggling chip select.

The INT pin is asserted and latched whenever an unmasked interrupt event occurs. When the link detects INT as HIGH, it must wake up the PHY from transparent UART mode by asserting STP. When the PHY is in synchronous mode, the link can read the USB_INTR_L register (see [Section 11.11](#)) to determine the source of the interrupt. Note that the ISP1716A does not implement optional Carkit Interrupt registers.

An alternative way to exit UART mode is to set chip select to deassert for more than t_{PWRDN} and then set it to assert. A power-on reset will be generated and the ULPI bus will be put in default synchronous mode.



9.3 USB state transitions

A Hi-Speed USB peripheral, host, or OTG device handles more than one electrical state as defined in *Universal Serial Bus Specification Rev. 2.0* and *On-The-Go Supplement to the USB 2.0 Specification Rev. 1.3*. The ISP1716A accommodates various states through register settings of the XCVRSELECT[1:0], TERMSELECT, OPMODE[1:0], DP_PULLDOWN, and DM_PULLDOWN bits.

[Table 13](#) summarizes operating states. The values of register settings in [Table 13](#) will force resistor settings as also given in [Table 13](#). Resistor setting signals are defined as follows:

- RPU_DP_EN enables the 1.5 kΩ pull-up resistor on DP
- RPD_DP_EN enables the 15 kΩ pull-down resistor on DP
- RPD_DM_EN enables the 15 kΩ pull-down resistor on DM
- HSTERM_EN enables the 45 Ω termination resistors on DP and DM

It is up to the link to set the desired register settings.

Table 13. Operating states and their corresponding resistor settings

| Signaling mode | Register settings | | | | | Internal resistor settings | | | |
|--|-------------------|-------------|--------------|--------------|--------------|----------------------------|-----------|-----------|-----------|
| | XCVR SELECT [1:0] | TERM SELECT | OPMODE [1:0] | DP_PULL DOWN | DM_PULL DOWN | RPU_DP_EN | RPD_DP_EN | RPD_DM_EN | HSTERM_EN |
| General settings | | | | | | | | | |
| 3-state drivers | XXb | Xb | 01b | Xb | Xb | 0b | 0b | 0b | 0b |
| Power up or V _{BUS} < V _{B_SESS_END} | 01b | 0b | 00b | 1b | 1b | 0b | 1b | 1b | 0b |
| Host settings | | | | | | | | | |
| Host chirp | 00b | 0b | 10b | 1b | 1b | 0b | 1b | 1b | 1b |
| Host high-speed | 00b | 0b | 00b | 1b | 1b | 0b | 1b | 1b | 1b |
| Host full-speed | X1b | 1b | 00b | 1b | 1b | 0b | 1b | 1b | 0b |
| Host high-speed or full-speed suspend | 01b | 1b | 00b | 1b | 1b | 0b | 1b | 1b | 0b |
| Host high-speed or full-speed resume | 01b | 1b | 10b | 1b | 1b | 0b | 1b | 1b | 0b |
| Host low-speed | 10b | 1b | 00b | 1b | 1b | 0b | 1b | 1b | 0b |
| Host low-speed suspend | 10b | 1b | 00b | 1b | 1b | 0b | 1b | 1b | 0b |
| Host low-speed resume | 10b | 1b | 10b | 1b | 1b | 0b | 1b | 1b | 0b |
| Host Test J or Test K | 00b | 0b | 10b | 1b | 1b | 0b | 1b | 1b | 1b |
| Peripheral settings | | | | | | | | | |
| Peripheral chirp | 00b | 1b | 10b | 0b | 0b | 1b | 0b | 0b | 0b |
| Peripheral high-speed | 00b | 0b | 00b | 0b | 0b | 0b | 0b | 0b | 1b |
| Peripheral full-speed | 01b | 1b | 00b | 0b | 0b | 1b | 0b | 0b | 0b |

Table 13. Operating states and their corresponding resistor settings ...continued

| Signaling mode | Register settings | | | | | Internal resistor settings | | | |
|---|-------------------|-------------|--------------|--------------|--------------|----------------------------|-----------|-----------|-----------|
| | XCVR SELECT [1:0] | TERM SELECT | OPMODE [1:0] | DP_PULL DOWN | DM_PULL DOWN | RPU_DP_EN | RPD_DP_EN | RPD_DM_EN | HSTERM_EN |
| Peripheral high-speed or full-speed suspend | 01b | 1b | 00b | 0b | 0b | 1b | 0b | 0b | 0b |
| Peripheral high-speed or full-speed resume | 01b | 1b | 10b | 0b | 0b | 1b | 0b | 0b | 0b |
| Peripheral Test J or Test K | 00b | 0b | 10b | 0b | 0b | 0b | 0b | 0b | 1b |
| OTG settings | | | | | | | | | |
| OTG device peripheral chirp | 00b | 1b | 10b | 0b | 1b | 1b | 0b | 1b | 0b |
| OTG device peripheral high-speed | 00b | 0b | 00b | 0b | 1b | 0b | 0b | 1b | 1b |
| OTG device peripheral full-speed | 01b | 1b | 00b | 0b | 1b | 1b | 0b | 1b | 0b |
| OTG device peripheral high-speed and full-speed suspend | 01b | 1b | 00b | 0b | 1b | 1b | 0b | 1b | 0b |
| OTG device peripheral high-speed and full-speed resume | 01b | 1b | 10b | 0b | 1b | 1b | 0b | 1b | 0b |
| OTG device peripheral Test J or Test K | 00b | 0b | 10b | 0b | 1b | 0b | 0b | 1b | 1b |

10. Protocol description

10.1 ULPI references

The ISP1716A provides a 12-pin ULPI interface to communicate with the link. It is highly recommended that users of the ISP1716A read *UTMI+ Specification Rev. 1.0* and *UTMI+ Low Pin Interface (ULPI) Specification Rev. 1.1*.

Commands between the ISP1716A and the link are described in the following subsections.

10.2 TXCMD

By default, the link must drive the ULPI bus to its idle state of 00h. To send commands and USB packets, the link drives a nonzero value on DATA[7:0] to the ISP1716A by sending a byte called TXCMD. Commands include USB packet transmissions, and register reads and writes. Once the TXCMD is interpreted and accepted by the ISP1716A, the NXT signal is asserted and the link can follow up with the required number of data bytes. The TXCMD byte format is given in [Table 14](#). Any values other than those in [Table 14](#) are illegal and will result in undefined behavior.

Various TXCMD packet and register sequences are given in later sections.

Table 14. TXCMD byte format

| Command type name | Command code DATA[7:6] | Command payload DATA[5:0] | Command name | Command description |
|-------------------|------------------------|---------------------------|--------------|---|
| Idle | 00b | 00 0000b | NOOP | No operation. 00h is the idle value of the data bus. The link must drive NOOP by default. |
| Packet transmit | 01b | 00 0000b | NOPID | Transmit USB data that does not have a PID, such as chirp and resume signaling. The ISP1716A starts transmitting only after accepting the next data byte. |
| | | 00 XXXXb | PID | Transmit USB packet. DATA[3:0] indicates USB packet identifier PID[3:0]. |
| Register write | 10b | 10 1111b | EXTW | Extended register write command (optional). The 8-bit address must be provided after the command is accepted. |
| | | XX XXXXb | REGW | Register write command with 6-bit immediate address. |
| Register read | 11b | 10 1111b | EXTR | Extended register read command (optional). The 8-bit address must be provided after the command is accepted. |
| | | XX XXXXb | REGR | Register read command with 6-bit immediate address. |

10.3 RXCMD

The ISP1716A communicates status information to the link by asserting DIR and sending an RXCMD byte on the data bus. The RXCMD data byte format follows *UTMI+ Low Pin Interface (ULPI) Specification Rev. 1.1* and is given in [Table 15](#).

The ISP1716A will automatically send an RXCMD whenever there is a change in any of the RXCMD data fields. The link must be able to accept an RXCMD at any time; including single RXCMDs, back-to-back RXCMDs, and RXCMDs at any time during USB receive packets when NXT is LOW. An example is shown in [Figure 11](#). For details and diagrams, refer to *UTMI+ Low Pin Interface (ULPI) Specification Rev. 1.1*.

Table 15. RXCMD byte format

| DATA | Name | Description and value |
|--------|------------------------|--|
| 1 to 0 | LINESTATE | LINESTATE signals: For a definition of LINESTATE, see Section 10.3.1 . DATA0 — LINESTATE0 DATA1 — LINESTATE1 |
| 3 to 2 | V _{BUS} state | Encoded V_{BUS} voltage state: For an explanation of the V _{BUS} state, see Section 10.3.2 . |
| 5 to 4 | RxEvent | Encoded USB event signals: For an explanation of RxEvent, see Section 10.3.4 . |
| 6 | ID | Reflects the state of the ID pin. Valid 50 ms after ID_PULLUP is set to logic 1. |
| 7 | ALT_INT | By default, this signal is not used and is not needed in typical designs. Optionally, the link can enable the BVALID_RISE bit, the BVALID_FALL bit, or both in the PWR_CTRL register (see Section 11.15). Corresponding changes in BVALID will cause an RXCMD to be sent to the link with the ALT_INT bit asserted. |

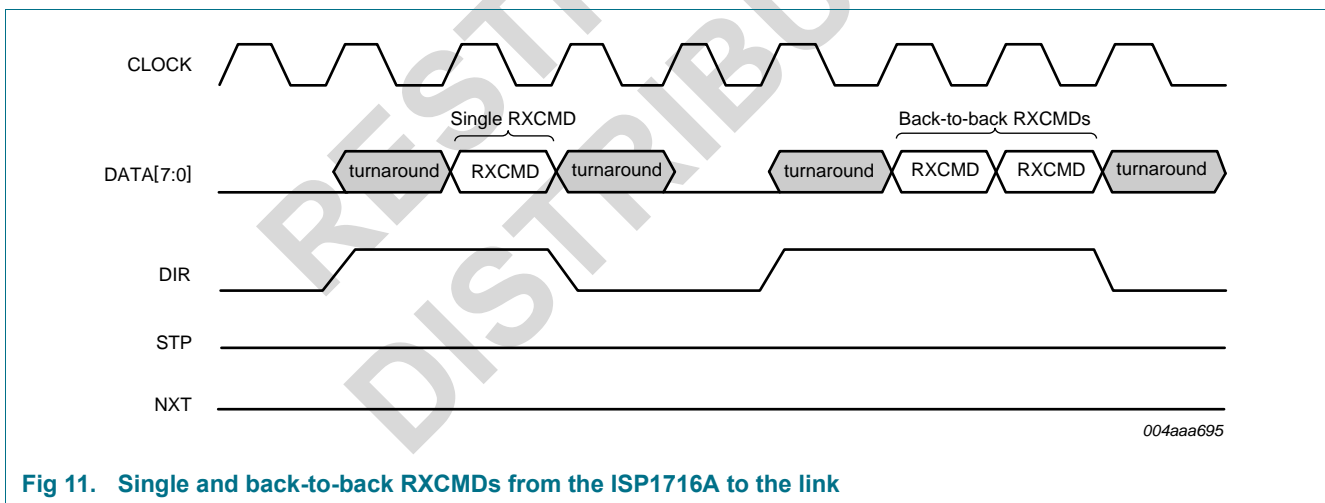


Fig 11. Single and back-to-back RXCMDs from the ISP1716A to the link

10.3.1 Linestate encoding

LINESTATE[1:0] reflects the current state of DP and DM. Whenever the ISP1716A detects a change in DP or DM, an RXCMD will be sent to the link with the new LINESTATE[1:0] value. The value given on LINESTATE[1:0] depends on the setting of various registers.

[Table 16](#) shows the LINESTATE[1:0] encoding for upstream facing ports, which applies to peripherals. [Table 17](#) shows the LINESTATE[1:0] encoding for downstream facing ports, which applies to host controllers. Dual-role devices must choose the correct table, depending on whether it is in peripheral or host mode.

Table 16. LINESTATE[1:0] encoding for upstream facing ports: peripheral
 $DP_PULLDOWN = 0$, [1]

| Mode | Value | Full-speed | High-speed | Chirp |
|-----------------|-------|------------|------------|---|
| XCVRSELECT[1:0] | | 01, 11 | 00 | 00 |
| TERMSELECT | | 1 | 0 | 1 |
| LINESTATE[1:0] | 00 | SE0 | squelch | squelch |
| | 01 | FS-J | !squelch | !squelch and HS_Differential_Receiver_Output |
| | 10 | FS-K | invalid | !squelch and !HS_Differential_Receiver_Output |
| | 11 | SE1 | invalid | invalid |

[1] !squelch indicates inactive squelch. !HS_Differential_Receiver_Output indicates inactive HS_Differential_Receiver_Output.

Table 17. LINESTATE[1:0] encoding for downstream facing ports: host
 $DP_PULLDOWN$ and $DM_PULLDOWN = 1$, [1]

| Mode | Value | Low-speed | Full-speed | High-speed | Chirp |
|-----------------|-------|-----------|------------|---------------|---|
| XCVRSELECT[1:0] | | 10 | 01, 11 | 00 | 00 |
| TERMSELECT | | 1 | 1 | 0 | 0 |
| OPMODE[1:0] | | X | X | 00, 01, or 11 | 10 |
| LINESTATE[1:0] | 00 | SE0 | SE0 | squelch | squelch |
| | 01 | LS-K | FS-J | !squelch | !squelch and HS_Differential_Receiver_Output |
| | 10 | LS-J | FS-K | invalid | !squelch and !HS_Differential_Receiver_Output |
| | 11 | SE1 | SE1 | invalid | invalid |

[1] !squelch indicates inactive squelch. !HS_Differential_Receiver_Output indicates inactive HS_Differential_Receiver_Output.

10.3.2 V_{BUS} state encoding

USB devices must monitor the V_{BUS} voltage for purposes such as overcurrent detection, starting a session, and SRP. The V_{BUS} state field in the RXCMD is an encoding of the voltage level on V_{BUS}.

The SESS_END and SESS_VLD indicators in the V_{BUS} state are directly taken from the internal comparators built-in to the ISP1716A, and encoded as shown in [Table 15](#) and [Table 18](#).

Table 18. Encoded V_{BUS} voltage state

| Value | V _{BUS} voltage | SESS_END | SESS_VLD | A_VBUS_VLD |
|-------|--|----------|----------|------------|
| 00 | $V_{BUS} < V_{B_SESS_END}$ | 1 | 0 | 0 |
| 01 | $V_{B_SESS_END} \leq V_{BUS} < V_{A_SESS_VLD}$ | 0 | 0 | 0 |
| 10 | $V_{A_SESS_VLD} \leq V_{BUS} < V_{A_VBUS_VLD}$ | X | 1 | 0 |
| 11 | $V_{BUS} \geq V_{A_VBUS_VLD}$ | X | X | 1 |

The A_VBUS_VLD indicator in the V_{BUS} state provides several options and must be configured based on current draw requirements. A_VBUS_VLD can input from one or more V_{BUS} voltage indicators, as shown in [Figure 12](#).

A description on how to use and select the V_{BUS} state encoding is given in [Section 10.3.3](#).

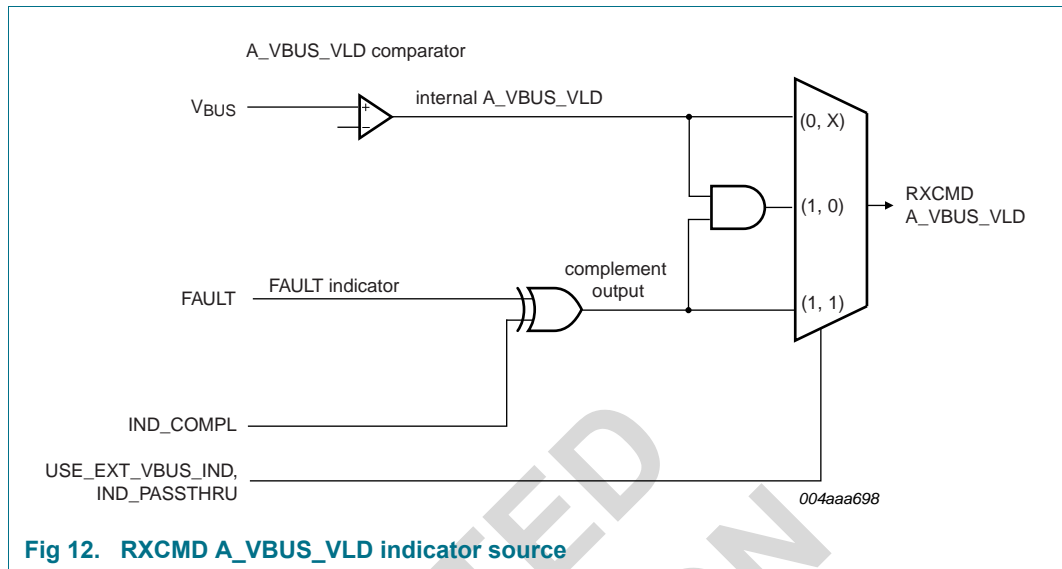


Fig 12. RXCMD A_VBUS_VLD indicator source

10.3.3 Using and selecting the V_{BUS} state encoding

The V_{BUS} state encoding is shown in [Table 18](#). The ISP1716A will send an RXCMD to the link whenever there is a change in the V_{BUS} state. To receive V_{BUS} state updates, the link must first enable the corresponding interrupts in the USB_INTR_EN_R and USB_INTR_EN_F registers.

The link can use the V_{BUS} state to monitor V_{BUS} and take appropriate actions. [Table 19](#) shows the recommended usage for typical applications.

Table 19. V_{BUS} indicators in RXCMD required for typical applications

| Application | A_VBUS_VLD | SESS_VLD | SESS_END |
|---------------------|------------|----------|----------|
| Standard host | yes | no | no |
| Standard peripheral | no | yes | no |
| OTG A-device | yes | yes | no |
| OTG B-device | no | yes | yes |

10.3.3.1 Standard USB host controllers

For standard hosts, the system must be able to provide 500 mA on V_{BUS} in the range of 4.75 V to 5.25 V. An external circuit must be used to detect overcurrent conditions. If the external overcurrent detector provides a digital fault signal, then the fault signal must be connected to the ISP1716A FAULT input pin, and the link must do the following:

1. Set the IND_COMPL bit in the INTF_CTRL register (see [Section 11.6](#)) to logic 0 or logic 1, depending on the polarity of the external fault signal.
2. Set the USE_EXT_VBUS_IND bit in the OTG_CTRL register (see [Section 11.7](#)) to logic 1.
3. If it is not necessary to qualify the fault indicator with the internal A_VBUS_VLD comparator, set the IND_PASSTHRU bit in the INTF_CTRL register (see [Section 11.6](#)) to logic 1.

10.3.3.2 Standard USB peripheral controllers

Standard peripherals must be able to detect when V_{BUS} is at a sufficient level for operation. SESS_VLD must be enabled to detect the start and end of USB peripheral operations. Detection of A_VBUS_VLD and SESS_END thresholds is not needed for standard peripherals.

10.3.3.3 OTG devices

When an OTG device is configured as an OTG A-device, it must be able to provide a minimum of 8 mA on V_{BUS} . If the OTG A-device provides less than 100 mA, then there is no need for an overcurrent detection circuit because the internal A_VBUS_VLD comparator is sufficient. If the OTG A-device provides more than 100 mA on V_{BUS} , an overcurrent detector must be used and [Section 10.3.3.1](#) applies. The OTG A-device also uses SESS_VLD to detect when an OTG B-device is initiating V_{BUS} pulsing SRP.

When an OTG device is configured as an OTG B-device, SESS_VLD must be used to detect when V_{BUS} is at a sufficient level for operation. SESS_END must be used to detect when V_{BUS} has dropped to a LOW level, allowing the B-device to safely initiate V_{BUS} pulsing SRP.

10.3.4 RxEvent encoding

The RxEvent field (see [Table 20](#)) of the RXCMD informs the link of information related packets received on the USB bus. RxActive and RxError are defined in *USB 2.0 Transceiver Macrocell Interface (UTMI) Specification Ver. 1.05*. HostDisconnect is defined in *UTMI+ Specification Rev. 1.0*. A short definition is also given in the following subsections.

Table 20. Encoded USB event signals

| Value | RxActive | RxError | HostDisconnect |
|-------|----------|---------|----------------|
| 00 | 0 | 0 | 0 |
| 01 | 1 | 0 | 0 |
| 11 | 1 | 1 | 0 |
| 10 | X | X | 1 |

10.3.4.1 RxActive

When the ISP1716A has detected a SYNC pattern on the USB bus, it signals an RxActive event to the link. An RxActive event can be communicated using two methods. The first method is for the ISP1716A to simultaneously assert DIR and NXT. The second method is for the ISP1716A to send an RXCMD to the link with the RxActive field in the RxEvent bits set to logic 1. The link must be capable of detecting both methods. RxActive frames the receive packet from the first byte to the last byte.

The link must assume that RxActive is set to logic 0 when indicated in an RXCMD or when DIR is deasserted, whichever occurs first.

The link uses RxActive to time high-speed packets and ensure that bus turnaround times are met. For more information on the USB packet timing, see [Section 10.6.1](#).

10.3.4.2 RxError

When the ISP1716A has detected an error while receiving a USB packet, it deasserts NXT and sends an RXCMD with the RxError field set to logic 1. The received packet is no longer valid and must be dropped by the link.

10.3.4.3 HostDisconnect

HostDisconnect is encoded into the RxEvent field of the RXCMD. HostDisconnect is valid only when the ISP1716A is configured as a host (both DP_PULLDOWN and DM_PULLDOWN are set to logic 1), and indicates to the host controller when a peripheral is connected (0b) or disconnected (1b). The host controller must enable HostDisconnect by setting the HOST_DISCON_R and HOST_DISCON_F bits in the USB_INTR_EN_R and USB_INTR_EN_F registers, respectively. Changes in HostDisconnect will cause the PHY to send an RXCMD to the link with the updated value.

10.4 Register read and write operations

Figure 13 shows register read and write sequences. The ISP1716A supports immediate addressing and extended addressing register operations. Extended register addressing is optional for links. Note that register operations will be aborted if the ISP1716A asserts DIR during the operation. When a register operation is aborted, the link must retry until successful. For more information on register operations, refer to *UTMI+ Low Pin Interface (ULPI) Specification Rev. 1.1*.

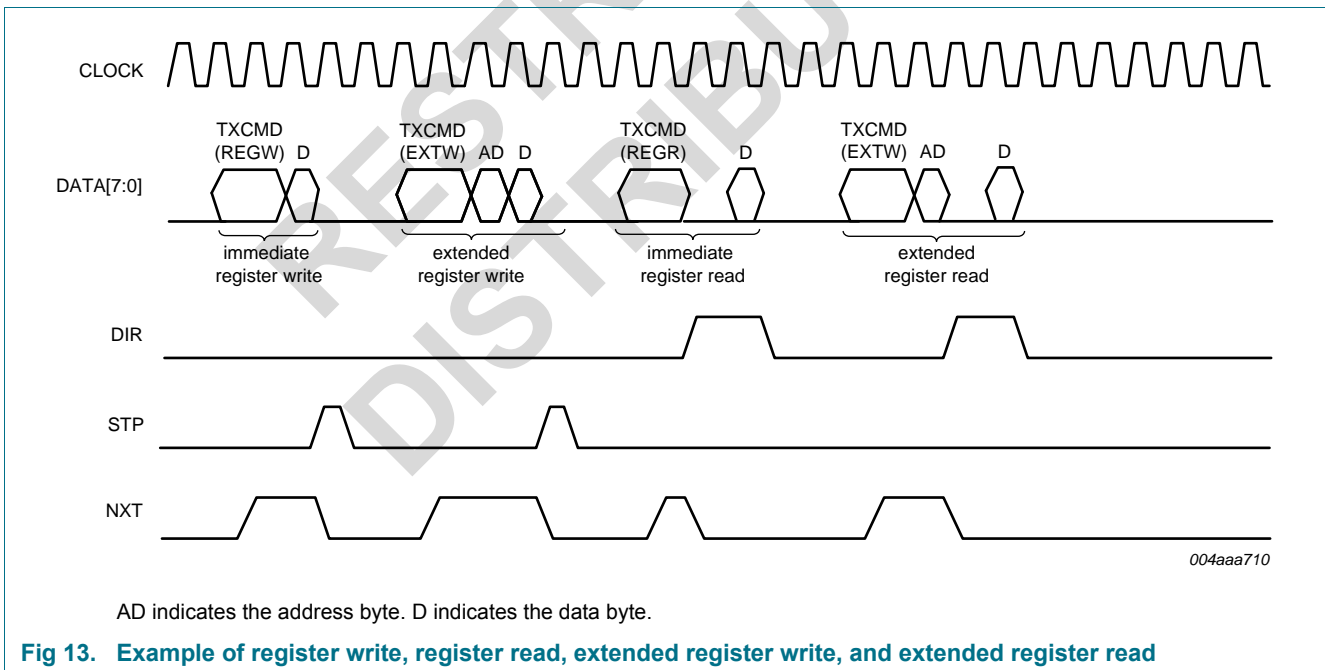


Fig 13. Example of register write, register read, extended register write, and extended register read

10.5 USB reset and high-speed detection handshake (chirp)

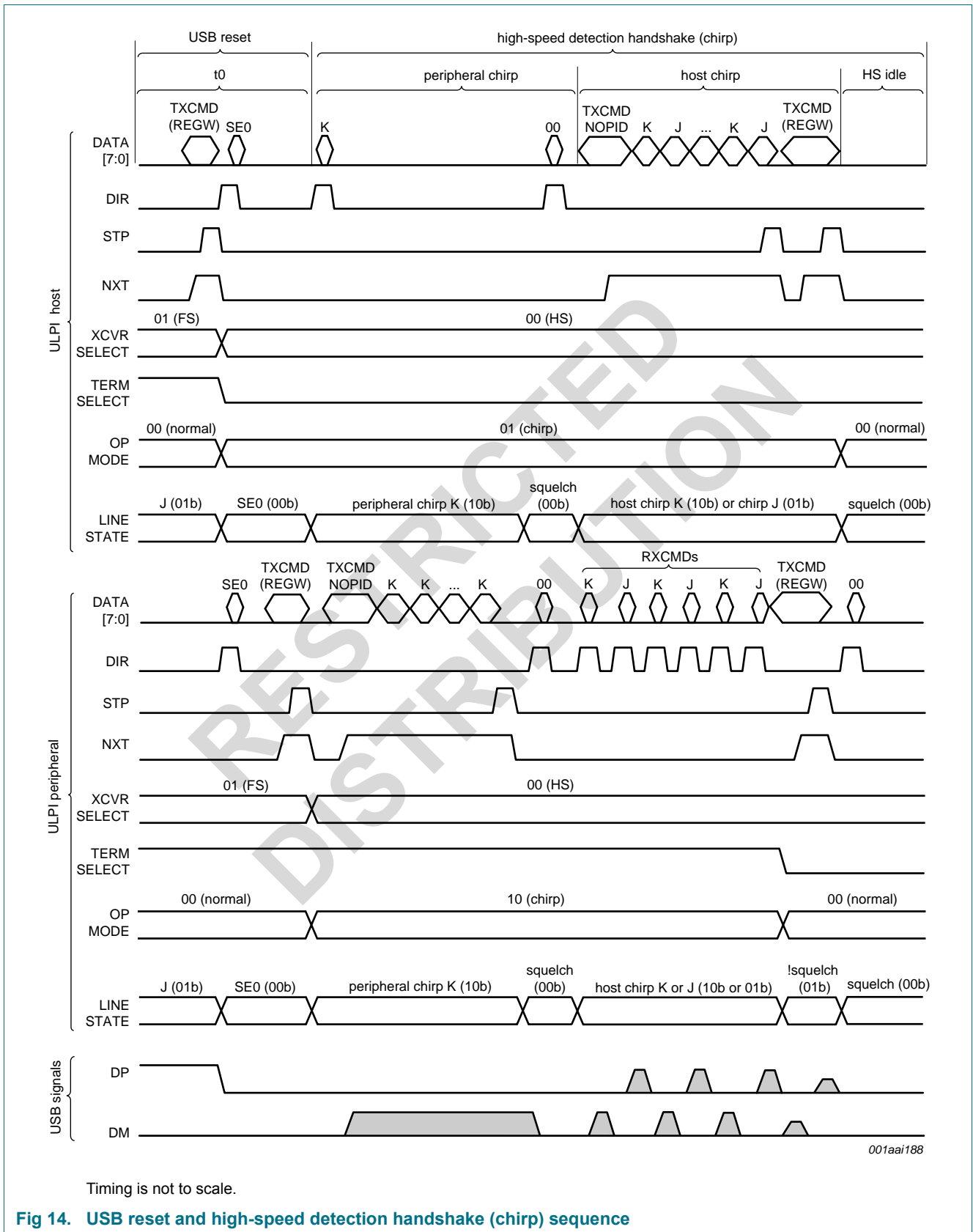
Figure 14 shows the sequence of events for USB reset and high-speed detection handshake (chirp). The sequence is shown for hosts and peripherals. Figure 14 does not show all RXCMD updates, and timing is not to scale. The sequence is as follows:

1. USB reset: The host detects a peripheral attachment as low-speed if DM is HIGH and as full-speed if DP is HIGH. If a host detects a low-speed peripheral, it does not follow the remainder of this protocol. If a host detects a full-speed peripheral, it resets the peripheral by writing to the FUNC_CTRL register (see [Section 11.5](#)) and setting XCVRSELECT[1:0] = 00b (high-speed) and TERMSELECT = 0b that drives SE0 on the bus (DP and DM connected to ground through 45 Ω). The host also sets OPMODE[1:0] = 10b for correct chirp transmit and receive. The start of SE0 is labeled t₀.

Remark: To receive chirp signaling, the host must also consider the high-speed differential receiver output. The host controller must interpret LINESTATE as shown in [Table 17](#).

2. High-speed detection handshake (chirp)
 - a. Peripheral chirp: After detecting SE0 for no less than 2.5 μs, if the peripheral is capable of high-speed, it sets XCVRSELECT[1:0] to 00b (high-speed) and OPMODE[1:0] to 10b (chirp). The peripheral immediately follows this with a TXCMD (NOPID), transmitting a Chirp K for no less than 1 ms and ending no more than 7 ms after reset time t₀. If the peripheral is in low-power mode, it must wake up its clock within 5.6 ms, leaving 200 μs for the link to start transmitting the Chirp K, and 1.2 ms for the Chirp K to complete (worst case with 10% slow clock).
 - b. Host chirp: If the host does not detect the peripheral chirp, it must continue asserting SE0 until the end of reset. If the host detects the peripheral Chirp K for no less than 2.5 μs, then no more than 100 μs after the bus leaves the Chirp K state, the host sends a TXCMD (NOPID) with an alternating sequence of Chirp Ks and Js. Each Chirp K or Chirp J must last no less than 40 μs and no longer than 60 μs.
 - c. High-speed idle: The peripheral must detect a minimum of Chirp K-J-K-J-K-J. Each Chirp K and Chirp J must be detected for at least 2.5 μs. The peripheral sets TERMSELECT = 0b and OPMODE[1:0] = 00b after seeing the minimum chirp sequence. The peripheral is now in high-speed mode and sees !squelch (01b on LINESTATE). When the peripheral sees squelch (10b on LINESTATE), it knows that the host has completed chirp and waits for Hi-Speed USB traffic to begin. After transmitting the chirp sequence, the host changes OPMODE[1:0] to 00b and begins sending USB packets.

For more information, refer to *UTMI+ Low Pin Interface (ULPI) Specification Rev. 1.1*.



10.6 USB packet transmit and receive

An example of a packet transmit and receive is shown in [Figure 15](#). For details on USB packets, refer to *UTMI+ Low Pin Interface (ULPI) Specification Rev. 1.1*.

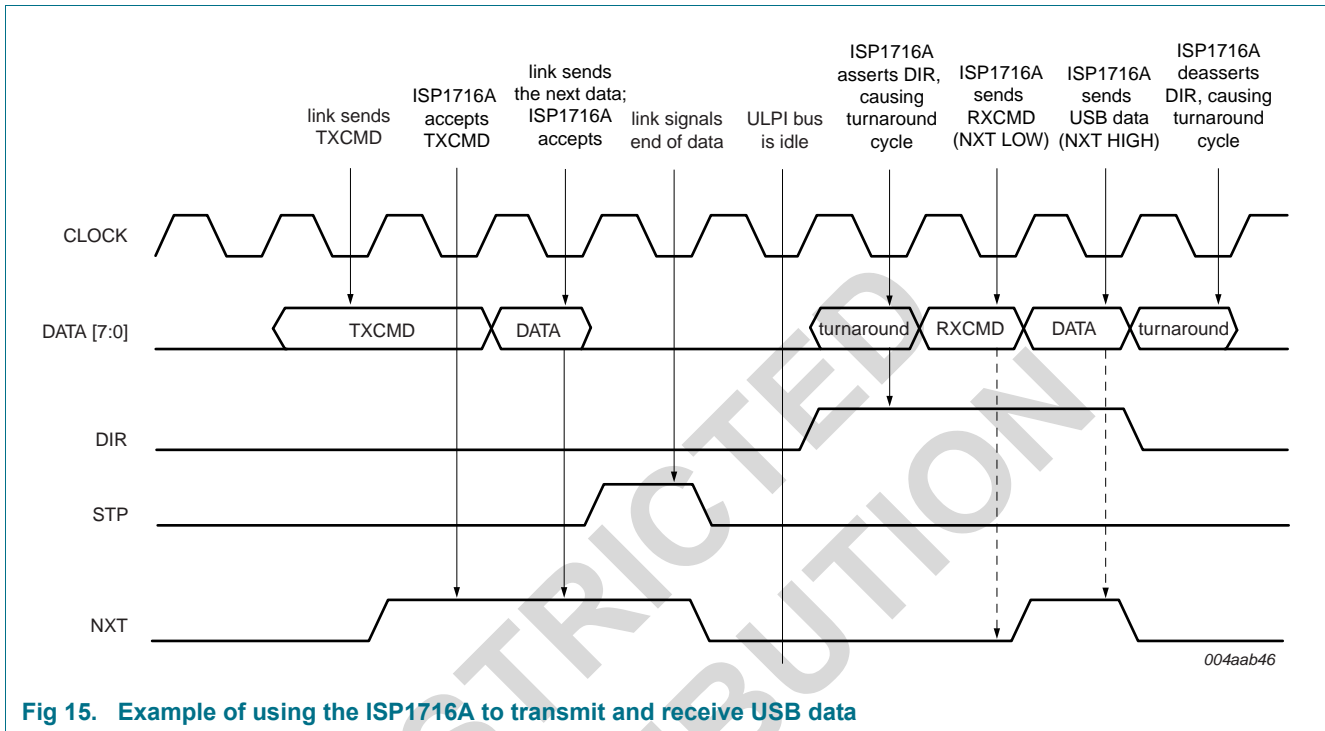


Fig 15. Example of using the ISP1716A to transmit and receive USB data

10.6.1 USB packet timing

10.6.1.1 ISP1716A pipeline delays

The ISP1716A delays (in clock cycles) are shown in [Table 21](#). For detailed description, refer to *UTMI+ Low Pin Interface (ULPI) Specification Rev. 1.1, Section 3.8.2.6.2*.

Table 21. PHY pipeline delays

| Parameter name ^[1] | High-speed PHY delay | Full-speed PHY delay | Low-speed PHY delay |
|-------------------------------|----------------------|----------------------|---------------------|
| RXCMD delay (J and K) | 4 | 4 | 4 |
| RXCMD delay (SE0) | 4 | 4 to 6 | 16 to 18 |
| TX start delay | 1 to 2 | 6 to 10 | 74 to 75 |
| TX end delay (packets) | 3 to 4 | not applicable | not applicable |
| TX end delay (SOF) | 6 to 9 | not applicable | not applicable |
| RX start delay | 5 to 6 | not applicable | not applicable |
| RX end delay | 5 to 6 | 17 to 18 | 122 to 123 |

[1] According to *UTMI+ Low Pin Interface (ULPI) Specification Rev. 1.1, Section 3.8.2.6*, the TX and RX start or end delays must be used for high-speed inter-packet timing. If the link uses RXCMDs for high-speed inter-packet timing, the result cannot be guaranteed.

10.6.1.2 Allowed link decision time

The amount of clock cycles allocated to the link to respond to a received packet and correctly receive back-to-back packets is given in [Table 22](#). Link designs must follow the values given in [Table 22](#) for correct USB system operation. Examples of high-speed packet sequences and timing are shown in [Figure 16](#) and [Figure 17](#). For details, refer to *UTMI+ Low Pin Interface (ULPI) Specification Rev. 1.1, Section 3.8.2.6.3*.

Table 22. Link decision times

| Packet sequence | High-speed link delay | Full-speed link delay | Low-speed link delay | Definition |
|---------------------------------------|-----------------------|-----------------------|----------------------|---|
| Transmit-Transmit (host only) | 15 to 24 | 7 to 18 | 77 to 247 | <p>Number of clock cycles a host link must wait before driving the TXCMD for the second packet.</p> <p>In high-speed, the link starts counting from the assertion of STP for the first packet.</p> <p>In full-speed, the link starts counting from RXCMD, indicating LINESTATE has changed from SE0 to J for the first packet. The timing given ensures inter-packet delays of 2 bit times to 6.5 bit times.</p> |
| Receive-Transmit (host or peripheral) | 1 to 14 | 7 to 18 | 77 to 247 | <p>Number of clock cycles the link must wait before driving TXCMD for the transmit packet.</p> <p>In high-speed, the link starts counting from the end of the receive packet; deassertion of DIR or an RXCMD indicating RxActive is LOW.</p> <p>In full-speed or low-speed, the link starts counting from RXCMD, indicating LINESTATE has changed from SE0 to J for the receive packet. The timing given ensures inter-packet delays of 2 bit times to 6.5 bit times.</p> |
| Receive-Receive (peripheral only) | 1 | 1 | 1 | Minimum number of clock cycles between consecutive receive packets. The link must be capable of receiving both packets. |
| Transmit-Receive (host or peripheral) | 92 | 80 | 718 | Host or peripheral transmits a packet and will time-out after this number of clock cycles if a response is not received. Any subsequent transmission can occur after this time. |

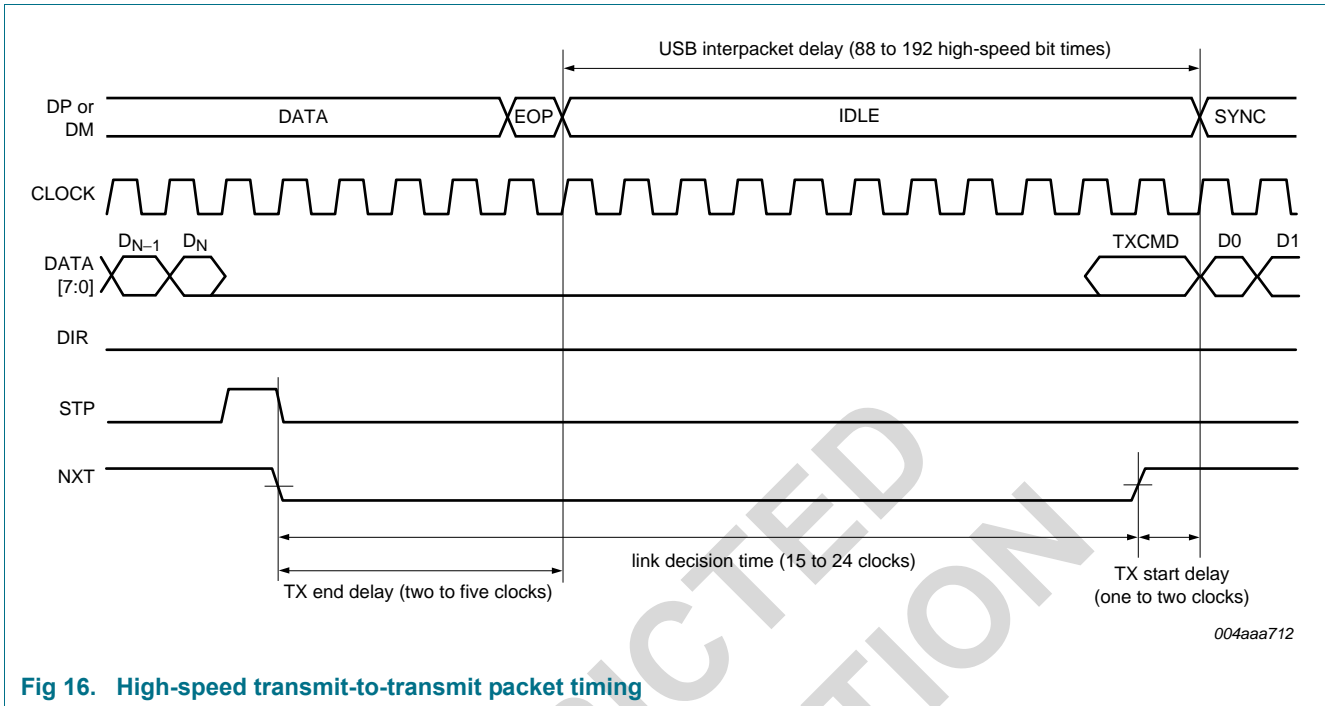


Fig 16. High-speed transmit-to-transmit packet timing

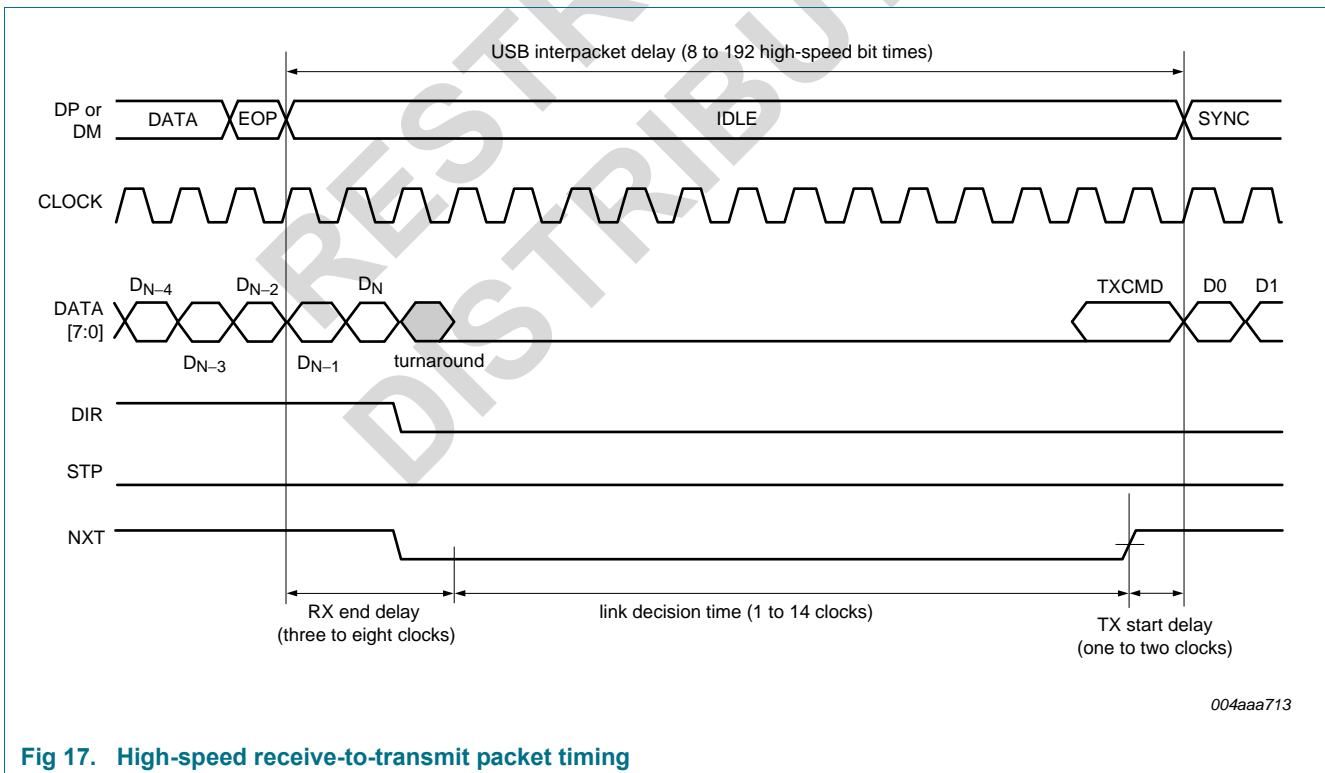


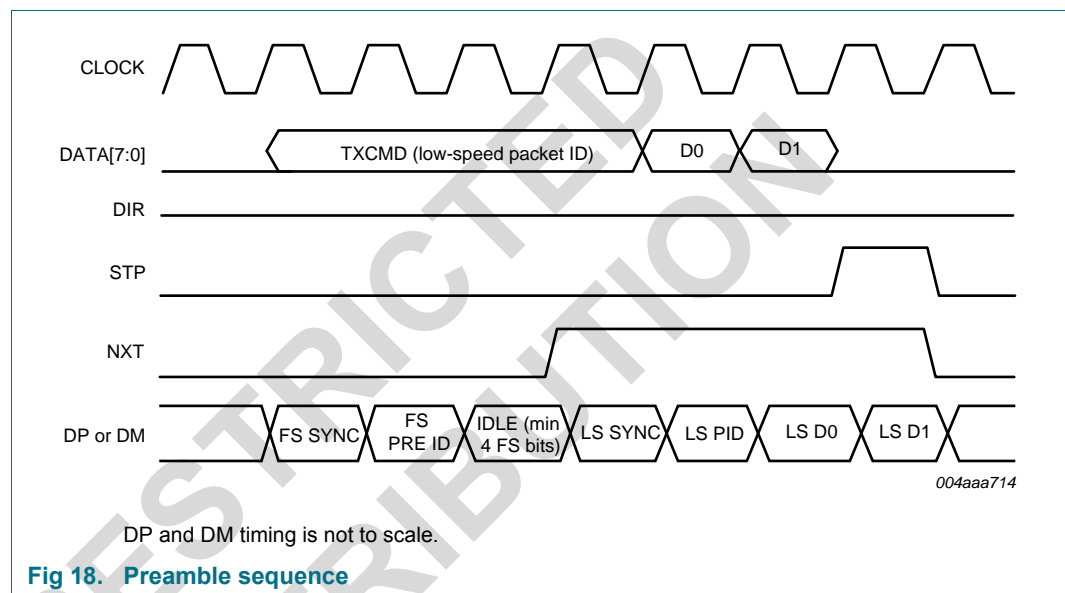
Fig 17. High-speed receive-to-transmit packet timing

10.7 Preamble

Preamble packets are headers to low-speed packets that must travel over a full-speed bus, between a host and a hub. To enter preamble mode, the link sets $XCVRSELECT[1:0] = 11b$ in the FUNC_CTRL register (see [Section 11.5](#)). When in

preamble mode, the ISP1716A operates just as in full-speed mode, and sends all data with the full-speed rise time and fall time. Whenever the link transmits a USB packet in preamble mode, the ISP1716A will automatically send a preamble header at full-speed bit rate before sending the link packet at low-speed bit rate. The ISP1716A will ensure a minimum gap of four full-speed bit times between the last bit of the full-speed PRE PID and the first bit of the low-speed packet SYNC. The ISP1716A will drive a J for at least one full-speed bit time after sending the PRE PID, after which the pull-up resistor can hold the J state on the bus. An example transmit packet is shown in [Figure 18](#).

In preamble mode, the ISP1716A can also receive low-speed packets from the full-speed bus.



10.8 USB suspend and resume

10.8.1 Full-speed or low-speed host-initiated suspend and resume

[Figure 19](#) illustrates how a host or a hub places a full-speed or low-speed peripheral into suspend and sometime later initiates resume signaling to wake-up the downstream peripheral. Note that [Figure 19](#) timing is not to scale, and does not show all RXCMD LINESTATE updates.

The sequence of events for a host and a peripheral, both with ISP1716A, is as follows:

1. Idle: Initially, the host and the peripheral are idle. The host has its 15 k Ω pull-down resistors enabled (DP_PULLDOWN and DM_PULLDOWN are set to 1b) and 45 Ω terminations are disabled (TERMSELECT is set to 1b). The peripheral has the 1.5 k Ω pull-up resistor connected to DP for full-speed or DM for low-speed (TERMSELECT is set to 1b).
2. Suspend: When the peripheral sees no bus activity for 3 ms, it enters the suspend state. The peripheral link places the PHY into low-power mode by clearing the SUSPENDM bit in the FUNC_CTRL register (see [Section 11.5](#)), causing the PHY to draw only suspend current. The host may or may not be powered down.

3. Resume K: When the host wants to wake up the peripheral, it sets OPMODE[1:0] to 10b and transmits a K for at least 20 ms. The peripheral link sees the resume K on LINESTATE, and asserts STP to wake up the PHY.
4. EOP: When STP is asserted, the ISP1716A on the host side automatically appends an EOP of two bits of SE0 at low-speed bit rate, followed by one bit of J. The ISP1716A on the host side knows to add the EOP because DP_PULLDOWN and DM_PULLDOWN are set to 1b for a host. After the EOP is completed, the host link sets OPMODE[1:0] to 00b for normal operation. The peripheral link sees the EOP and also resumes normal operation.

RESTRICTED
DISTRIBUTION

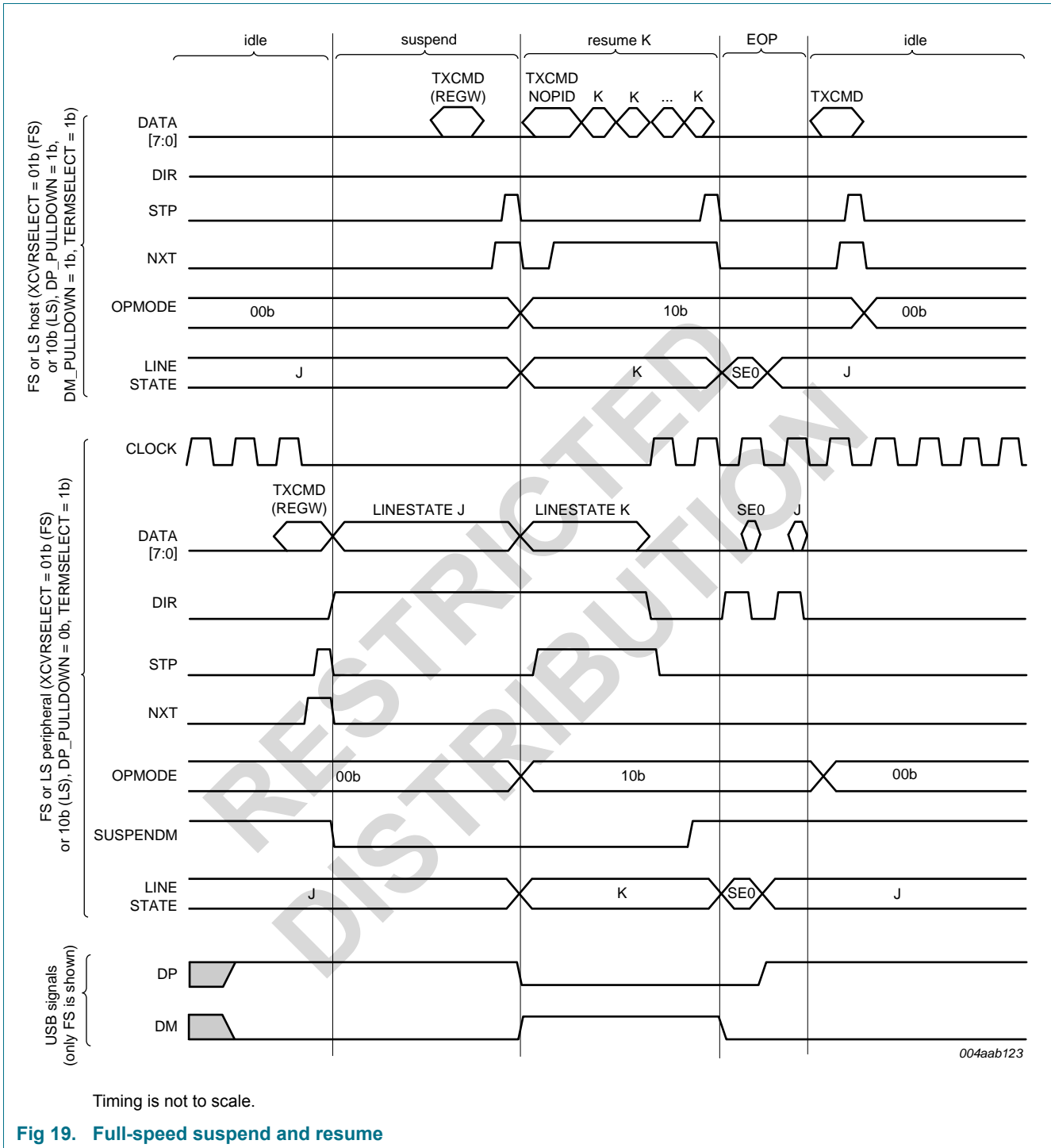


Fig 19. Full-speed suspend and resume

10.8.2 High-speed suspend and resume

Figure 20 illustrates how a host or a hub places a high-speed enabled peripheral into suspend and then initiates resume signaling. The high-speed peripheral will wake up and return to high-speed operations. Note that Figure 20 timing is not to scale, and does not show all RXCMD LINESTATE updates.

The sequence of events related to a host and a peripheral, both with ISP1716A, is as follows:

1. High-speed idle: Initially, the host and the peripheral are idle. The host has its 15 k Ω pull-down resistors enabled (DP_PULLDOWN and DM_PULLDOWN are set to 1b) and 45 Ω terminations enabled (TERMSELECT is set to 0b). The peripheral has its 45 Ω terminations enabled (TERMSELECT is set to 0b).
2. Full-speed suspend: When the peripheral sees no bus activity for 3 ms, it enters the suspend state. The peripheral link places the ISP1716A into full-speed mode (XCVRSELECT is set to 01b), removes 45 Ω terminations, and enables the 1.5 k Ω pull-up resistor on DP (TERMSELECT is set to 1b). The peripheral link then places the ISP1716A into low-power mode by clearing SUSPENDM, causing the ISP1716A to draw only suspend current. The host also changes the ISP1716A to full-speed, (XCVRSELECT is set to 01b), removes 45 Ω terminations (TERMSELECT is set to 1b), and then may or may not be powered down.
3. Resume K: When the host wants to wake up the peripheral, it sets OPMODE to 10b and transmits a full-speed K for at least 20 ms. The peripheral link sees the resume K (10b) on LINESTATE, and asserts STP to wake up the ISP1716A.
4. High-speed traffic: The host link sets high-speed (XCVRSELECT is set to 00b), and enables its 45 Ω terminations (TERMSELECT is set to 0b). The peripheral link sees SE0 on LINESTATE and also sets high-speed (XCVRSELECT is set to 00b), and enables its 45 Ω terminations (TERMSELECT is set to 0b). The host link sets OPMODE to 00b for normal high-speed operation.

RESTRICTED
DISTRIBUTION

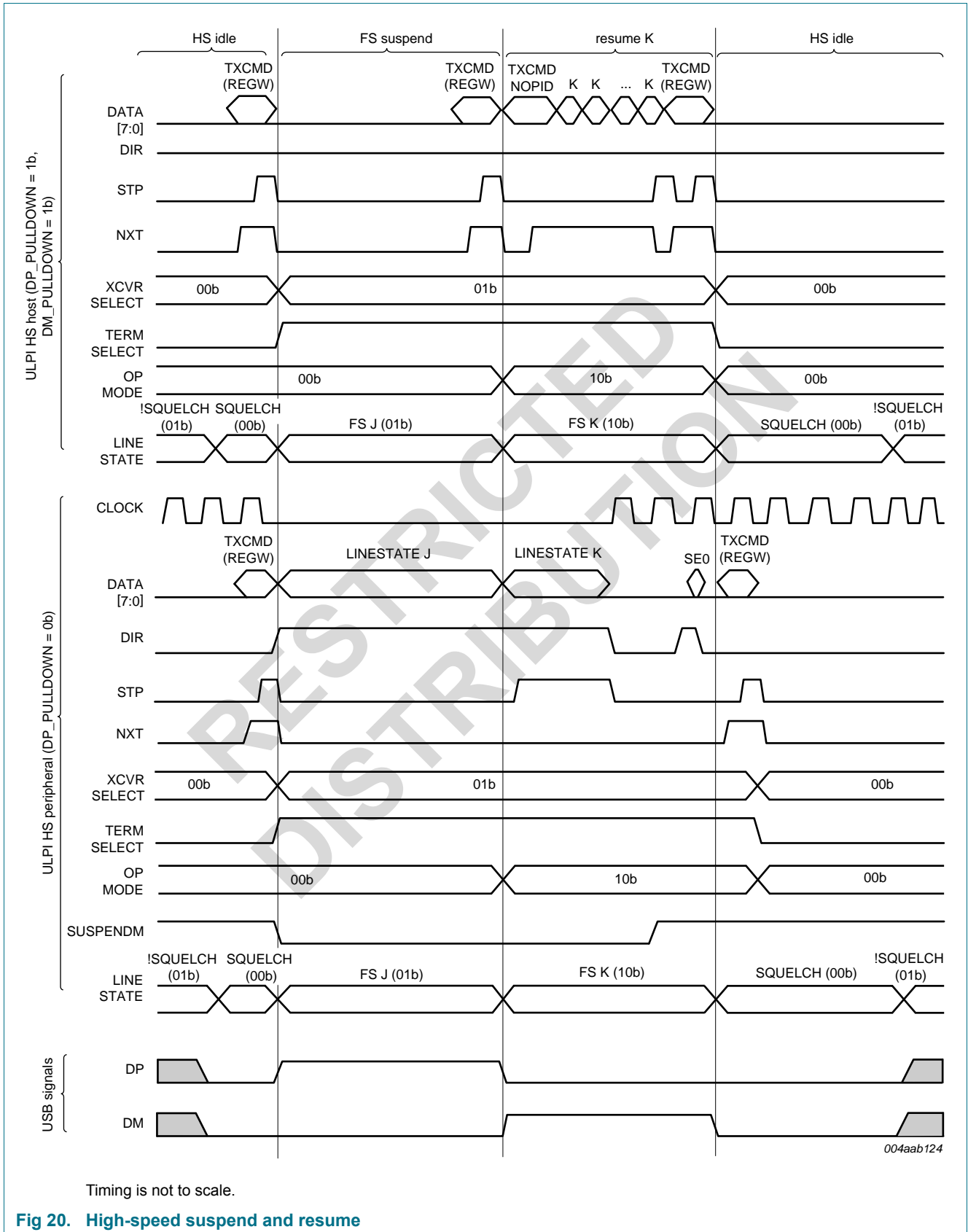


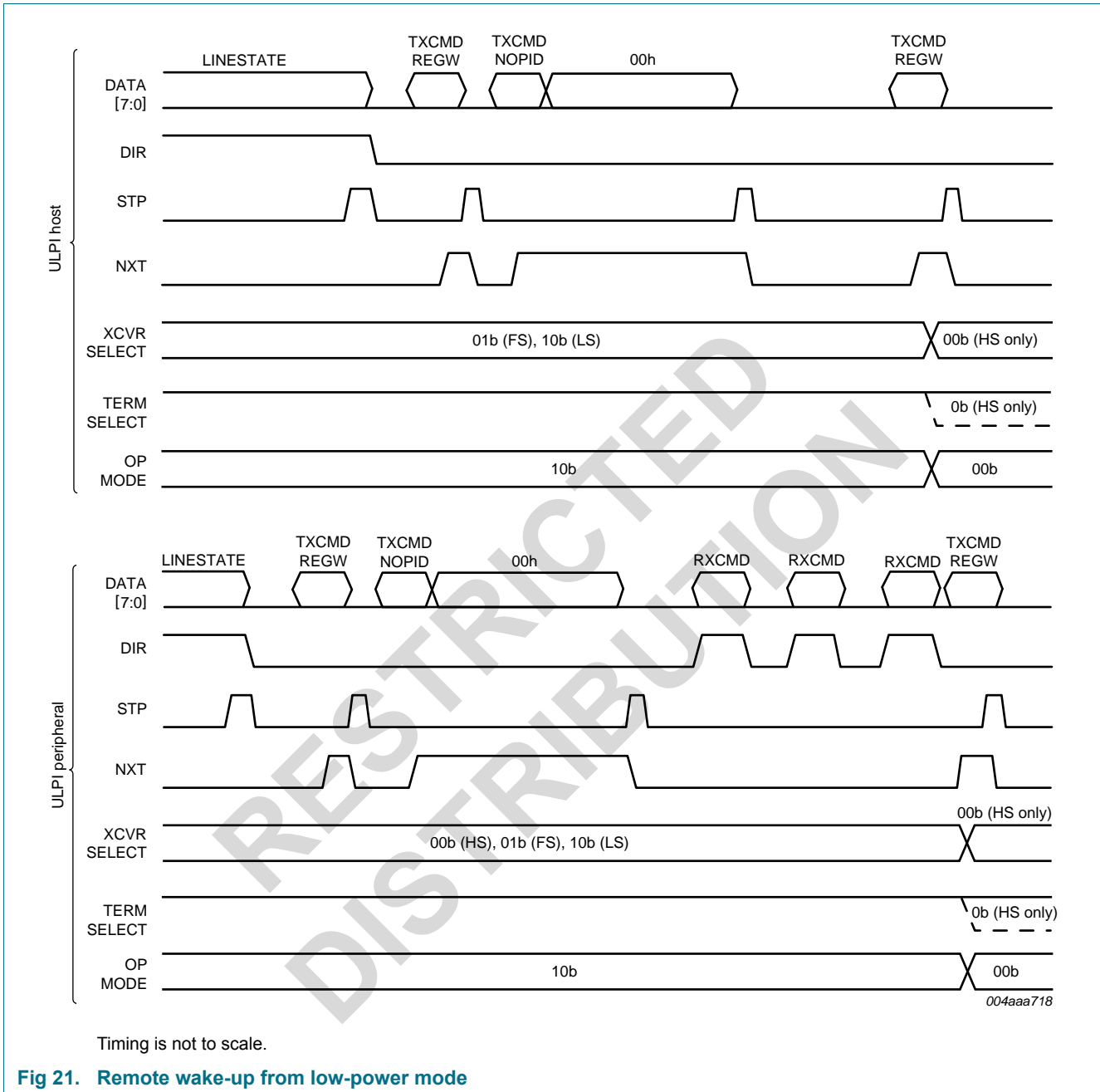
Fig 20. High-speed suspend and resume

10.8.3 Remote wake-up

The ISP1716A supports peripherals that initiate remote wake-up resume. When placed into USB suspend, the peripheral link remembers at what speed it was originally operating. Depending on the original speed, the link follows one of the protocols detailed here. In [Figure 21](#), timing is not to scale, and not all RXCMD LINESTATE updates are shown.

The sequence of events related to a host and a peripheral, both with ISP1716A, is as follows:

1. Both the host and the peripheral are assumed to be in low-power mode.
2. The peripheral begins remote wake-up by re-enabling its clock and setting its SUSPENDM bit to 1b.
3. The peripheral begins driving K on the bus to signal resume. Note that the peripheral link must assume that LINESTATE is K (01b) while transmitting because it will not receive any RXCMDs.
4. The host recognizes the resume, re-enables its clock, and sets its SUSPENDM bit.
5. The host takes over resume driving within 1 ms of detecting the remote wake-up.
6. The peripheral stops driving resume.
7. The peripheral sees the host continuing to drive the resume.
8. The host stops driving resume and the ISP1716A automatically adds the EOP to the end of the resume. The peripheral recognizes the EOP as the end of resume.
9. Both the host and the peripheral revert to normal operation by writing 00b to OPMODE. If the host or the peripheral was previously in high-speed mode, it must revert to high-speed before the SE0 of the EOP is completed. This can be achieved by writing XCVRSELECT[1:0] = 00b and TERMSELECT = 0b after LINESTATE indicates SE0.



10.9 No automatic SYNC and EOP generation (optional)

This setting allows the link to turn off the automatic SYNC and EOP generation, and must be used for high-speed packets only. It is provided for backwards compatibility with legacy controllers that include SYNC and EOP bytes in the data payload when transmitting packets. The ISP1716A will not automatically generate SYNC and EOP patterns when OPMODE[1:0] is set to 11b. The ISP1716A will still NRZI encode data and perform bit stuffing. An example of a sequence is shown in [Figure 22](#). The link must always send packets using the TXCMD (NOPID) type. The ISP1716A does not provide a mechanism to control bit stuffing in individual bytes, but will automatically turn off bit stuffing for EOP when STP is asserted with data set to FEh. If data is set to 00h when STP is asserted, the

PHY will not transmit any EOP. The ISP1716A will also detect if the PID byte is A5h, indicating an SOF packet, and automatically send a long EOP when STP is asserted. To transmit chirp and resume signaling, the link must set OPMODE to 10b.

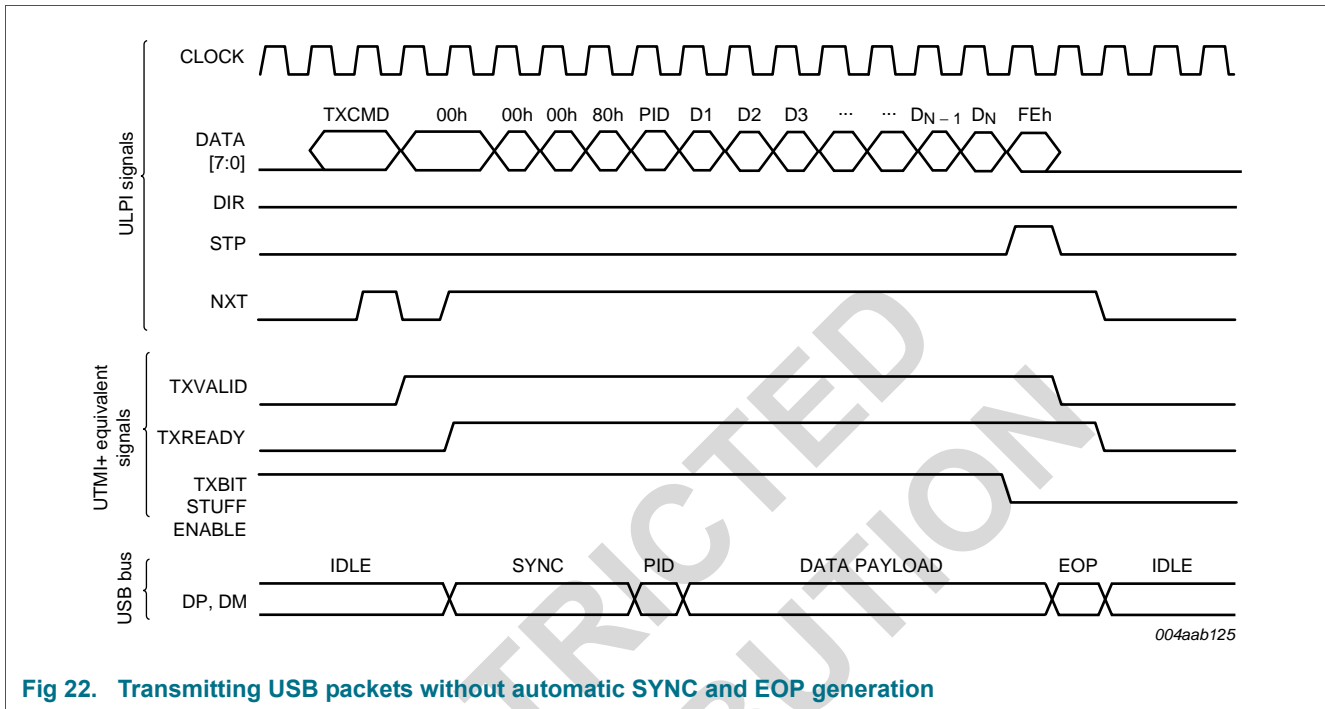


Fig 22. Transmitting USB packets without automatic SYNC and EOP generation

10.10 On-The-Go operations

On-The-Go (OTG) is a supplement to *Universal Serial Bus Specification Rev. 2.0* that allows a portable USB device to assume the role of a limited USB host by defining improvements, such as a small connector and low power. Non-portable devices, such as standard hosts and embedded hosts, can also benefit from OTG features.

The ISP1716A OTG PHY is designed to support all the tasks specified in the OTG supplement. The ISP1716A provides the front end analog support for Host Negotiation Protocol (HNP) and Session Request Protocol (SRP) for dual-role devices. The supporting components include:

- Voltage comparators
 - A_VBUS_VLD
 - SESS_VLD (session valid, can be used for both A-session valid and B-session valid)
 - SESS_END (session end)
- Pull-up and pull-down resistors on DP and DM
- ID detector indicates if micro-A or micro-B plug is inserted
- Charge and discharge resistors on V_{BUS}

The following subsections describe how to use the ISP1716A OTG components.

10.10.1 OTG comparators

The ISP1716A provides comparators that conform to *On-The-Go Supplement to the USB 2.0 Specification Rev. 1.3* requirements of $V_{A_VBUS_VLD}$, $V_{A_SESS_VLD}$, $V_{B_SESS_VLD}$, and $V_{B_SESS_END}$. In this data sheet, $V_{A_SESS_VLD}$ and $V_{B_SESS_VLD}$ are combined into $V_{A_SESS_VLD}$. Comparators are described in [Section 8.7.2](#). Changes in comparator values are communicated to the link by RXCMDs as described in [Section 10.3.2](#). Control over comparators is described in [Section 11.8](#) to [Section 11.11](#).

10.10.2 Pull-up and pull-down resistors

The USB resistors on DP and DM can be used to initiate data-line pulsing SRP. The link must set the required bus state using the mode settings in [Table 13](#).

10.10.3 ID detection

The ISP1716A provides an internal pull-up resistor to sense the state of the ID pin. The pull-up resistor must first be enabled by setting the ID_PULLUP register bit to logic 1. If the state of pin ID has changed, the ISP1716A will send an RXCMD or interrupt to the link by time t_{ID} . If the link does not receive any RXCMD or interrupt by t_{ID} , then the ID state has not changed.

10.10.4 V_{BUS} charge and discharge resistors

A pull-up resistor, $R_{UP(VBUS)}$, is provided to perform V_{BUS} pulsing SRP. A B-device is allowed to charge V_{BUS} above the session valid threshold to request the host to turn on the V_{BUS} voltage.

A pull-down resistor, $R_{DN(VBUS)}$, is provided for a B-device to discharge V_{BUS} . This is done whenever the A-device turns off the V_{BUS} voltage; the B-device can use the pull-down resistor to ensure V_{BUS} is below $V_{B_SESS_END}$ before starting a session.

For details, refer to *On-The-Go Supplement to the USB 2.0 Specification Rev. 1.3*.

10.11 Serial modes

The ISP1716A supports both 6-pin serial mode and 3-pin serial mode, controlled by bits 6PIN_FSL_SERIAL and 3PIN_FSL_SERIAL of the INTF_CTRL register (see [Section 11.6](#)). For details, refer to *UTMI+ Low Pin Interface (ULPI) Specification Rev. 1.1, Section 3.10*.

[Figure 23](#) and [Figure 24](#) provide examples of 6-pin serial mode and 3-pin serial mode, respectively.

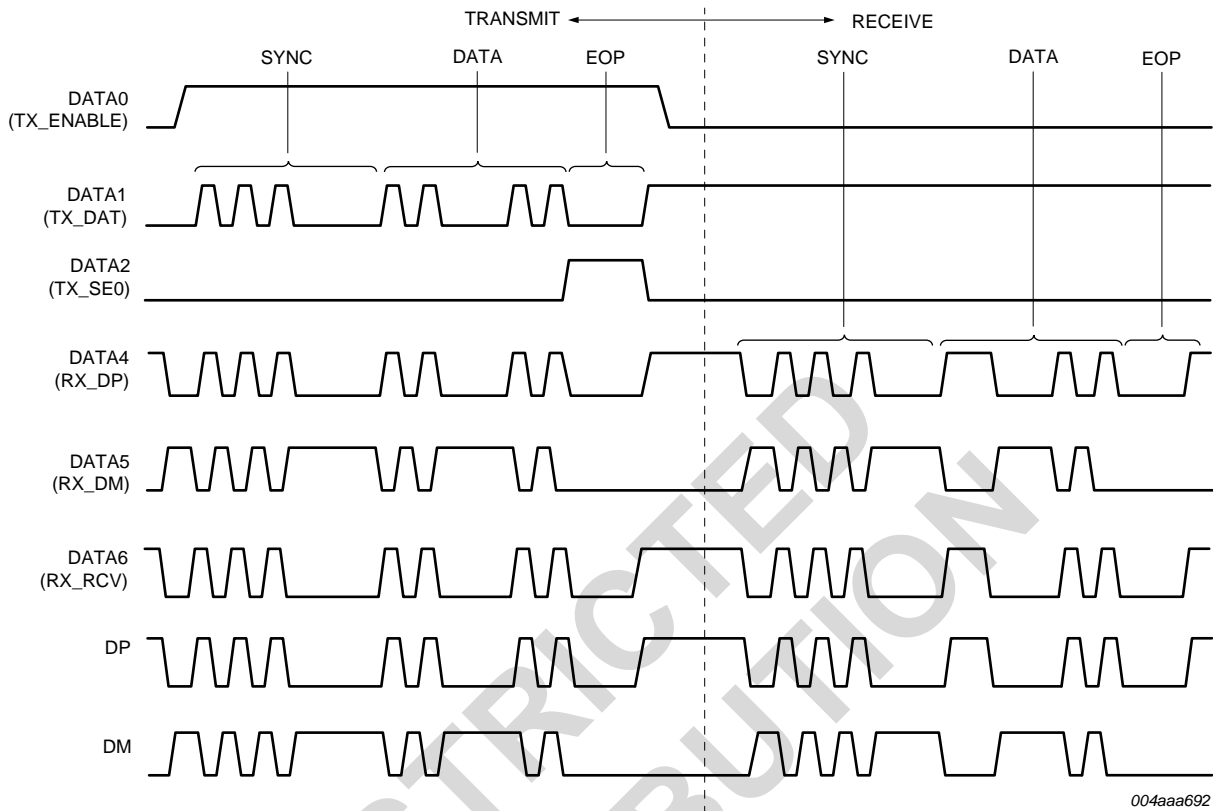


Fig 23. Example of transmit followed by receive in 6-pin serial mode

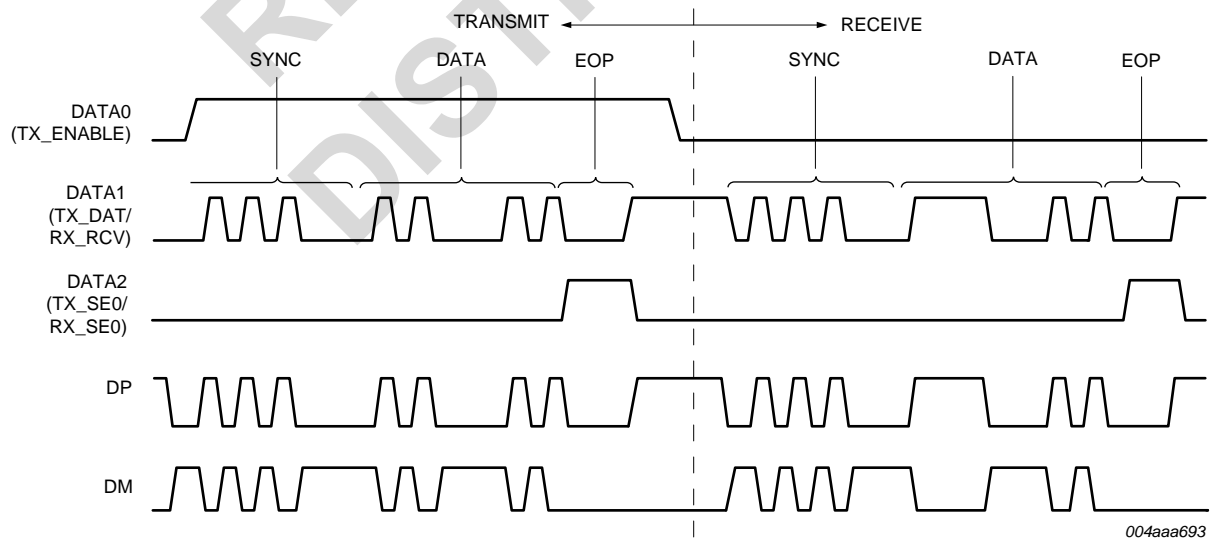


Fig 24. Example of transmit followed by receive in 3-pin serial mode

10.12 Aborting transfers

The ISP1716A supports aborting transfers on the ULPI bus. For details, refer to *UTMI+ Low Pin Interface (ULPI) Specification Rev. 1.1, Section 3.8.4*.

10.13 Avoiding contention on the ULPI data bus

Because the ULPI data bus is bidirectional, avoid situations in which both the link and the PHY simultaneously drive the data bus.

The following points must be considered while implementing the data bus drive control on the link.

After power-up and clock stabilization, default states are as follows:

- The ISP1716A drives DIR to LOW.
- The data bus is input to the ISP1716A.
- The ULPI link data bus is output, with all data bus lines driven to LOW.

When the ISP1716A wants to take control of the data bus to initiate a data transfer, it changes the DIR state from LOW to HIGH.

At this point, the link must disable its output buffers. This must be as fast as possible so the link must use a combinational path from DIR.

The ISP1716A will not immediately enable its output buffers, but will delay the enabling of its buffers until the next clock edge, avoiding bus contention.

When the data transfer is no longer required by the ISP1716A, it changes DIR from HIGH to LOW and starts to immediately turn off its output drivers. The link senses the change of DIR from HIGH to LOW, but delays enabling its output buffers for one CLOCK cycle, avoiding data bus contention.

11. Register map

Table 23. Register map

| Field name | Size (bit) | Address (6 bit) | | | | References |
|-----------------|------------|------------------|------------------|------------------|------------------|--|
| | | R ^[1] | W ^[2] | S ^[3] | C ^[4] | |
| VENDOR_ID_LOW | 8 | 00h | - | - | - | Section 11.1 on page 52 |
| VENDOR_ID_HIGH | 8 | 01h | - | - | - | Section 11.2 on page 52 |
| PRODUCT_ID_LOW | 8 | 02h | - | - | - | Section 11.3 on page 53 |
| PRODUCT_ID_HIGH | 8 | 03h | - | - | - | Section 11.4 on page 53 |
| FUNC_CTRL | 8 | 04h to 06h | 04h | 05h | 06h | Section 11.5 on page 53 |
| INTF_CTRL | 8 | 07h to 09h | 07h | 08h | 09h | Section 11.6 on page 54 |
| OTG_CTRL | 8 | 0Ah to 0Ch | 0Ah | 0Bh | 0Ch | Section 11.7 on page 56 |
| USB_INTR_EN_R | 8 | 0Dh to 0Fh | 0Dh | 0Eh | 0Fh | Section 11.8 on page 58 |
| USB_INTR_EN_F | 8 | 10h to 12h | 10h | 11h | 12h | Section 11.9 on page 58 |
| USB_INTR_STAT | 8 | 13h | - | - | - | Section 11.10 on page 59 |
| USB_INTR_L | 8 | 14h | - | - | - | Section 11.11 on page 59 |
| DEBUG | 8 | 15h | - | - | - | Section 11.12 on page 60 |
| SCRATCH | 8 | 16h to 18h | 16h | 17h | 18h | Section 11.13 on page 61 |
| CARKIT_CTRL | 8 | 19h to 1Bh | 19h | 1Ah | 1Bh | Section 11.14 on page 61 |
| Reserved | 8 | 1Ch to 3Ch | - | - | - | - |
| PWR_CTRL | 8 | 3Dh to 3Fh | 3Dh | 3Eh | 3Fh | Section 11.15 on page 62 |

- [1] Read (R): A register can be read. Read-only if this is the only mode given.
 [2] Write (W): The pattern on the data bus will be written over all bits of a register.
 [3] Set (S): The pattern on the data bus is OR-ed with and written to a register.
 [4] Clear (C): The pattern on the data bus is a mask. If a bit in the mask is set, then the corresponding register bit will be set to zero (cleared).

11.1 VENDOR_ID_LOW register

[Table 24](#) shows the bit description of the register.

Table 24. VENDOR_ID_LOW - Vendor ID low register (address R = 00h) bit description

Legend: * reset value

| Bit | Symbol | Access | Value | Description |
|--------|--------------------|--------|-------|--|
| 7 to 0 | VENDOR_ID_LOW[7:0] | R | CCh* | Vendor ID low: Lower byte of the ST-Ericsson vendor ID supplied by USB-IF; fixed value of CCh |

11.2 VENDOR_ID_HIGH register

[Table 25](#) shows the bit description of the register.

Table 25. VENDOR_ID_HIGH - Vendor ID high register (address R = 01h) bit description

Legend: * reset value

| Bit | Symbol | Access | Value | Description |
|--------|---------------------|--------|-------|---|
| 7 to 0 | VENDOR_ID_HIGH[7:0] | R | 04h* | Vendor ID high: Upper byte of the ST-Ericsson vendor ID supplied by USB-IF; fixed value of 04h |

11.3 PRODUCT_ID_LOW register

The bit description of the register is given in [Table 26](#).

Table 26. PRODUCT_ID_LOW - Product ID low register (address R = 02h) bit description
Legend: * reset value

| Bit | Symbol | Access | Value | Description |
|--------|---------------------|--------|-------|--|
| 7 to 0 | PRODUCT_ID_LOW[7:0] | R | 16h* | Product ID low: Lower byte of the ST-Ericsson product ID number; fixed value of 16h |

11.4 PRODUCT_ID_HIGH register

The bit description of the register is given in [Table 27](#).

Table 27. PRODUCT_ID_HIGH - Product ID high register (address R = 03h) bit description
Legend: * reset value

| Bit | Symbol | Access | Value | Description |
|--------|----------------------|--------|-------|---|
| 7 to 0 | PRODUCT_ID_HIGH[7:0] | R | 17h* | Product ID high: Upper byte of the ST-Ericsson product ID number; fixed value of 17h |

11.5 FUNC_CTRL register

This register controls UTMI function settings of the ISP1716A. The bit allocation of the register is given in [Table 28](#).

Table 28. FUNC_CTRL - Function control register (address R = 04h to 06h, W = 04h, S = 05h, C = 06h) bit allocation

| Bit | 7 | 6 | 5 | 4 | 3 | 2 | 1 | 0 |
|---------------|----------|----------|---------|-------------|---------|-------------|-----------------|---------|
| Symbol | reserved | SUSPENDM | RESET | OPMODE[1:0] | | TERM SELECT | XCVRSELECT[1:0] | |
| Reset | 0 | 1 | 0 | 0 | 0 | 0 | 0 | 1 |
| Access | R/W/S/C | R/W/S/C | R/W/S/C | R/W/S/C | R/W/S/C | R/W/S/C | R/W/S/C | R/W/S/C |

Table 29. FUNC_CTRL - Function control register (address R = 04h to 06h, W = 04h, S = 05h, C = 06h) bit description

| Bit | Symbol | Description |
|-----|----------|--|
| 7 | - | reserved |
| 6 | SUSPENDM | <p>Suspend: Active-LOW PHY suspend.</p> <p>Places the ISP1716A into low-power mode. The ISP1716A will power down all blocks, except the full-speed receiver, OTG comparators, and ULPI interface pins.</p> <p>To come out of low-power mode, the link must assert STP. The ISP1716A will automatically set this bit to logic 1 when it exits low-power mode.</p> <p>0b — Low-power mode 1b — Powered</p> |
| 5 | RESET | <p>Reset: Active-HIGH transceiver reset.</p> <p>After the link sets this bit, the ISP1716A will assert DIR and reset the digital core. This does not reset the ULPI interface or the ULPI register set.</p> <p>When the reset is completed, the ISP1716A will deassert DIR and automatically clear this bit, followed by an RXCMD update to the link.</p> <p>The link must wait for DIR to be deasserted before using the ULPI bus.</p> <p>0b — Do not reset 1b — Reset</p> |

Table 29. FUNC_CTRL - Function control register (address R = 04h to 06h, W = 04h, S = 05h, C = 06h) bit description ...continued

| Bit | Symbol | Description |
|--------|-----------------|---|
| 4 to 3 | OPMODE[1:0] | Operation mode: Selects the required bit-encoding style during transmit. 00b — Normal operation 01b — Non-driving 10b — Disable bit-stuffing and NRZI encoding 11b — Do not automatically add SYNC and EOP when transmitting; must be used only for high-speed packets |
| 2 | TERMSELECT | Termination select: Controls the internal 1.5 k Ω full-speed pull-up resistor and 45 Ω high-speed terminations. Control over bus resistors changes, depending on XCVRSELECT[1:0], OPMODE[1:0], DP_PULLDOWN, and DM_PULLDOWN, as shown in Table 13 . |
| 1 to 0 | XCVRSELECT[1:0] | Transceiver select: Selects the required transceiver speed. 00b — Enable the high-speed transceiver 01b — Enable the full-speed transceiver 10b — Enable the low-speed transceiver 11b — Enable the full-speed transceiver for low-speed packets (full-speed preamble is automatically prefixed) |

11.6 INTF_CTRL register

The INTF_CTRL register enables alternative interfaces. All of these modes are optional features provided for legacy link cores. Setting more than one of these fields results in undefined behavior. [Table 30](#) provides the bit allocation of the register.

Table 30. INTF_CTRL - Interface control register (address R = 07h to 09h, W = 07h, S = 08h, C = 09h) bit allocation

| Bit | 7 | 6 | 5 | 4 | 3 | 2 | 1 | 0 |
|---------------|---------------|---------------|-----------|----------|----------------|-------------|-----------------|-----------------|
| Symbol | INTF_PROT_DIS | IND_PASS_THRU | IND_COMPL | reserved | CLOCK_SUSPENDM | CARKIT_MODE | 3PIN_FSL_SERIAL | 6PIN_FSL_SERIAL |
| Reset | 0 | 0 | 0 | 0 | 0 | 0 | 0 | 0 |
| Access | R/W/S/C | R/W/S/C | R/W/S/C | R/W/S/C | R/W/S/C | R/W/S/C | R/W/S/C | R/W/S/C |

Table 31. INTF_CTRL - Interface control register (address R = 07h to 09h, W = 07h, S = 08h, C = 09h) bit description

| Bit | Symbol | Description |
|-----|----------------|--|
| 7 | INTF_PROT_DIS | <p>Interface protect disable: Controls circuitry built into the ISP1716A to protect the ULPI interface when the link 3-states STP and DATA[7:0]. When this bit is enabled, the ISP1716A will automatically detect when the link stops driving STP.</p> <p>0b — Enables the interface protect circuit. The ISP1716A attaches a weak pull-up resistor on STP. If STP is unexpectedly HIGH, the ISP1716A attaches weak pull-down resistors on DATA[7:0], protecting data inputs.</p> <p>1b — Disables the interface protect circuit, detaches weak pull-down resistors on DATA[7:0], and a weak pull-up resistor on STP.</p> |
| 6 | IND_PASSTHRU | <p>Indicator pass-through: Controls whether the complement output is qualified with the internal A_VBUS_VLD comparator before being used in the V_{BUS} state in RXCMD.</p> <p>0b — The complement output signal is qualified with the internal A_VBUS_VLD comparator.</p> <p>1b — The complement output signal is not qualified with the internal A_VBUS_VLD comparator.</p> |
| 5 | IND_COMPL | <p>Indicator complement: Informs the ISP1716A to invert the FAULT input signal, generating the complement output.</p> <p>0b — The ISP1716A will not invert the FAULT signal.</p> <p>1b — The ISP1716A will invert the FAULT signal.</p> |
| 4 | - | reserved |
| 3 | CLOCK_SUSPENDM | <p>Clock suspend: Active-LOW clock suspend.</p> <p>Powers down the internal clock circuitry only. By default, the clock will not be powered in serial or UART mode.</p> <p>Valid only in serial or UART mode. Valid only when SUSPENDM is set to logic 1, otherwise this bit is ignored.</p> <p>0b — Clock will not be powered in 3-pin or 6-pin serial mode, or UART mode.</p> <p>1b — Clock will be powered in 3-pin and 6-pin serial mode, or UART mode.</p> |

Table 31. INTF_CTRL - Interface control register (address R = 07h to 09h, W = 07h, S = 08h, C = 09h) bit description ...continued

| Bit | Symbol | Description |
|-----|------------------|--|
| 2 | CARKIT_MODE | <p>Carkit mode: Changes the ULPI interface to the carkit interface (UART mode). Bits TXD_EN and RXD_EN in the CARKIT_CTRL register (see Section 11.14) must change as well. The ISP1716A will automatically clear this bit when carkit mode is exited.</p> <p>0b — Disable carkit mode</p> <p>1b — Enable carkit mode</p> |
| 1 | 3PIN_FSLC_SERIAL | <p>3-pin full-speed low-speed serial mode: Changes the ULPI interface to a 3-bit serial interface. The ISP1716A will automatically clear this bit when 3-pin serial mode is exited.</p> <p>0b — Full-speed or low-speed packets are sent using the parallel interface.</p> <p>1b — Full-speed or low-speed packets are sent using the 3-pin serial interface.</p> |
| 0 | 6PIN_FSLC_SERIAL | <p>6-pin full-speed low-speed serial mode: Changes the ULPI interface to a 6-bit serial interface. The ISP1716A will automatically clear this bit when 6-pin serial mode is exited.</p> <p>0b — Full-speed or low-speed packets are sent using the parallel interface.</p> <p>1b — Full-speed or low-speed packets are sent using the 6-pin serial interface.</p> |

11.7 OTG_CTRL register

This register controls various OTG functions of the ISP1716A. The bit allocation of the OTG_CTRL register is given in [Table 32](#).

Table 32. OTG_CTRL - OTG control register (address R = 0Ah to 0Ch, W = 0Ah, S = 0Bh, C = 0Ch) bit allocation

| Bit | 7 | 6 | 5 | 4 | 3 | 2 | 1 | 0 |
|---------------|------------------|--------------|----------|-----------|--------------|--------------|--------------|---------------------------|
| Symbol | USE_EXT_VBUS_IND | DRV_VBUS_EXT | reserved | CHRG_VBUS | DISCHRG_VBUS | DM_PULL_DOWN | DP_PULL_DOWN | ID_PULL_UP ^[1] |
| Reset | 0 | 0 | 0 | 0 | 0 | 1 | 1 | 0 |
| Access | R/W/S/C | R/W/S/C | R/W/S/C | R/W/S/C | R/W/S/C | R/W/S/C | R/W/S/C | R/W/S/C |

[1] A weak pull-up, which can detect ID correctly, is present when the ID_PULLUP bit is disabled. It is, however, mandatory that the link enables ID_PULLUP.

Table 33. OTG_CTRL - OTG control register (address R = 0Ah to 0Ch, W = 0Ah, S = 0Bh, C = 0Ch) bit description

| Bit | Symbol | Description |
|-----|------------------|---|
| 7 | USE_EXT_VBUS_IND | <p>Use external V_{BUS} indicator: Informs the ISP1716A to use an external V_{BUS} overcurrent indicator.</p> <p>0b — Use the internal OTG comparator</p> <p>1b — Use the external V_{BUS} valid indicator signal input from the FAULT pin</p> |
| 6 | DRV_VBUS_EXT | <p>Drive V_{BUS} external: Controls the external charge pump or 5 V supply by the PSW_N pin.</p> <p>0b — PSW_N is HIGH</p> <p>1b — PSW_N to LOW</p> |
| 5 | - | reserved |
| 4 | CHRG_VBUS | <p>Charge V_{BUS}: Charges V_{BUS} through a resistor. Used for the V_{BUS} pulsing of SRP. The link must first check that V_{BUS} is discharged (see bit DISCHRG_VBUS), and that both the DP and DM data lines have been LOW (SE0) for 2 ms.</p> <p>0b — Do not charge V_{BUS}</p> <p>1b — Charge V_{BUS}</p> |
| 3 | DISCHRG_VBUS | <p>Discharge V_{BUS}: Discharges V_{BUS} through a resistor. If the link sets this bit to logic 1, it waits for an RXCMD indicating that SESS_END has changed from logic 0 to logic 1, and then resets this bit to logic 0 to stop the discharge.</p> <p>0b — Do not discharge V_{BUS}</p> <p>1b — Discharge V_{BUS}</p> |
| 2 | DM_PULLDOWN | <p>DM pull down: Enables the 15 kΩ pull-down resistor on DM.</p> <p>0b — Pull-down resistor is not connected to DM</p> <p>1b — Pull-down resistor is connected to DM</p> |
| 1 | DP_PULLDOWN | <p>DP pull down: Enables the 15 kΩ pull-down resistor on DP.</p> <p>0b — Pull-down resistor is not connected to DP</p> <p>1b — Pull-down resistor is connected to DP</p> |
| 0 | ID_PULLUP | <p>ID pull up: Connects a pull-up to the ID line and enables sampling of the ID level. Disabling the ID line sampler will reduce the ISP1716A power consumption.</p> <p>0b — Disables sampling of the ID line</p> <p>1b — Enables sampling of the ID line</p> |

11.8 USB_INTR_EN_R register

The bits in this register enable interrupts and RXCMDs to be sent when the corresponding bits in the USB_INTR_STAT register change from logic 0 to logic 1. By default, all transitions are enabled. [Table 34](#) shows the bit allocation of the register.

Table 34. USB_INTR_EN_R - USB interrupt enable rising register (address R = 0Dh to 0Fh, W = 0Dh, S = 0Eh, C = 0Fh) bit allocation

| Bit | 7 | 6 | 5 | 4 | 3 | 2 | 1 | 0 |
|--------|----------|---------|---------|----------|------------|--------------|--------------|---------------|
| Symbol | reserved | | | ID_GND_R | SESS_END_R | SESS_VALID_R | VBUS_VALID_R | HOST_DISCON_R |
| Reset | 0 | 0 | 0 | 1 | 1 | 1 | 1 | 1 |
| Access | R/W/S/C | R/W/S/C | R/W/S/C | R/W/S/C | R/W/S/C | R/W/S/C | R/W/S/C | R/W/S/C |

Table 35. USB_INTR_EN_R - USB interrupt enable rising register (address R = 0Dh to 0Fh, W = 0Dh, S = 0Eh, C = 0Fh) bit description

| Bit | Symbol | Description |
|--------|---------------|---|
| 7 to 5 | - | reserved |
| 4 | ID_GND_R | ID ground rise: Enables interrupts and RXCMDs for logic 0 to logic 1 transitions on ID_GND |
| 3 | SESS_END_R | Session end rise: Enables interrupts and RXCMDs for logic 0 to logic 1 transitions on SESS_END |
| 2 | SESS_VALID_R | Session valid rise: Enables interrupts and RXCMDs for logic 0 to logic 1 transitions on SESS_VLD |
| 1 | VBUS_VALID_R | V_{BUS} valid rise: Enables interrupts and RXCMDs for logic 0 to logic 1 transitions on A_VBUS_VLD |
| 0 | HOST_DISCON_R | Host disconnect rise: Enables interrupts and RXCMDs for logic 0 to logic 1 transitions on HOST_DISCON |

11.9 USB_INTR_EN_F register

The bits in this register enable interrupts and RXCMDs to be sent when the corresponding bits in the USB_INTR_STAT register change from logic 1 to logic 0. By default, all transitions are enabled. See [Table 36](#).

Table 36. USB_INTR_EN_F - USB interrupt enable falling register (address R = 10h to 12h, W = 10h, S = 11h, C = 12h) bit allocation

| Bit | 7 | 6 | 5 | 4 | 3 | 2 | 1 | 0 |
|--------|----------|---------|---------|----------|------------|--------------|--------------|---------------|
| Symbol | reserved | | | ID_GND_F | SESS_END_F | SESS_VALID_F | VBUS_VALID_F | HOST_DISCON_F |
| Reset | 0 | 0 | 0 | 1 | 1 | 1 | 1 | 1 |
| Access | R/W/S/C | R/W/S/C | R/W/S/C | R/W/S/C | R/W/S/C | R/W/S/C | R/W/S/C | R/W/S/C |

Table 37. USB_INTR_EN_F - USB interrupt enable falling register (address R = 10h to 12h, W = 10h, S = 11h, C = 12h) bit description

| Bit | Symbol | Description |
|--------|---------------|--|
| 7 to 5 | - | reserved |
| 4 | ID_GND_F | ID ground fall: Enables interrupts and RXCMDs for logic 1 to logic 0 transitions on ID_GND. |
| 3 | SESS_END_F | Session end fall: Enables interrupts and RXCMDs for logic 1 to logic 0 transitions on SESS_END. |
| 2 | SESS_VALID_F | Session valid fall: Enables interrupts and RXCMDs for logic 1 to logic 0 transitions on SESS_VLD. |
| 1 | VBUS_VALID_F | V_{BUS} valid fall: Enables interrupts and RXCMDs for logic 1 to logic 0 transitions on A_VBUS_VLD. |
| 0 | HOST_DISCON_F | Host disconnect fall: Enables interrupts and RXCMDs for logic 1 to logic 0 transitions on HOST_DISCON. |

11.10 USB_INTR_STAT register

This register (see [Table 38](#)) indicates the current value of the interrupt source signal.

Table 38. USB_INTR_STAT - USB interrupt status register (address R = 13h) bit allocation

| Bit | 7 | 6 | 5 | 4 | 3 | 2 | 1 | 0 |
|---------------|---|----------|---|--------|----------|------------|------------|-------------|
| Symbol | | reserved | | ID_GND | SESS_END | SESS_VALID | VBUS_VALID | HOST_DISCON |
| Reset | X | X | X | 0 | 0 | 0 | 0 | 0 |
| Access | R | R | R | R | R | R | R | R |

Table 39. USB_INTR_STAT - USB interrupt status register (address R = 13h) bit description

| Bit | Symbol | Description |
|--------|-------------|--|
| 7 to 5 | - | reserved |
| 4 | ID_GND | ID ground: Reflects the current state of the ID detector circuit. |
| 3 | SESS_END | Session end: Reflects the current value of the session end voltage comparator. |
| 2 | SESS_VALID | Session valid: Reflects the current value of the session valid voltage comparator. |
| 1 | VBUS_VALID | V_{BUS} valid: Reflects the current value of the V _{BUS} valid voltage comparator. |
| 0 | HOST_DISCON | Host disconnect: Reflects the current value of the host disconnect detector. |

11.11 USB_INTR_L register

The bits of the USB_INTR_L register are automatically set by the ISP1716A when an unmasked change occurs on the corresponding interrupt source signal. The ISP1716A will automatically clear all bits when the link reads this register, or when the ISP1716A enters low-power or serial mode.

Remark: It is optional for the link to read this register when the clock is running because all signal information will automatically be sent to the link through the RXCMD byte.

Remark: The link must read this register to clear all the bits before the PHY enters UART mode.

The bit allocation of this register is given in [Table 40](#).

Table 40. USB_INTR_L - USB interrupt latch register (address R = 14h) bit allocation

| Bit | 7 | 6 | 5 | 4 | 3 | 2 | 1 | 0 |
|--------|----------|---|---|----------|------------|--------------|--------------|---------------|
| Symbol | reserved | | | ID_GND_L | SESS_END_L | SESS_VALID_L | VBUS_VALID_L | HOST_DISCON_L |
| Reset | 0 | 0 | 0 | 0 | 0 | 0 | 0 | 0 |
| Access | R | R | R | R | R | R | R | R |

Table 41. USB_INTR_L - USB interrupt latch register (address R = 14h) bit description

| Bit | Symbol | Description |
|--------|---------------|--|
| 7 to 5 | - | reserved |
| 4 | ID_GND_L | ID ground latch: Automatically set when an unmasked event occurs on ID_GND. Cleared when this register is read. |
| 3 | SESS_END_L | Session end latch: Automatically set when an unmasked event occurs on SESS_END. Cleared when this register is read. |
| 2 | SESS_VALID_L | Session valid latch: Automatically set when an unmasked event occurs on SESS_VLD. Cleared when this register is read. |
| 1 | VBUS_VALID_L | V_{BUS} valid latch: Automatically set when an unmasked event occurs on A_VBUS_VLD. Cleared when this register is read. |
| 0 | HOST_DISCON_L | Host disconnect latch: Automatically set when an unmasked event occurs on HOST_DISCON. Cleared when this register is read. |

11.12 DEBUG register

The bit allocation of the DEBUG register is given in [Table 42](#). This register indicates the current value of signals useful for debugging.

Table 42. DEBUG - Debug register (address R = 15h) bit allocation

| Bit | 7 | 6 | 5 | 4 | 3 | 2 | 1 | 0 |
|--------|----------|---|---|---|---|---|-------------|-------------|
| Symbol | reserved | | | | | | LINE STATE1 | LINE STATE0 |
| Reset | 0 | 0 | 0 | 0 | 0 | 0 | 0 | 0 |
| Access | R | R | R | R | R | R | R | R |

Table 43. DEBUG - Debug register (address R = 15h) bit description

| Bit | Symbol | Description |
|--------|------------|--|
| 7 to 2 | - | reserved |
| 1 | LINESTATE1 | Line state 1: Contains the current value of LINESTATE 1 |
| 0 | LINESTATE0 | Line state 0: Contains the current value of LINESTATE 0 |

11.13 SCRATCH register

This is a 1-byte empty register for testing purposes, see [Table 44](#).

Table 44. SCRATCH - Scratch register (address R = 16h to 18h, W = 16h, S = 17h, C = 18h) bit description

Legend: * reset value

| Bit | Symbol | Access | Value | Description |
|--------|--------------|---------|-------|--|
| 7 to 0 | SCRATCH[7:0] | R/W/S/C | 00h* | Scratch: This is an empty register byte for testing purposes. Software can read, write, set, and clear this register. The functionality of the ISP1716A will not be affected. |

11.14 CARKIT_CTRL register

This register controls transparent UART mode. This register is only valid when the CARKIT_MODE bit in the INTF_CTRL register (see [Section 11.6](#)) is set. When entering UART mode, set the CARKIT_MODE bit, and then set the TXD_EN and RXD_EN bits. After entering UART mode, the ULPI interface is not available. To exit UART mode, assert the STP pin or perform a hardware reset using chip select.

For bit allocation, see [Table 45](#).

Table 45. CARKIT_CTRL - Carkit control register (address R = 19h to 1Bh, W = 19h, S = 1Ah, C = 1Bh) bit allocation

| Bit | 7 | 6 | 5 | 4 | 3 | 2 | 1 | 0 |
|--------|----------|---------|---------|---------|---------|---------|----------|---------|
| Symbol | reserved | | | | RXD_EN | TXD_EN | reserved | |
| Reset | 0 | 0 | 0 | 0 | 0 | 0 | 0 | 0 |
| Access | R/W/S/C | R/W/S/C | R/W/S/C | R/W/S/C | R/W/S/C | R/W/S/C | R/W/S/C | R/W/S/C |

Table 46. CARKIT_CTRL - Carkit control register (address R = 19h to 1Bh, W = 19h, S = 1Ah, C = 1Bh) bit description

| Bit | Symbol | Description |
|--------|--------|--|
| 7 to 4 | - | reserved; the link must never write logic 1 to these bits |
| 3 | RXD_EN | RXD enable: Routes the UART RXD signal from the DP pin to the DATA1 pin. This bit will automatically be cleared when UART mode is exited. |
| 2 | TXD_EN | TXD enable: Routes the UART TXD signal from the DATA0 pin to the DM pin. This bit will automatically be cleared when UART mode is exited. |
| 1 to 0 | - | reserved; the link must never write logic 1 to these bits |

11.15 PWR_CTRL register

This vendor-specific register controls the power feature of the ISP1716A. The bit allocation of the register is given in [Table 47](#).

Table 47. PWR_CTRL - Power control register (address R = 3Dh to 3Fh, W = 3Dh, S = 3Eh, C = 3Fh) bit allocation

| Bit | 7 | 6 | 5 | 4 | 3 | 2 | 1 | 0 |
|--------|----------|---------|---------|------------|-------------|-------------|----------|---------|
| Symbol | reserved | | | DP_WKPU_EN | BVALID_FALL | BVALID_RISE | reserved | |
| Reset | 0 | 0 | 0 | 0 | 0 | 0 | 0 | 0 |
| Access | R/W/S/C | R/W/S/C | R/W/S/C | R/W/S/C | R/W/S/C | R/W/S/C | R/W/S/C | R/W/S/C |

Table 48. PWR_CTRL - Power control register (address R = 3Dh to 3Fh, W = 3Dh, S = 3Eh, C = 3Fh) bit description

| Bit | Symbol | Description |
|--------|-------------|--|
| 7 to 5 | - | reserved; the link must never write logic 1 to these bits |
| 4 | DP_WKPU_EN | DP weak pull-up enable: Enable the weak pull-up resistor on the DP pin ($R_{weakUP(DP)}$) in synchronous mode when V_{BUS} is above the $V_{A_SESS_VLD}$ threshold. Note that when the ISP1716A is in UART mode, the DP weak pull-up will be enabled, regardless of the value of this register bit. 0 — DP weak pull-up is disabled. 1 — DP weak pull-up is enabled when $V_{BUS} > V_{A_SESS_VLD}$. |
| 3 | BVALID_FALL | BVALID fall: Enables RXCMDs for HIGH-to-LOW transitions on BVALID. When BVALID changes from HIGH to LOW, the ISP1716A will send an RXCMD to the link with the ALT_INT bit set to logic 1. This bit is optional and is not necessary for OTG devices. This bit is provided for debugging purposes. Disabled by default. |
| 2 | BVALID_RISE | BVALID rise: Enables RXCMDs for LOW-to-HIGH transitions on BVALID. When BVALID changes from LOW to HIGH, the ISP1716A will send an RXCMD to the link with the ALT_INT bit set to logic 1. This bit is optional and is not necessary for OTG devices. This bit is provided for debugging purposes. Disabled by default. |
| 1 to 0 | - | reserved; the link must never write logic 1 to these bits |

12. Limiting values

Table 49. Limiting values

In accordance with the Absolute Maximum Rating System (IEC 60134).

| Symbol | Parameter | Conditions | Min | Max | Unit | |
|---|-----------------------------|--|---------------------------------|--|------|----|
| V_{CC} | supply voltage | | -0.5 | +5.5 | V | |
| $V_{CC(I/O)}$ | input/output supply voltage | | -0.5 | +4.6 | V | |
| V_I | input voltage | on pins PSW_N and FAULT | -0.5 | +5.5 | V | |
| | | on pins CLOCK, STP, DATA[7:0], CFG1, CFG2, RESET_N, and CHIP_SEL_N | -0.5 | $V_{CC(I/O)} + 0.5$ ^{[1][2][3]} | V | |
| | | on pins ID and CFG0 | -0.5 | +4.6 | V | |
| | | on pin CLKIN | -0.5 | +4.6 | V | |
| | | on pins DP and DM | ^[4] -0.5 | +4.6 | V | |
| | | on pin V_{BUS} | ^[5] -0.5 | +5.5 | V | |
| | | V_{ESD} | electrostatic discharge voltage | human body model (JESD22-A114F) | -2 | +2 |
| charged device model (JESD22-C101-D) | on pin CLKIN | | | -250 | +250 | V |
| | all other pins | | | -500 | +500 | V |
| IEC 61000-4-2 contact on pins DP and DM | ^[6] -8 | | | +8 | kV | |
| I_{lu} | latch-up current | | -100 | +100 | mA | |
| T_{stg} | storage temperature | | -60 | +125 | °C | |

[1] Maximum value may not exceed 4.6 V.

[2] Includes voltage on outputs in 3-state mode.

[3] Only valid when the $V_{CC(I/O)}$ supply voltage is present.

[4] The ISP1716A has been tested according to the additional requirements listed in *Universal Serial Bus Specification Rev. 2.0, Section 7.1.1*. The short circuit withstand test and the AC stress test were performed for 24 hours, and the ISP1716A was found to be fully operational after the test completed.

[5] When an external series resistor is added to the V_{BUS} pin, it can withstand higher voltages for longer periods of time because the resistor limits the current flowing into the V_{BUS} pad. For example, with an external 1 k Ω resistor, V_{BUS} can tolerate 10 V for at least 5 seconds. Actual performance may vary, depending on the resistor used and whether other components are connected to V_{BUS} .

[6] The ISP1716A has been tested in-house according to the IEC 61000-4-2 standard on the DP and DM pins. It is recommended that customers perform their own ESD tests, depending on application requirements.

13. Recommended operating conditions

Table 50. Recommended operating conditions

| Symbol | Parameter | Conditions | Min | Typ | Max | Unit |
|---------------|-----------------------------|--|-----|-----|---------------|------|
| V_{CC} | supply voltage | | 3.0 | 3.6 | 4.5 | V |
| $V_{CC(I/O)}$ | input/output supply voltage | | 3.0 | 3.3 | 3.6 | V |
| V_I | input voltage | on pins PSW_N, FAULT, and V_{BUS} | 0 | - | 5.25 | V |
| | | on pins CLOCK, STP, DATA[7:0], CFG1, CFG2, RESET_N, and CHIP_SEL_N | 0 | - | $V_{CC(I/O)}$ | V |
| | | on pins DP, DM, ID, and CFG0 | 0 | - | 3.6 | V |
| | | on pin CLKIN | 0 | - | 3.6 | V |
| T_j | junction temperature | | -40 | - | +125 | °C |
| T_{amb} | ambient temperature | | -40 | +25 | +85 | °C |

RESTRICTED
DISTRIBUTION

14. Static characteristics

Table 51. Static characteristics: supply pins

$V_{CC} = 3.0\text{ V to }4.5\text{ V}$; $V_{CC(I/O)} = 3.0\text{ V to }3.6\text{ V}$; $T_{amb} = -40\text{ }^{\circ}\text{C to }+85\text{ }^{\circ}\text{C}$; unless otherwise specified.
 Typical values refer to $V_{CC} = 3.6\text{ V}$; $V_{CC(I/O)} = 3.3\text{ V}$; $T_{amb} = +25\text{ }^{\circ}\text{C}$; unless otherwise specified.

| Symbol | Parameter | Conditions | Min | Typ | Max | Unit | |
|---------------------|--|--|------|------|-----|---------------|---------------|
| $V_{POR(trip)}$ | power-on reset trip voltage | on pin REG1V8 | 0.95 | - | 1.5 | V | |
| I_{CC} | supply current | power-down mode ($V_{CC(I/O)}$ is lost or chip select is deasserted) | - | 0.5 | 10 | μA | |
| | | full-speed transceiver; bus idle; no USB activity | - | 14.2 | - | mA | |
| | | high-speed transceiver; bus idle; no USB activity | - | 32 | - | mA | |
| | | full-speed operating | - | 15 | - | mA | |
| | | high-speed operating | - | 34 | 55 | mA | |
| | | low-power mode (bit SUSPENDM = 0b); V_{BUS} valid detector disabled (bits $V_{BUS_VALID_R}$ and $V_{BUS_VALID_F}$ are cleared) | [1] | - | 70 | 100 | μA |
| | | UART mode; low-speed transceiver; idle | - | 750 | - | μA | |
| | | UART mode; full-speed transceiver; idle | - | 600 | - | μA | |
| $I_{CC(I/O)(stat)}$ | static supply current on pin $V_{CC(I/O)}$ | power-down mode (chip select is deasserted) | [2] | - | 10 | μA | |
| $I_{CC(I/O)}$ | supply current on pin $V_{CC(I/O)}$ | ULPI bus idle; 15 pF load on pin CLOCK | [3] | - | 2 | mA | |

[1] When the transceiver is configured as a peripheral controller, the 1.5 k Ω pull-up resistor on the device side will be connected to a 15 k Ω pull-down resistor on the host side according to *Universal Serial Bus Specification Rev. 2.0*. There will be an additional suspend current of 168.54 μA (minimum) to 229.67 μA (maximum).

[2] $I_{CC(I/O)(stat)}$ is 206 μA when $V_{CC(I/O)} = 3.6\text{ V}$

[3] The actual value of $I_{CC(I/O)}$ varies depending on the capacitance loading, interface voltage, and bus activity. Use the value provided here only as a reference.

Table 52. Static characteristics: full-speed serial

$V_{CC} = 3.0\text{ V to }4.5\text{ V}$; $V_{CC(I/O)} = 3.0\text{ V to }3.6\text{ V}$; $T_{amb} = -40\text{ }^{\circ}\text{C to }+85\text{ }^{\circ}\text{C}$; unless otherwise specified.
 Typical values refer to $V_{CC} = 3.6\text{ V}$; $V_{CC(I/O)} = 3.3\text{ V}$; $T_{amb} = +25\text{ }^{\circ}\text{C}$; unless otherwise specified. [1]

| Symbol | Parameter | Conditions | Min | Typ | Max | Unit | |
|----------|----------------|---|---------------------------------|-----|-----|------|----|
| I_{CC} | supply current | with ULPI CLOCK and PLL blocks off (bit CLOCK_SUSPENDM cleared; default); 1.8 m USB cable connected | transmitting (maximum toggling) | - | 17 | - | mA |
| | | | receiving | - | 5 | - | mA |
| | | | idle | - | 4 | - | mA |
| | | with ULPI CLOCK and PLL blocks on (bit CLOCK_SUSPENDM set); 1.8 m USB cable connected | transmitting (maximum toggling) | - | 26 | - | mA |
| | | | receiving | - | 14 | - | mA |
| | | | idle | - | 13 | - | mA |

[1] This current consumption is applicable only when the ISP1716A is interfaced to links that can configure and work in serial mode.

Table 53. Static characteristics: digital pins

Digital pins: CLOCK, DIR, STP, NXT, DATA[7:0], CHIP_SEL_N, CFG1, CFG2, and RESET_N; unless otherwise specified.
 $V_{CC} = 3.0\text{ V to }4.5\text{ V}$; $V_{CC(I/O)} = 3.0\text{ V to }3.6\text{ V}$; $T_{amb} = -40\text{ }^{\circ}\text{C to }+85\text{ }^{\circ}\text{C}$; unless otherwise specified.
 Typical values refer to $V_{CC} = 3.6\text{ V}$; $V_{CC(I/O)} = 3.3\text{ V}$; $T_{amb} = +25\text{ }^{\circ}\text{C}$; unless otherwise specified.

| Symbol | Parameter | Conditions | Min | Typ | Max | Unit |
|------------------------------|---------------------------|---|---------------------|-----|------------------|---------------|
| Input levels | | | | | | |
| V_{IH} | HIGH-level input voltage | | $0.7V_{CC(I/O)}$ | - | - | V |
| V_{IL} | LOW-level input voltage | | - | - | $0.3V_{CC(I/O)}$ | V |
| I_{LI} | input leakage current | | -1 | - | +1 | μA |
| Output levels | | | | | | |
| V_{OH} | HIGH-level output voltage | $I_{OH} = -8\text{ mA}$ | $V_{CC(I/O)} - 0.4$ | - | - | V |
| V_{OL} | LOW-level output voltage | $I_{OL} = +8\text{ mA}$ | - | - | 0.4 | V |
| I_{OH} | HIGH-level output current | $V_{OH} = V_{CC(I/O)} - 0.4\text{ V}$ | -8 | - | - | mA |
| I_{OL} | LOW-level output current | $V_{OL} = 0.4\text{ V}$ | +8 | - | - | mA |
| Impedance | | | | | | |
| Z_L | load impedance | | 45 | - | 65 | Ω |
| Pull-up and pull-down | | | | | | |
| I_{pu} | pull-up current | interface protect enabled; STP pin only; $V_I = 0\text{ V}$ | -30 | -50 | -80 | μA |
| | | UART mode; DATA0 pin only | -30 | -50 | -80 | μA |
| I_{pd} | pull-down current | interface protect enabled; DATA[7:0] pins only; $V_I = V_{CC(I/O)}$ | 25 | 50 | 95 | μA |
| Capacitance | | | | | | |
| C_{in} | input capacitance | | - | - | 2.9 | pF |

Table 54. Static characteristics: digital input pin FAULT

$V_{CC} = 3.0\text{ V to }4.5\text{ V}$; $V_{CC(I/O)} = 3.0\text{ V to }3.6\text{ V}$; $T_{amb} = -40\text{ }^{\circ}\text{C to }+85\text{ }^{\circ}\text{C}$; unless otherwise specified.

| Symbol | Parameter | Conditions | Min | Typ | Max | Unit |
|----------|--------------------------|-----------------------|-----|-----|-----|---------------|
| V_{IL} | LOW-level input voltage | | - | - | 0.8 | V |
| V_{IH} | HIGH-level input voltage | | 2.0 | - | - | V |
| I_{IL} | LOW-level input current | $V_I = 0\text{ V}$ | -1 | - | - | μA |
| I_{IH} | HIGH-level input current | $V_I = 5.25\text{ V}$ | - | - | 1 | μA |

Table 55. Static characteristics: digital output pin PSW_N

$V_{CC} = 3.0\text{ V to }4.5\text{ V}$; $V_{CC(I/O)} = 3.0\text{ V to }3.6\text{ V}$; $T_{amb} = -40\text{ }^{\circ}\text{C to }+85\text{ }^{\circ}\text{C}$; unless otherwise specified.

| Symbol | Parameter | Conditions | Min | Typ | Max | Unit |
|----------|---------------------------|-------------------------------------|--------------------|-----|------|---------------|
| V_{OH} | HIGH-level output voltage | external pull-up resistor connected | 3.0 ^[1] | - | 5.25 | V |
| V_{OL} | LOW-level output voltage | $I_{OL} = -4\text{ mA}$ | - | - | 0.4 | V |
| I_{OH} | HIGH-level output current | external pull-up resistor connected | - | - | 1 | μA |
| I_{OL} | LOW-level output current | $V_O = 0.4\text{ V}$ | 4.0 | - | - | mA |

[1] When V_{OH} is less than $V_{O(REG3V3)}$, I_{CC} may increase because of the cross current.

Table 56. Static characteristics: analog pins (DP, DM)

$V_{CC} = 3.0\text{ V to }4.5\text{ V}$; $V_{CC(I/O)} = 3.0\text{ V to }3.6\text{ V}$; $T_{amb} = -40\text{ }^{\circ}\text{C to }+85\text{ }^{\circ}\text{C}$; unless otherwise specified.

Typical values refer to $V_{CC} = 3.6\text{ V}$; $V_{CC(I/O)} = 3.3\text{ V}$; $T_{amb} = +25\text{ }^{\circ}\text{C}$; unless otherwise specified.

| Symbol | Parameter | Conditions | Min | Typ | Max | Unit |
|--|---|---|------|------|------|------------|
| Original USB transceiver (full-speed and low-speed) | | | | | | |
| Input levels (differential data receiver) | | | | | | |
| V_{DI} | differential input sensitivity voltage | $ V_{DP} - V_{DM} $ | 0.2 | - | - | V |
| V_{CM} | differential common mode voltage range | includes V_{DI} range | 0.8 | - | 2.5 | V |
| Input levels (single-ended receivers) | | | | | | |
| V_{IL} | LOW-level input voltage | | - | - | 0.8 | V |
| V_{IH} | HIGH-level input voltage | | 2.0 | - | - | V |
| Output levels | | | | | | |
| V_{OL} | LOW-level output voltage | pull-up on DP; $R_L = 1.5\text{ k}\Omega$ to 3.6 V | 0.0 | - | 0.3 | V |
| V_{OH} | HIGH-level output voltage | pull-down on pins DP and DM; $R_L = 15\text{ k}\Omega$ to GND | 2.8 | - | 3.6 | V |
| V_{CRS} | output signal crossover voltage | excluding the first transition from the idle state | 1.3 | - | 2.0 | V |
| Termination | | | | | | |
| V_{TERM} | termination voltage for upstream facing port pull-up | for 1.5 k Ω pull-up resistor | 3.0 | - | 3.6 | V |
| Resistance | | | | | | |
| $R_{UP(DP)}$ | pull-up resistance on pin DP | | 1425 | 1500 | 1575 | Ω |
| $R_{weakUP(DP)}$ | weak pull-up resistance on pin DP | bit DP_WKPU_EN = 1b and $V_{BUS} > V_{A_SESS_VLD}$ | 100 | 125 | 150 | k Ω |
| Hi-Speed USB transceiver (HS) | | | | | | |
| Input levels | | | | | | |
| V_{HSSQ} | high-speed squelch detection threshold voltage (differential signal amplitude) | | 100 | - | 150 | mV |
| V_{HSDSC} | high-speed disconnect detection threshold voltage (differential signal amplitude) | | 525 | - | 625 | mV |
| V_{HSDI} | high-speed differential input sensitivity | $ V_{DP} - V_{DM} $ | 100 | - | - | mV |
| V_{HSCM} | high-speed data signaling common mode voltage range (guideline for receiver) | includes V_{DI} range | -50 | - | +500 | mV |
| Output levels | | | | | | |
| V_{HSOI} | high-speed idle level voltage | | -10 | - | +10 | mV |
| V_{HSOL} | high-speed data signaling LOW-level voltage | | -10 | - | +10 | mV |
| V_{HSOH} | high-speed data signaling HIGH-level voltage | | 360 | - | 440 | mV |
| V_{CHIRPJ} | Chirp J level (differential voltage) | | 700 | - | 1100 | mV |
| V_{CHIRPK} | Chirp K level (differential voltage) | | -900 | - | -500 | mV |

Table 56. Static characteristics: analog pins (DP, DM) ...continued

$V_{CC} = 3.0\text{ V to }4.5\text{ V}$; $V_{CC(I/O)} = 3.0\text{ V to }3.6\text{ V}$; $T_{amb} = -40\text{ }^{\circ}\text{C to }+85\text{ }^{\circ}\text{C}$; unless otherwise specified.

Typical values refer to $V_{CC} = 3.6\text{ V}$; $V_{CC(I/O)} = 3.3\text{ V}$; $T_{amb} = +25\text{ }^{\circ}\text{C}$; unless otherwise specified.

| Symbol | Parameter | Conditions | Min | Typ | Max | Unit |
|------------------------|--|---------------------------------|-------|-----|------|---------------|
| Leakage current | | | | | | |
| I_{LZ} | off-state leakage current | | -1.0 | - | +1.0 | μA |
| Capacitance | | | | | | |
| C_{in} | input capacitance | pin to GND | - | - | 5 | pF |
| Resistance | | | | | | |
| $R_{DN(DP)}$ | pull-down resistance on pin DP | | 14.25 | - | 24.8 | k Ω |
| $R_{DN(DM)}$ | pull-down resistance on pin DM | | 14.25 | - | 24.8 | k Ω |
| Termination | | | | | | |
| $Z_{O(drv)(DP)}$ | driver output impedance on pin DP | steady-state drive | 40.5 | 45 | 49.5 | Ω |
| $Z_{O(drv)(DM)}$ | driver output impedance on pin DM | steady-state drive | 40.5 | 45 | 49.5 | Ω |
| Z_{INP} | input impedance exclusive of pull-up/pull-down (for low-/full-speed) | | 1 | - | - | M Ω |
| UART mode | | | | | | |
| Input levels | | | | | | |
| V_{IL} | LOW-level input voltage | pin DP | - | - | 0.8 | V |
| V_{IH} | HIGH-level input voltage | pin DP | 2.35 | - | - | V |
| Output levels | | | | | | |
| V_{OL} | LOW-level output voltage | pin DM; $I_{OL} = -4\text{ mA}$ | - | - | 0.3 | V |
| V_{OH} | HIGH-level output voltage | pin DM; $I_{OH} = +4\text{ mA}$ | 2.4 | - | - | V |

Table 57. Static characteristics: analog pin V_{BUS}

$V_{CC} = 3.0\text{ V to }4.5\text{ V}$; $V_{CC(I/O)} = 3.0\text{ V to }3.6\text{ V}$; $T_{amb} = -40\text{ }^{\circ}\text{C to }+85\text{ }^{\circ}\text{C}$; unless otherwise specified.

Typical values refer to $V_{CC} = 3.6\text{ V}$; $V_{CC(I/O)} = 3.3\text{ V}$; $T_{amb} = +25\text{ }^{\circ}\text{C}$; unless otherwise specified.

| Symbol | Parameter | Conditions | Min | Typ | Max | Unit |
|-------------------------|---|--|-----|------|------|------------|
| Comparators | | | | | | |
| $V_{A_VBUS_VLD}$ | A-device V_{BUS} valid voltage | | 4.4 | - | 4.75 | V |
| $V_{A_SESS_VLD}$ | A-device session valid voltage | for A-device and B-device | 0.8 | 1.6 | 2.0 | V |
| $V_{hys(A_SESS_VLD)}$ | A-device session valid hysteresis voltage | for A-device and B-device | - | 100 | - | mV |
| $V_{B_SESS_END}$ | B-device session end voltage | | 0.2 | - | 0.8 | V |
| Resistance | | | | | | |
| $R_{UP(VBUS)}$ | pull-up resistance on pin V_{BUS} | connect to REG3V3 when $CHRG_VBUS = 1b$ | 281 | 680 | - | Ω |
| $R_{DN(VBUS)}$ | pull-down resistance on pin V_{BUS} | connect to GND when $DISCHRG_VBUS = 1b$ | 656 | 1200 | - | Ω |
| $R_{I(idle)(VBUS)}$ | idle input resistance on pin V_{BUS} | not in power-down mode | 75 | 90 | 100 | k Ω |
| | | chip deasserted (power-down mode) | 40 | - | 100 | k Ω |
| | | $V_{CC(I/O)}$ lost (power-down mode) | 140 | - | 220 | k Ω |

Table 58. Static characteristics: analog pin CFG0

$V_{CC} = 3.0\text{ V to }4.5\text{ V}$; $V_{CC(I/O)} = 3.0\text{ V to }3.6\text{ V}$; $T_{amb} = -40\text{ }^{\circ}\text{C to }+85\text{ }^{\circ}\text{C}$; unless otherwise specified.

| Symbol | Parameter | Conditions | Min | Typ | Max | Unit |
|---------------------|--------------------------|------------|-----|-----|-----|---------------|
| Input levels | | | | | | |
| V_{IL} | LOW-level input voltage | | - | - | 0.8 | V |
| V_{IH} | HIGH-level input voltage | | 2.0 | - | - | V |
| I_{LI} | input leakage current | | -1 | - | +1 | μA |

Table 59. Static characteristics: ID detection circuit

$V_{CC} = 3.0\text{ V to }4.5\text{ V}$; $V_{CC(I/O)} = 3.0\text{ V to }3.6\text{ V}$; $T_{amb} = -40\text{ }^{\circ}\text{C to }+85\text{ }^{\circ}\text{C}$; unless otherwise specified.

Typical values refer to $V_{CC} = 3.6\text{ V}$; $V_{CC(I/O)} = 3.3\text{ V}$; $T_{amb} = +25\text{ }^{\circ}\text{C}$; unless otherwise specified.

| Symbol | Parameter | Conditions | Min | Typ | Max | Unit |
|------------------|-----------------------------------|--------------------|-----|-----|-----|------------------|
| t_{ID} | ID detection time | | 50 | - | - | ms |
| $V_{th(ID)}$ | ID detector threshold voltage | | 1.0 | - | 2.0 | V |
| $R_{UP(ID)}$ | ID pull-up resistance | bit ID_PULLUP = 1b | 40 | 50 | 60 | $\text{k}\Omega$ |
| $R_{weakPU(ID)}$ | weak pull-up resistance on pin ID | bit ID_PULLUP = 0b | 320 | 400 | 480 | $\text{k}\Omega$ |
| $V_{PU(ID)}$ | pull-up voltage on pin ID | | 3.0 | 3.3 | 3.6 | V |

Table 60. Static characteristics: resistor reference

$V_{CC} = 3.0\text{ V to }4.5\text{ V}$; $V_{CC(I/O)} = 3.0\text{ V to }3.6\text{ V}$; $T_{amb} = -40\text{ }^{\circ}\text{C to }+85\text{ }^{\circ}\text{C}$; unless otherwise specified.

SUSPENDM = HIGH.

Typical values refer to $V_{CC} = 3.6\text{ V}$; $V_{CC(I/O)} = 3.3\text{ V}$; $T_{amb} = +25\text{ }^{\circ}\text{C}$; unless otherwise specified.

| Symbol | Parameter | Conditions | Min | Typ | Max | Unit |
|---------------|----------------------------|------------|-----|------|-----|------|
| $V_{O(RREF)}$ | output voltage on pin RREF | | - | 1.22 | - | V |

Table 61. Static characteristics: regulator

$V_{CC} = 3.0\text{ V to }4.5\text{ V}$; $V_{CC(I/O)} = 3.0\text{ V to }3.6\text{ V}$; $T_{amb} = -40\text{ }^{\circ}\text{C to }+85\text{ }^{\circ}\text{C}$; unless otherwise specified.

SUSPENDM = HIGH.

Typical values refer to $V_{CC} = 3.6\text{ V}$; $V_{CC(I/O)} = 3.3\text{ V}$; $T_{amb} = +25\text{ }^{\circ}\text{C}$; unless otherwise specified.

| Symbol | Parameter | Conditions | Min | Typ | Max | Unit |
|-----------------|--|------------------|------|------|------|------|
| $V_{O(REG1V8)}$ | output voltage from internal 1.8 V regulator | | 1.65 | 1.8 | 1.95 | V |
| $V_{O(REG3V3)}$ | output voltage from internal 3.3 V regulator | not in UART mode | 3.0 | 3.3 | 3.6 | V |
| | | in UART mode | 2.5 | 2.77 | 2.9 | V |

Table 62. Static characteristics: pin CLKIN

$V_{CC} = 3.0\text{ V to }4.5\text{ V}$; $V_{CC(I/O)} = 3.0\text{ V to }3.6\text{ V}$; $T_{amb} = -40\text{ }^{\circ}\text{C to }+85\text{ }^{\circ}\text{C}$; unless otherwise specified.

| Symbol | Parameter | Conditions | Min | Typ | Max | Unit |
|----------|--------------------------|------------|------|-----|------|------|
| V_{IL} | LOW-level input voltage | | - | - | 0.37 | V |
| V_{IH} | HIGH-level input voltage | | 1.32 | - | - | V |

15. Dynamic characteristics

Table 63. Dynamic characteristics: reset and power

$V_{CC} = 3.0\text{ V to }4.5\text{ V}$; $V_{CC(I/O)} = 3.0\text{ V to }3.6\text{ V}$; $T_{amb} = -40\text{ }^{\circ}\text{C to }+85\text{ }^{\circ}\text{C}$; unless otherwise specified.
 Typical values refer to $V_{CC} = 3.6\text{ V}$; $V_{CC(I/O)} = 3.3\text{ V}$; $T_{amb} = +25\text{ }^{\circ}\text{C}$; unless otherwise specified.

| Symbol | Parameter | Conditions | Min | Typ | Max | Unit |
|----------------------|-------------------------------------|--|-----|-----|-----|---------------|
| $t_{W(POR)}$ | internal power-on reset pulse width | | 0.2 | - | - | μs |
| $t_{W(REG1V8_H)}$ | REG1V8 HIGH pulse width | | - | - | 2 | μs |
| $t_{W(REG1V8_L)}$ | REG1V8 LOW pulse width | | - | - | 11 | μs |
| $t_{W(RESET_N)}$ | external RESET_N pulse width | | 200 | - | - | ns |
| $t_{startup(PLL)}$ | PLL start-up time | measured after $t_{d(det)clk(osc)}$ | - | - | 640 | μs |
| $t_{d(det)clk(osc)}$ | oscillator clock detector delay | measured from regulator start-up time | - | - | 640 | μs |
| t_{POR} | power-on reset time | $4.7\text{ }\mu\text{F} \pm 20\%$ capacitor each on pins REG1V8 and REG3V3 | - | - | 1 | ms |
| t_{PWRDN} | regulator power-down time | $4.7\text{ }\mu\text{F} \pm 20\%$ capacitor each on pins REG1V8 and REG3V3 | - | - | 100 | ms |
| t_{REGUP} | regulator start-up time | $4.7\text{ }\mu\text{F} \pm 20\%$ capacitor each on pins REG1V8 and REG3V3 | | | | |
| | | $V_{CC} = 3.6\text{ V}$; $T_{amb} = +25\text{ }^{\circ}\text{C}$ | - | 2 | - | ms |
| | | $V_{CC} = 3.1\text{ V}$; $T_{amb} = -40\text{ }^{\circ}\text{C}$ | - | - | 50 | ms |

Table 64. Dynamic characteristics: clock applied to pin CLKIN

$V_{CC} = 3.0\text{ V to }4.5\text{ V}$; $V_{CC(I/O)} = 3.0\text{ V to }3.6\text{ V}$; $T_{amb} = -40\text{ }^{\circ}\text{C to }+85\text{ }^{\circ}\text{C}$; unless otherwise specified.
 Typical values refer to $V_{CC} = 3.6\text{ V}$; $V_{CC(I/O)} = 3.3\text{ V}$; $CLKIN = 1.8\text{ V}_{(p-p)}$ or $3.3\text{ V}_{(p-p)}$; $T_{amb} = +25\text{ }^{\circ}\text{C}$; unless otherwise specified.

| Symbol | Parameter | Conditions | Min | Typ | Max | Unit |
|--------------------------|--|-----------------------------|-----|--------|-----|------|
| $f_{i(CLKIN)}$ | input frequency on pin CLKIN | see Table 6 | - | 27.000 | - | MHz |
| | | see Table 6 | - | 26.000 | - | MHz |
| | | see Table 6 | - | 24.000 | - | MHz |
| | | see Table 6 | - | 13.000 | - | MHz |
| $t_{jit(i)(CLKIN)(c-c)}$ | peak-to-peak, cycle-to-cycle input jitter on pin CLKIN | | - | - | 200 | ps |
| $\Delta f_i(CLKIN)$ | input frequency tolerance on pin CLKIN | | - | - | 200 | ppm |
| $\delta_i(CLKIN)$ | input duty cycle on pin CLKIN | for the first transaction | [1] | 50 | - | % |
| $t_r(CLKIN)$ | rise time on pin CLKIN | only for square wave input | - | - | 5 | ns |
| $t_f(CLKIN)$ | fall time on pin CLKIN | only for square wave input | - | - | 5 | ns |

[1] The internal PLL is triggered only on the positive edge of the CLKIN input. Therefore, the duty cycle is not critical.

Table 65. Dynamic characteristics: CLOCK output

$V_{CC} = 3.0\text{ V to }4.5\text{ V}$; $V_{CC(I/O)} = 3.0\text{ V to }3.6\text{ V}$; $T_{amb} = -40\text{ }^{\circ}\text{C to }+85\text{ }^{\circ}\text{C}$; unless otherwise specified.
 Typical values refer to $V_{CC} = 3.6\text{ V}$; $V_{CC(I/O)} = 3.3\text{ V}$; $T_{amb} = +25\text{ }^{\circ}\text{C}$; unless otherwise specified.

| Symbol | Parameter | Conditions | Min | Typ | Max | Unit |
|------------------------|---------------------------------------|------------|--------|--------|--------|------|
| $f_{o(AV)(CLOCK)}$ | average output frequency on pin CLOCK | | 59.970 | 60.000 | 60.030 | MHz |
| $t_{jit(o)(CLOCK)RMS}$ | RMS output jitter on pin CLOCK | | - | - | 500 | ps |
| $\delta_{o(CLOCK)}$ | output clock duty cycle on pin CLOCK | | 45 | 50 | 55 | % |

Table 66. Dynamic characteristics: digital I/O pins (SDR)

$V_{CC} = 3.0\text{ V to }4.5\text{ V}$; $V_{CC(I/O)} = 3.0\text{ V to }3.6\text{ V}$; $T_{amb} = -40\text{ }^{\circ}\text{C to }+85\text{ }^{\circ}\text{C}$; unless otherwise specified. See [Figure 29](#).
 Typical values refer to $V_{CC} = 3.6\text{ V}$; $V_{CC(I/O)} = 3.3\text{ V}$; $T_{amb} = +25\text{ }^{\circ}\text{C}$; unless otherwise specified.

| Symbol | Parameter | Conditions | Min | Typ | Max | Unit |
|----------------|--|--|-------|-----|-----|-------|
| $t_{su(STP)}$ | STP set-up time with respect to the rising edge of pin CLOCK | input-only pin (STP) | 6.0 | - | - | ns |
| $t_{su(DATA)}$ | DATA set-up time with respect to the rising edge of pin CLOCK | bidirectional pins (DATA[7:0]) as inputs | 6.0 | - | - | ns |
| $t_h(STP)$ | STP hold time with respect to the rising edge of pin CLOCK | input-only pin (STP) | 0.0 | - | - | ns |
| $t_h(DATA)$ | DATA hold time with respect to the rising edge of pin CLOCK | bidirectional pins (DATA[7:0]) as inputs | 0.0 | - | - | ns |
| $t_{d(DIR)}$ | DIR output delay with respect to the rising edge of pin CLOCK | output-only pin DIR | 2.722 | - | 9.0 | ns |
| $t_{d(NXT)}$ | NXT output delay with respect to the rising edge of pin CLOCK | output-only pin NXT | 2.722 | - | 9.0 | ns |
| $t_{d(DATA)}$ | DATA output delay with respect to the rising edge of pin CLOCK | bidirectional pins as output (DATA[7:0]) | 0.626 | - | 9.0 | ns |
| C_L | load capacitance | pins DATA[7:0], CLOCK, DIR, NXT, STP | [1] | - | - | 20 pF |

[1] Load capacitance on each ULPI pin.

Table 67. Dynamic characteristics: analog I/O pins (DP, DM) in USB mode

$V_{CC} = 3.0\text{ V to }4.5\text{ V}$; $V_{CC(I/O)} = 3.0\text{ V to }3.6\text{ V}$; $T_{amb} = -40\text{ }^{\circ}\text{C to }+85\text{ }^{\circ}\text{C}$; unless otherwise specified.
 Typical values refer to $V_{CC} = 3.6\text{ V}$; $V_{CC(I/O)} = 3.3\text{ V}$; $T_{amb} = +25\text{ }^{\circ}\text{C}$; unless otherwise specified.

| Symbol | Parameter | Conditions | Min | Typ | Max | Unit |
|---|--|--|-----|-----|-------|------|
| High-speed driver characteristics; see Figure 25 | | | | | | |
| t_{HSR} | rise time (10% to 90%) | drive $45\ \Omega$ to GND on DP and DM | 500 | - | - | ps |
| t_{HSF} | fall time (10% to 90%) | drive $45\ \Omega$ to GND on DP and DM | 500 | - | - | ps |
| Full-speed driver characteristics; see Figure 25 | | | | | | |
| t_{FR} | rise time | $C_L = 50\text{ pF}$; 10% to 90% of $ V_{OH} - V_{OL} $ | 4 | - | 20 | ns |
| t_{FF} | fall time | $C_L = 50\text{ pF}$; 10% to 90% of $ V_{OH} - V_{OL} $ | 4 | - | 20 | ns |
| t_{FRFM} | differential rise and fall time matching | t_{FR} / t_{FF} ; excluding the first transition from the idle state | 90 | - | 111.1 | % |

Table 67. Dynamic characteristics: analog I/O pins (DP, DM) in USB mode ...continued

$V_{CC} = 3.0\text{ V to }4.5\text{ V}$; $V_{CC(I/O)} = 3.0\text{ V to }3.6\text{ V}$; $T_{amb} = -40\text{ }^{\circ}\text{C to }+85\text{ }^{\circ}\text{C}$; unless otherwise specified.

Typical values refer to $V_{CC} = 3.6\text{ V}$; $V_{CC(I/O)} = 3.3\text{ V}$; $T_{amb} = +25\text{ }^{\circ}\text{C}$; unless otherwise specified.

| Symbol | Parameter | Conditions | Min | Typ | Max | Unit |
|--|-----------------------------|--|-----|-----|-----|------|
| Low-speed driver characteristics; see Figure 25 | | | | | | |
| t_{LR} | transition time: rise time | $C_L = 200\text{ pF to }600\text{ pF}$; $1.5\text{ k}\Omega$ pull-up on DM enabled; 10% to 90% of $ V_{OH} - V_{OL} $ | 75 | - | 300 | ns |
| t_{LF} | transition time: fall time | $C_L = 200\text{ pF to }600\text{ pF}$; $1.5\text{ k}\Omega$ pull-up on DM enabled; 10% to 90% of $ V_{OH} - V_{OL} $ | 75 | - | 300 | ns |
| t_{LRFM} | rise and fall time matching | t_{LR} / t_{LF} ; excluding the first transition from the idle state | 80 | - | 125 | % |

Table 68. Dynamic characteristics: analog I/O pins (DP, DM) in transparent UART mode

$V_{CC} = 3.0\text{ V to }4.5\text{ V}$; $V_{CC(I/O)} = 3.0\text{ V to }3.6\text{ V}$; $T_{amb} = -40\text{ }^{\circ}\text{C to }+85\text{ }^{\circ}\text{C}$; unless otherwise specified.

| Symbol | Parameter | Conditions | Min | Typ | Max | Unit |
|--|--|--|-----|-----|-----|------|
| Full-speed driver characteristics (DM only) | | | | | | |
| $t_{r(UART)}$ | rise time for UART TXD | $C_L = 185\text{ pF}$; 0.37 V to 2.16 V | 25 | - | 75 | ns |
| $t_{f(UART)}$ | fall time for UART TXD | $C_L = 185\text{ pF}$; 2.16 V to 0.37 V | 25 | - | 75 | ns |
| $t_{PLH(drv)}$ | driver propagation delay (LOW to HIGH) | $C_L = 185\text{ pF}$; DATA0 to DM | - | - | 39 | ns |
| $t_{PHL(drv)}$ | driver propagation delay (HIGH to LOW) | $C_L = 185\text{ pF}$; DATA0 to DM | - | - | 34 | ns |
| Low-speed driver characteristics (DM only) | | | | | | |
| $t_{r(UART)}$ | rise time for UART TXD | $C_L = 185\text{ pF}$; 0.37 V to 2.16 V | 100 | - | 400 | ns |
| $t_{f(UART)}$ | fall time for UART TXD | $C_L = 185\text{ pF}$; 2.16 V to 0.37 V | 100 | - | 400 | ns |
| $t_{PLH(drv)}$ | driver propagation delay (LOW to HIGH) | $C_L = 185\text{ pF}$; DATA0 to DM | - | - | 614 | ns |
| $t_{PHL(drv)}$ | driver propagation delay (HIGH to LOW) | $C_L = 185\text{ pF}$; DATA0 to DM | - | - | 614 | ns |
| Full-speed receiver characteristics (DP only) | | | | | | |
| $t_{PLH(rcv)}$ | receiver propagation delay (LOW to HIGH) | DP to DATA1 | - | - | 7 | ns |
| $t_{PHL(rcv)}$ | receiver propagation delay (HIGH to LOW) | DP to DATA1 | - | - | 7 | ns |
| Low-speed receiver characteristics (DP only) | | | | | | |
| $t_{PLH(rcv)}$ | receiver propagation delay (LOW to HIGH) | DP to DATA1 | - | - | 7 | ns |
| $t_{PHL(rcv)}$ | receiver propagation delay (HIGH to LOW) | DP to DATA1 | - | - | 7 | ns |

Table 69. Dynamic characteristics: analog I/O pins (DP, DM) in serial mode

$V_{CC} = 3.0\text{ V to }4.5\text{ V}$; $V_{CC(I/O)} = 3.0\text{ V to }3.6\text{ V}$; $T_{amb} = -40\text{ }^{\circ}\text{C to }+85\text{ }^{\circ}\text{C}$; unless otherwise specified.

| Symbol | Parameter | Conditions | Min | Typ | Max | Unit |
|---|--|---|-----|-----|-----|------|
| Driver timing (valid only for serial mode) | | | | | | |
| $t_{PLH(drv)}$ | driver propagation delay (LOW to HIGH) | TX_DAT, TX_SE0 to DP, DM; see Figure 26 | - | - | 20 | ns |
| $t_{PHL(drv)}$ | driver propagation delay (HIGH to LOW) | TX_DAT, TX_SE0 to DP, DM; see Figure 26 | - | - | 20 | ns |

Table 69. Dynamic characteristics: analog I/O pins (DP, DM) in serial mode ...continued

$V_{CC} = 3.0\text{ V to }4.5\text{ V}$; $V_{CC(I/O)} = 3.0\text{ V to }3.6\text{ V}$; $T_{amb} = -40\text{ }^{\circ}\text{C to }+85\text{ }^{\circ}\text{C}$; unless otherwise specified.

| Symbol | Parameter | Conditions | Min | Typ | Max | Unit |
|-----------|--------------------------------------|--|-----|-----|-----|------|
| t_{PHZ} | driver disable delay from HIGH level | TX_ENABLE to DP, DM; see Figure 27 | - | - | 12 | ns |
| t_{PLZ} | driver disable delay from LOW level | TX_ENABLE to DP, DM; see Figure 27 | - | - | 12 | ns |
| t_{PZH} | driver enable delay to HIGH level | TX_ENABLE to DP, DM; see Figure 27 | - | - | 20 | ns |
| t_{PZL} | driver enable delay to LOW level | TX_ENABLE to DP, DM; see Figure 27 | - | - | 20 | ns |

Receiver timing (valid only for serial mode)

Differential receiver

| | | | | | | |
|----------------|--|---|---|---|----|----|
| $t_{PLH(rcv)}$ | receiver propagation delay (LOW to HIGH) | DP, DM to RX_RCV, RX_DP, and RX_DM; see Figure 28 | - | - | 20 | ns |
| $t_{PHL(rcv)}$ | receiver propagation delay (HIGH to LOW) | DP, DM to RX_RCV, RX_DP, and RX_DM; see Figure 28 | - | - | 20 | ns |

Single-ended receiver

| | | | | | | |
|---------------|--|---|---|---|----|----|
| $t_{PLH(se)}$ | single-ended propagation delay (LOW to HIGH) | DP, DM to RX_RCV, RX_DP, and RX_DM; see Figure 28 | - | - | 20 | ns |
| $t_{PHL(se)}$ | single-ended propagation delay (HIGH to LOW) | DP, DM to RX_RCV, RX_DP, and RX_DM; see Figure 28 | - | - | 20 | ns |

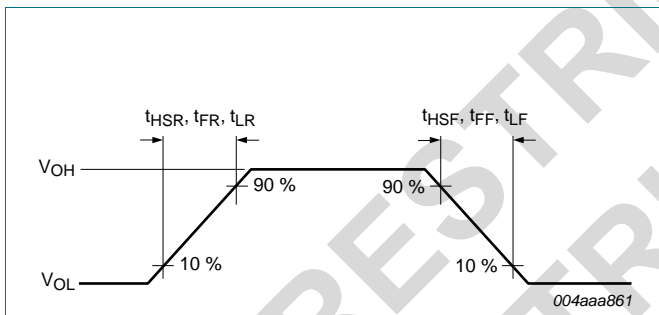


Fig 25. Rise time and fall time

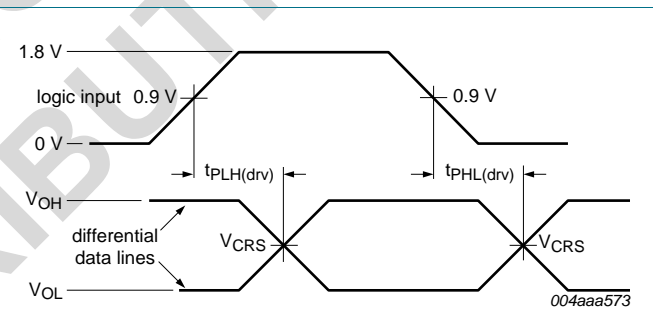


Fig 26. Timing of TX_DAT and TX_SE0 to DP and DM

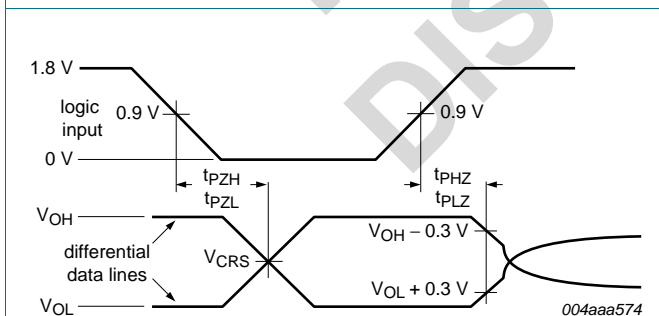


Fig 27. Timing of TX_ENABLE to DP and DM

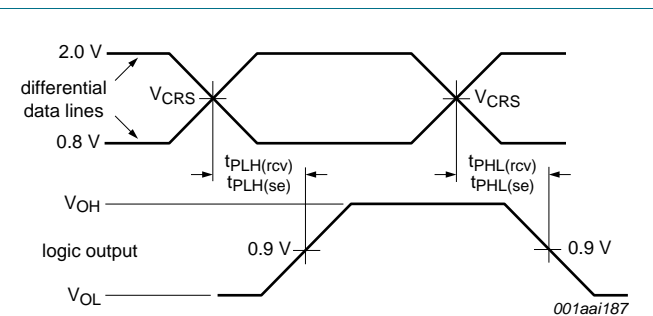


Fig 28. Timing of DP and DM to RX_RCV, RX_DP, and RX_DM

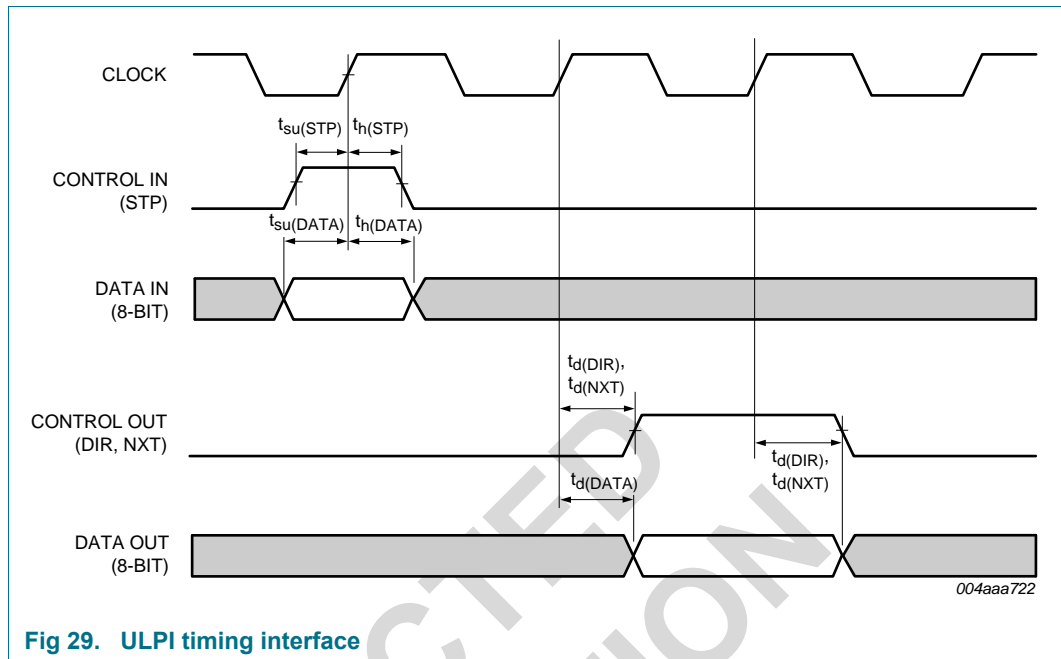
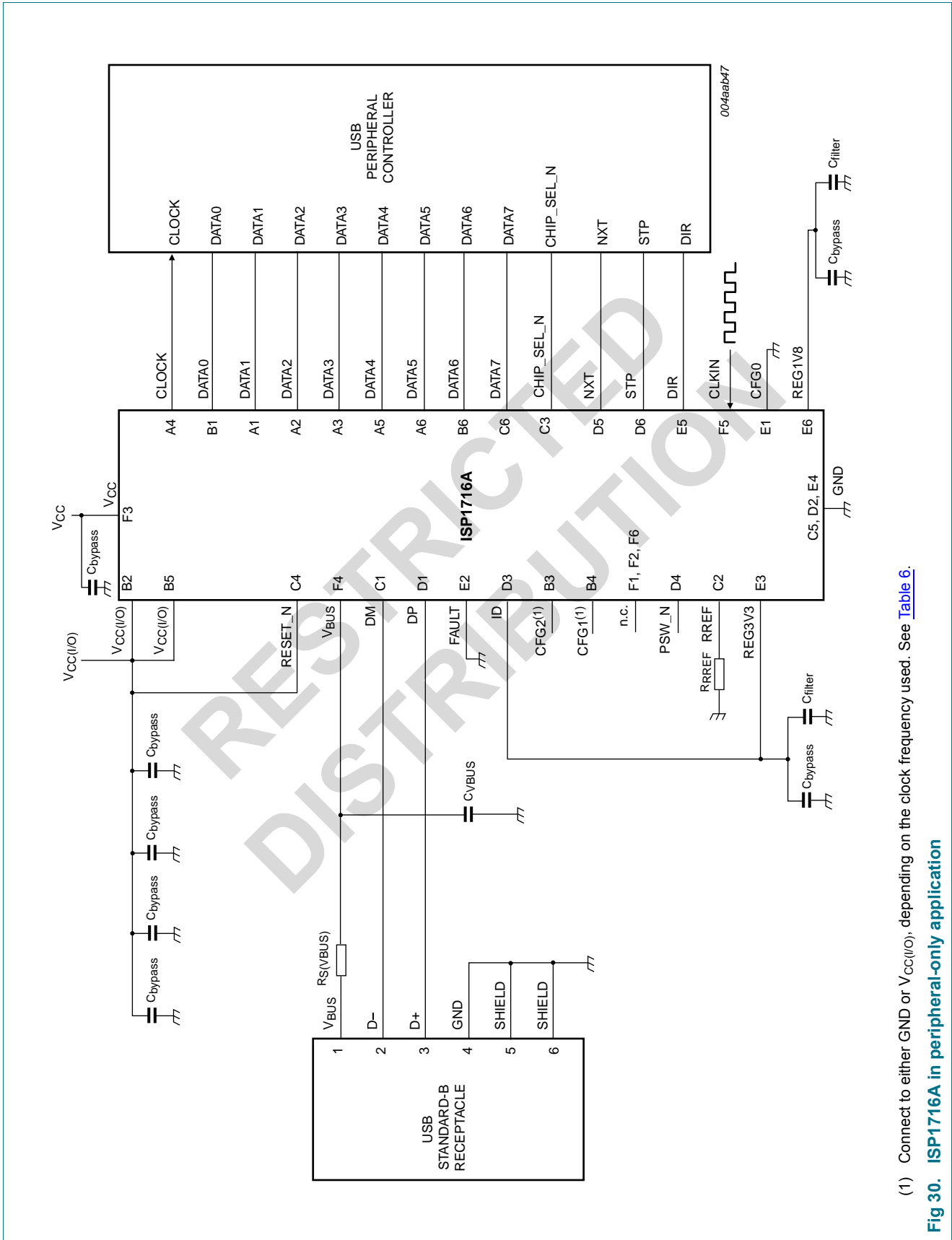


Fig 29. ULPI timing interface

16. Application information

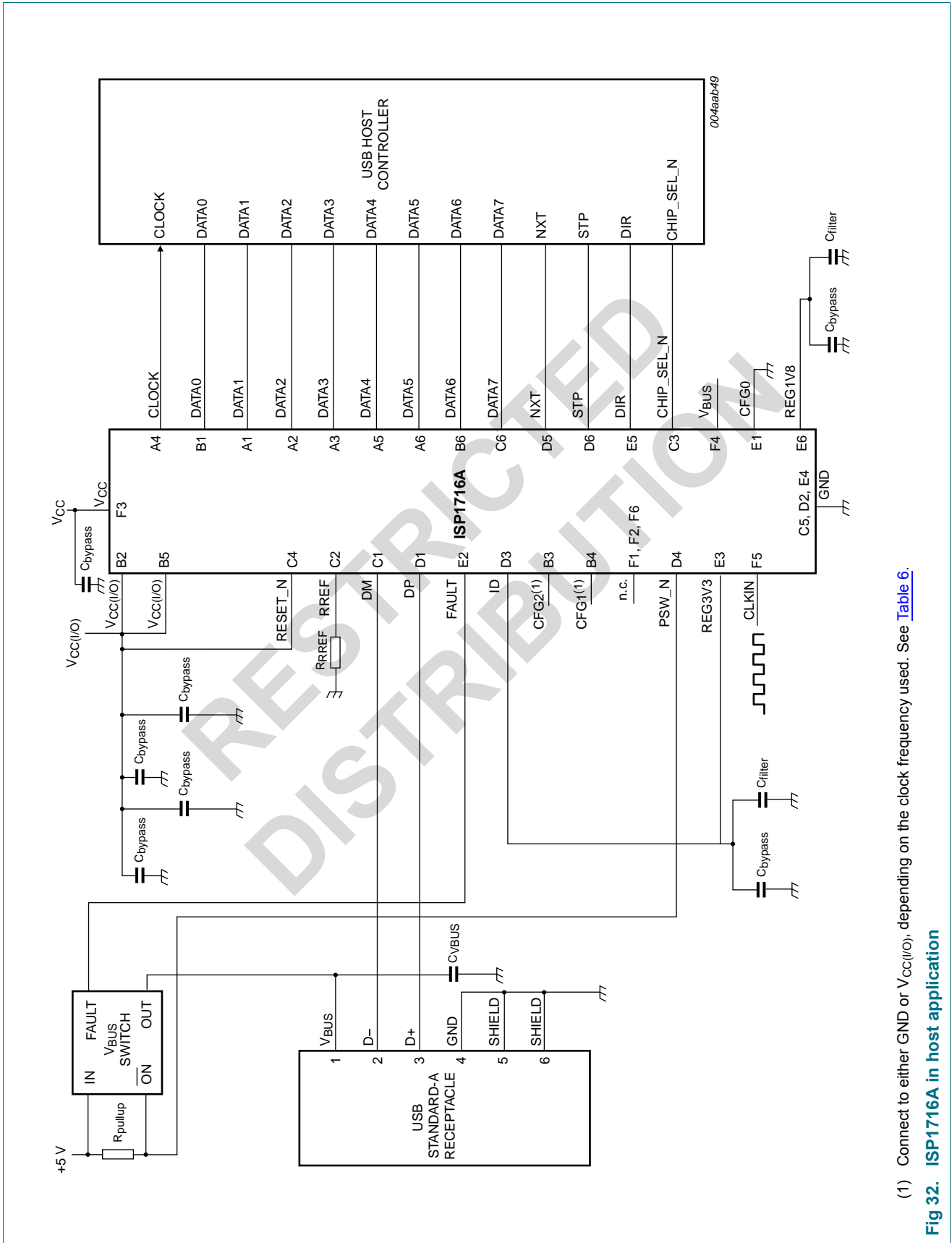
Table 70. Recommended list of materials

| Designator | Application | Part type | Remark |
|---------------|---|--------------------------|---|
| C_{bypass} | highly recommended for all applications | $0.1 \mu F \pm 20\%$ | - |
| C_{filter} | highly recommended for all applications | $4.7 \mu F \pm 20\%$ | use a LOW ESR capacitor (0.2Ω to 2Ω) for best performance |
| C_{VBUS} | mandatory for peripherals | $1 \mu F$ to $10 \mu F$ | use low ESR capacitor |
| | mandatory for host | $120 \mu F$ (min) | use low ESR capacitor |
| | mandatory for OTG | $1 \mu F$ to $6.5 \mu F$ | use low ESR capacitor |
| R_{RREF} | mandatory in all applications | $12 k\Omega \pm 1\%$ | - |
| $R_{S(VBUS)}$ | recommended for peripherals or external 5 V applications | $1 k\Omega \pm 5\%$ | - |
| R_{pullup} | recommended; for applications with an external V_{BUS} supply controlled by PSW_N | $10 k\Omega$ | - |



(1) Connect to either GND or V_{CC(I/O)}, depending on the clock frequency used. See Table 6.

Fig 30. ISP1716A in peripheral-only application



(1) Connect to either GND or V_{CC(I/O)}, depending on the clock frequency used. See [Table 6](#).

Fig 32. ISP1716A in host application

17. Package outline

TFBGA36: plastic thin fine-pitch ball grid array package; 36 balls; body 3.5 x 3.5 x 0.8 mm

SOT912-1

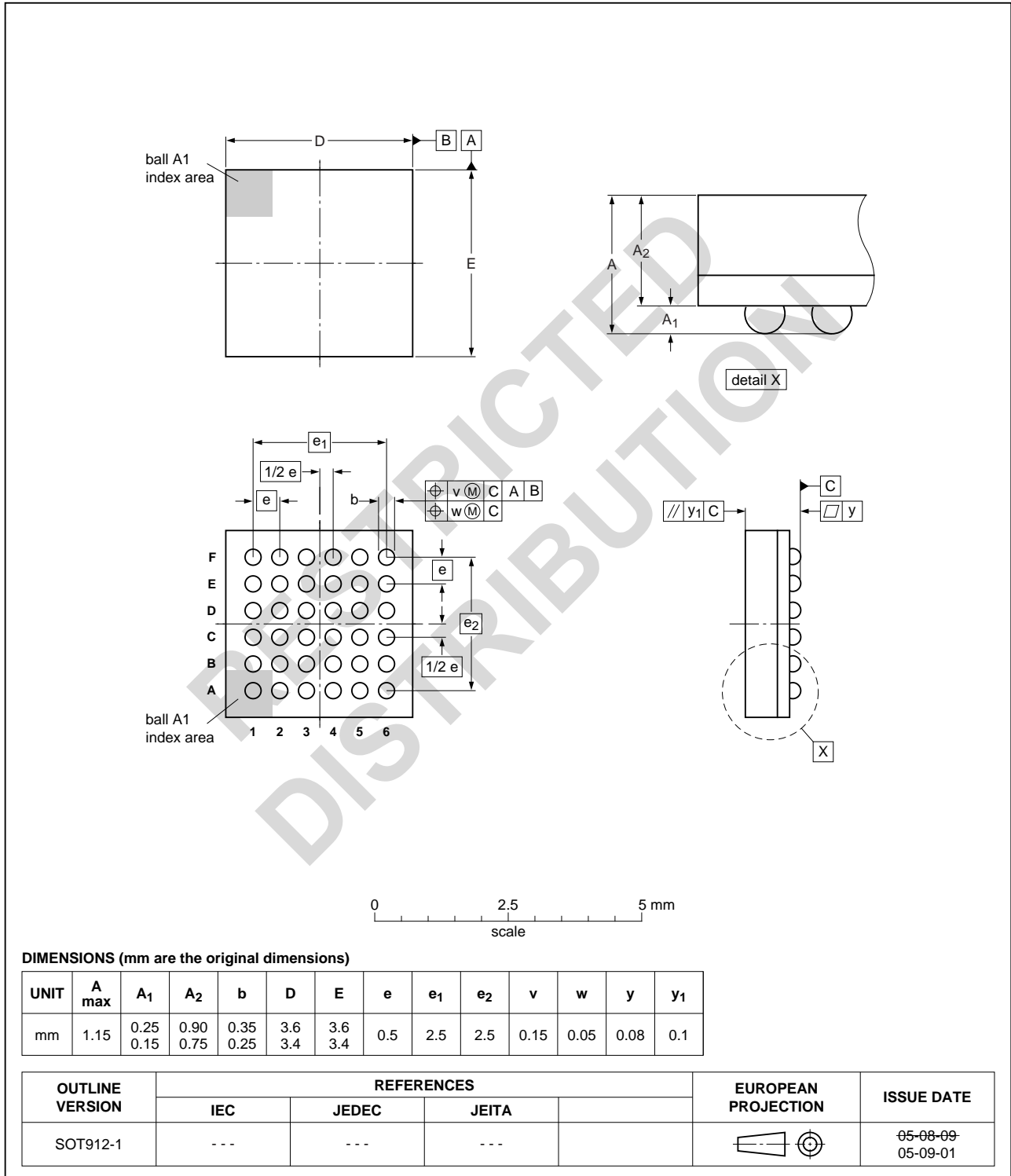


Fig 33. Package outline SOT912-1 (TFBGA36)

18. Abbreviations

Table 71. Abbreviations

| Acronym | Description |
|---------|---|
| ASIC | Application Specific Integrated Circuit |
| ATX | Analog USB Transceiver |
| CDM | Charged Device Model |
| CD-DVD | Compact Disc - Digital Video Disc |
| CD-ROM | Compact Disc - Read-Only Memory |
| CD-RW | Compact Disc - ReWritable |
| EMI | ElectroMagnetic Interference |
| EOP | End-Of-Packet |
| ESD | ElectroStatic Discharge |
| ESR | Effective Series Resistance |
| FPGA | Field Programmable Gate-Array |
| FS | Full-Speed |
| HBM | Human Body Model |
| HNP | Host Negotiation Protocol |
| HS | High-Speed |
| ID | Identification |
| IEC | International Electrotechnical Commission |
| LS | Low-Speed |
| NRZI | Non-Return to Zero Inverted |
| OTG | On-The-Go |
| PDA | Personal Digital Assistant |
| PHY | Physical |
| PID | Packet Identifier |
| PLL | Phase-Locked Loop |
| POR | Power-On Reset |
| RoHS | Restriction of Hazardous Substances |
| RXCMD | Receive Command |
| RXD | Receive Data |
| SDR | Single Data Rate |
| SE0 | Single-Ended Zero |
| SOC | System-On-Chip |
| SOF | Start-Of-Frame |
| SRP | Session Request Protocol |
| SYNC | Synchronous |
| TTL | Transistor-Transistor Logic |
| TXCMD | Transmit Command |
| TXD | Transmit Data |
| UART | Universal Asynchronous Receiver-Transmitter |
| ULPI | UTMI+ Low Pin Interface |

Table 71. Abbreviations ...continued

| Acronym | Description |
|---------|--|
| USB | Universal Serial Bus |
| USB-IF | USB Implementers Forum |
| UTMI | USB Transceiver Macrocell Interface |
| UTMI+ | USB Transceiver Macrocell Interface Plus |

19. Glossary

A-device — An OTG device with an attached micro-A plug.

B-device — An OTG device with an attached micro-B plug.

Link — ASIC, SOC, or FPGA that contains the USB host or peripheral core.

PHY — Physical layer containing the USB transceiver.

20. References

- [1] Universal Serial Bus Specification Rev. 2.0
- [2] On-The-Go Supplement to the USB 2.0 Specification Rev. 1.3
- [3] UTMI+ Low Pin Interface (ULPI) Specification Rev. 1.1
- [4] UTMI+ Specification Rev. 1.0
- [5] USB 2.0 Transceiver Macrocell Interface (UTMI) Specification Ver. 1.05
- [6] Electrostatic Discharge (ESD) Sensitivity Testing Human Body Model (HBM) (JESD22-A114F)
- [7] Field-Induced Charged-Device Model Test Method for Electrostatic-Discharge-Withstand Thresholds of Microelectronic Components (JESD22-C101-D)
- [8] Electromagnetic compatibility (EMC) - Part 4-2: Testing and measurement techniques - Electrostatic discharge immunity test (IEC 61000-4-2)

21. Revision history

Table 72. Revision history

| Revision | Release date | Data sheet status | Change notice |
|----------------|--|--------------------|---------------|
| 02 | 20100721 | Product data sheet | - |
| Modifications: | <ul style="list-style-type: none"> • Table 3 "Pin description": updated description for pin CLKIN. • Table 64 "Dynamic characteristics: clock applied to pin CLKIN": updated the typical values detail to add CLKIN. | | |
| 01 | 20100608 | Product data sheet | - |

RESTRICTED
DISTRIBUTION

22. Tables

| | | | |
|--|----|---|----|
| Table 1. Ordering information | 3 | R = 0Ah to 0Ch, W = 0Ah, S = 0Bh, C = 0Ch) bit allocation | 56 |
| Table 2. Marking codes | 3 | Table 33. OTG_CTRL - OTG control register (address R = 0Ah to 0Ch, W = 0Ah, S = 0Bh, C = 0Ch) bit description | 57 |
| Table 3. Pin description | 5 | Table 34. USB_INTR_EN_R - USB interrupt enable rising register (address R = 0Dh to 0Fh, W = 0Dh, S = 0Eh, C = 0Fh) bit allocation | 58 |
| Table 4. Recommended V _{BUS} capacitor value | 17 | Table 35. USB_INTR_EN_R - USB interrupt enable rising register (address R = 0Dh to 0Fh, W = 0Dh, S = 0Eh, C = 0Fh) bit description | 58 |
| Table 5. OTG_CTRL register power control bits | 18 | Table 36. USB_INTR_EN_F - USB interrupt enable falling register (address R = 10h to 12h, W = 10h, S = 11h, C = 12h) bit allocation | 58 |
| Table 6. Allowed clock frequency on the CLKIN pin | 18 | Table 37. USB_INTR_EN_F - USB interrupt enable falling register (address R = 10h to 12h, W = 10h, S = 11h, C = 12h) bit description | 59 |
| Table 7. Pin states in power-down mode | 21 | Table 38. USB_INTR_STAT - USB interrupt status register (address R = 13h) bit allocation | 59 |
| Table 8. ULPI signal description | 22 | Table 39. USB_INTR_STAT - USB interrupt status register (address R = 13h) bit description | 59 |
| Table 9. Signal mapping during low-power mode | 23 | Table 40. USB_INTR_L - USB interrupt latch register (address R = 14h) bit allocation | 60 |
| Table 10. Signal mapping for 6-pin serial mode | 24 | Table 41. USB_INTR_L - USB interrupt latch register (address R = 14h) bit description | 60 |
| Table 11. Signal mapping for 3-pin serial mode | 25 | Table 42. DEBUG - Debug register (address R = 15h) bit allocation | 60 |
| Table 12. UART signal mapping | 25 | Table 43. DEBUG - Debug register (address R = 15h) bit description | 60 |
| Table 13. Operating states and their corresponding resistor settings | 28 | Table 44. SCRATCH - Scratch register (address R = 16h to 18h, W = 16h, S = 17h, C = 18h) bit description | 61 |
| Table 14. TXCMD byte format | 30 | Table 45. CARKIT_CTRL - Carkit control register (address R = 19h to 1Bh, W = 19h, S = 1Ah, C = 1Bh) bit allocation | 61 |
| Table 15. RXCMD byte format | 31 | Table 46. CARKIT_CTRL - Carkit control register (address R = 19h to 1Bh, W = 19h, S = 1Ah, C = 1Bh) bit description | 61 |
| Table 16. LINSTATE[1:0] encoding for upstream facing ports: peripheral | 32 | Table 47. PWR_CTRL - Power control register (address R = 3Dh to 3Fh, W = 3Dh, S = 3Eh, C = 3Fh) bit allocation | 62 |
| Table 17. LINSTATE[1:0] encoding for downstream facing ports: host | 32 | Table 48. PWR_CTRL - Power control register (address R = 3Dh to 3Fh, W = 3Dh, S = 3Eh, C = 3Fh) bit description | 62 |
| Table 18. Encoded V _{BUS} voltage state | 32 | Table 49. Limiting values | 63 |
| Table 19. V _{BUS} indicators in RXCMD required for typical applications | 33 | Table 50. Recommended operating conditions | 64 |
| Table 20. Encoded USB event signals | 34 | Table 51. Static characteristics: supply pins | 65 |
| Table 21. PHY pipeline delays | 38 | Table 52. Static characteristics: full-speed serial | 65 |
| Table 22. Link decision times | 39 | | |
| Table 23. Register map | 52 | | |
| Table 24. VENDOR_ID_LOW - Vendor ID low register (address R = 00h) bit description | 52 | | |
| Table 25. VENDOR_ID_HIGH - Vendor ID high register (address R = 01h) bit description | 52 | | |
| Table 26. PRODUCT_ID_LOW - Product ID low register (address R = 02h) bit description | 53 | | |
| Table 27. PRODUCT_ID_HIGH - Product ID high register (address R = 03h) bit description | 53 | | |
| Table 28. FUNC_CTRL - Function control register (address R = 04h to 06h, W = 04h, S = 05h, C = 06h) bit allocation | 53 | | |
| Table 29. FUNC_CTRL - Function control register (address R = 04h to 06h, W = 04h, S = 05h, C = 06h) bit description | 53 | | |
| Table 30. INTF_CTRL - Interface control register (address R = 07h to 09h, W = 07h, S = 08h, C = 09h) bit allocation | 54 | | |
| Table 31. INTF_CTRL - Interface control register (address R = 07h to 09h, W = 07h, S = 08h, C = 09h) bit description | 55 | | |
| Table 32. OTG_CTRL - OTG control register (address | | | |

continued >>

| | |
|---|-----|
| Table 53. Static characteristics: digital pins | .66 |
| Table 54. Static characteristics: digital input pin FAULT | .66 |
| Table 55. Static characteristics: digital output pin PSW_N | .66 |
| Table 56. Static characteristics: analog pins (DP, DM) | .67 |
| Table 57. Static characteristics: analog pin V_{BUS} | .68 |
| Table 58. Static characteristics: analog pin CFG0 | .69 |
| Table 59. Static characteristics: ID detection circuit | .69 |
| Table 60. Static characteristics: resistor reference | .69 |
| Table 61. Static characteristics: regulator | .69 |
| Table 62. Static characteristics: pin CLKIN | .69 |
| Table 63. Dynamic characteristics: reset and power | .70 |
| Table 64. Dynamic characteristics: clock applied to pin CLKIN | .70 |
| Table 65. Dynamic characteristics: CLOCK output | .71 |
| Table 66. Dynamic characteristics: digital I/O pins (SDR) | .71 |
| Table 67. Dynamic characteristics: analog I/O pins (DP, DM) in USB mode | .71 |
| Table 68. Dynamic characteristics: analog I/O pins (DP, DM) in transparent UART mode | .72 |
| Table 69. Dynamic characteristics: analog I/O pins (DP, DM) in serial mode | .72 |
| Table 70. Recommended list of materials | .74 |
| Table 71. Abbreviations | .79 |
| Table 72. Revision history | .81 |

RESTRICTED
DISTRIBUTION

23. Figures

| | | |
|---------|---|----|
| Fig 1. | Block diagram | 4 |
| Fig 2. | Pin configuration TFBGA36 | 5 |
| Fig 3. | Digital overcurrent detection scheme | 11 |
| Fig 4. | Internal power-on reset timing | 12 |
| Fig 5. | Power-up and reset sequence required before the ULPI bus is ready for use | 13 |
| Fig 6. | Interface behavior with respect to RESET_N during normal mode | 14 |
| Fig 7. | Interface behavior with respect to chip select | 15 |
| Fig 8. | V _{BUS} pin internal pull-up and pull-down scheme | 18 |
| Fig 9. | Interface behavior when entering UART mode | 27 |
| Fig 10. | Interface behavior when exiting UART mode | 27 |
| Fig 11. | Single and back-to-back RXCMDs from the ISP1716A to the link | 31 |
| Fig 12. | RXCMD A_VBUS_VLD indicator source | 33 |
| Fig 13. | Example of register write, register read, extended register write, and extended register read | 35 |
| Fig 14. | USB reset and high-speed detection handshake (chirp) sequence | 37 |
| Fig 15. | Example of using the ISP1716A to transmit and receive USB data | 38 |
| Fig 16. | High-speed transmit-to-transmit packet timing | 40 |
| Fig 17. | High-speed receive-to-transmit packet timing | 40 |
| Fig 18. | Preamble sequence | 41 |
| Fig 19. | Full-speed suspend and resume | 43 |
| Fig 20. | High-speed suspend and resume | 45 |
| Fig 21. | Remote wake-up from low-power mode | 47 |
| Fig 22. | Transmitting USB packets without automatic SYNC and EOP generation | 48 |
| Fig 23. | Example of transmit followed by receive in 6-pin serial mode | 50 |
| Fig 24. | Example of transmit followed by receive in 3-pin serial mode | 50 |
| Fig 25. | Rise time and fall time | 73 |
| Fig 26. | Timing of TX_DAT and TX_SE0 to DP and DM | 73 |
| Fig 27. | Timing of TX_ENABLE to DP and DM | 73 |
| Fig 28. | Timing of DP and DM to RX_RCV, RX_DP, and RX_DM | 73 |
| Fig 29. | ULPI timing interface | 74 |
| Fig 30. | ISP1716A in peripheral-only application | 75 |
| Fig 31. | ISP1716A in OTG application | 76 |
| Fig 32. | ISP1716A in host application | 77 |
| Fig 33. | Package outline SOT912-1 (TFBGA36) | 78 |

24. Contents

| | | | | | |
|----------|---|----------|-----------|---|-----------|
| 1 | General description | 1 | 8.12.16 | NXT | 19 |
| 2 | Features | 1 | 8.12.17 | CLOCK | 19 |
| 3 | Applications | 3 | 8.12.18 | CFG1, CFG2 | 19 |
| 4 | Ordering information | 3 | 8.12.19 | CHIP_SEL_N | 19 |
| 5 | Marking | 3 | 8.12.20 | GND | 20 |
| 6 | Block diagram | 4 | 9 | Modes of operation | 21 |
| 7 | Pinning information | 5 | 9.1 | Power modes | 21 |
| 7.1 | Pinning | 5 | 9.1.1 | Normal mode | 21 |
| 7.2 | Pin description | 5 | 9.1.2 | Power-down mode | 21 |
| 8 | Functional description | 8 | 9.2 | ULPI modes | 22 |
| 8.1 | ULPI interface controller | 8 | 9.2.1 | Synchronous mode | 22 |
| 8.2 | USB serializer and deserializer | 8 | 9.2.2 | Low-power mode | 23 |
| 8.3 | Hi-Speed USB (USB 2.0) ATX | 8 | 9.2.3 | 6-pin full-speed or low-speed serial mode | 24 |
| 8.4 | Voltage regulator | 9 | 9.2.4 | 3-pin full-speed or low-speed serial mode | 24 |
| 8.5 | PLL | 9 | 9.2.5 | Transparent UART mode | 25 |
| 8.6 | UART buffer | 9 | 9.3 | USB state transitions | 28 |
| 8.7 | OTG module | 10 | 10 | Protocol description | 30 |
| 8.7.1 | ID detector | 10 | 10.1 | ULPI references | 30 |
| 8.7.2 | V _{BUS} comparators | 10 | 10.2 | TXCMD | 30 |
| 8.7.2.1 | V _{BUS} valid comparator | 10 | 10.3 | RXCMD | 30 |
| 8.7.2.2 | Session valid comparator | 10 | 10.3.1 | Linestate encoding | 31 |
| 8.7.2.3 | Session end comparator | 10 | 10.3.2 | V _{BUS} state encoding | 32 |
| 8.7.3 | SRP charge and discharge resistors | 11 | 10.3.3 | Using and selecting the V _{BUS} state encoding | 33 |
| 8.8 | Port power control | 11 | 10.3.3.1 | Standard USB host controllers | 33 |
| 8.9 | Band gap reference voltage | 11 | 10.3.3.2 | Standard USB peripheral controllers | 34 |
| 8.10 | Power-On Reset (POR) | 11 | 10.3.3.3 | OTG devices | 34 |
| 8.11 | Power-up, reset, and bus idle sequence | 12 | 10.3.4 | RxEvent encoding | 34 |
| 8.11.1 | Interface protection | 14 | 10.3.4.1 | RxActive | 34 |
| 8.11.2 | Interface behavior with respect to RESET_N during normal mode | 14 | 10.3.4.2 | RxError | 35 |
| 8.11.3 | Interface behavior with respect to chip select | 15 | 10.3.4.3 | HostDisconnect | 35 |
| 8.12 | Detailed description of pins | 15 | 10.4 | Register read and write operations | 35 |
| 8.12.1 | DATA[7:0] | 15 | 10.5 | USB reset and high-speed detection handshake (chirp) | 35 |
| 8.12.2 | V _{CC(I/O)} | 15 | 10.6 | USB packet transmit and receive | 38 |
| 8.12.3 | RREF | 16 | 10.6.1 | USB packet timing | 38 |
| 8.12.4 | DP and DM | 16 | 10.6.1.1 | ISP1716A pipeline delays | 38 |
| 8.12.5 | CFG0 | 16 | 10.6.1.2 | Allowed link decision time | 39 |
| 8.12.6 | V _{CC} | 16 | 10.7 | Preamble | 40 |
| 8.12.7 | ID | 16 | 10.8 | USB suspend and resume | 41 |
| 8.12.8 | FAULT | 16 | 10.8.1 | Full-speed or low-speed host-initiated suspend and resume | 41 |
| 8.12.9 | REG3V3 and REG1V8 | 17 | 10.8.2 | High-speed suspend and resume | 43 |
| 8.12.10 | V _{BUS} | 17 | 10.8.3 | Remote wake-up | 46 |
| 8.12.11 | PSW_N | 18 | 10.9 | No automatic SYNC and EOP generation (optional) | 47 |
| 8.12.12 | CLKIN | 18 | 10.10 | On-The-Go operations | 48 |
| 8.12.13 | DIR | 19 | 10.10.1 | OTG comparators | 49 |
| 8.12.14 | RESET_N | 19 | | | |
| 8.12.15 | STP | 19 | | | |

continued >>

| | | |
|-----------|---|-----------|
| 10.10.2 | Pull-up and pull-down resistors | 49 |
| 10.10.3 | ID detection | 49 |
| 10.10.4 | V _{BUS} charge and discharge resistors | 49 |
| 10.11 | Serial modes | 49 |
| 10.12 | Aborting transfers | 51 |
| 10.13 | Avoiding contention on the ULPI data bus | 51 |
| 11 | Register map | 52 |
| 11.1 | VENDOR_ID_LOW register | 52 |
| 11.2 | VENDOR_ID_HIGH register | 52 |
| 11.3 | PRODUCT_ID_LOW register | 53 |
| 11.4 | PRODUCT_ID_HIGH register | 53 |
| 11.5 | FUNC_CTRL register | 53 |
| 11.6 | INTF_CTRL register | 54 |
| 11.7 | OTG_CTRL register | 56 |
| 11.8 | USB_INTR_EN_R register | 58 |
| 11.9 | USB_INTR_EN_F register | 58 |
| 11.10 | USB_INTR_STAT register | 59 |
| 11.11 | USB_INTR_L register | 59 |
| 11.12 | DEBUG register | 60 |
| 11.13 | SCRATCH register | 61 |
| 11.14 | CARKIT_CTRL register | 61 |
| 11.15 | PWR_CTRL register | 62 |
| 12 | Limiting values | 63 |
| 13 | Recommended operating conditions | 64 |
| 14 | Static characteristics | 65 |
| 15 | Dynamic characteristics | 70 |
| 16 | Application information | 74 |
| 17 | Package outline | 78 |
| 18 | Abbreviations | 79 |
| 19 | Glossary | 80 |
| 20 | References | 80 |
| 21 | Revision history | 81 |
| 22 | Tables | 82 |
| 23 | Figures | 84 |
| 24 | Contents | 85 |

RESTRICTED DISTRIBUTION

CONFIDENTIALITY OBLIGATIONS:

This document contains sensitive information.

Its distribution is subject to the signature of a Non-Disclosure Agreement (NDA).

It is classified "**RESTRICTED DISTRIBUTION**".

At all times you should comply with the following security rules

(Refer to NDA for detailed obligations):

Do not copy or reproduce all or part of this document

Keep this document locked away

Further copies can be provided on a "need to know basis", please contact your local ST-ERICSSON sales office.

Please Read Carefully:

The contents of this document are subject to change without prior notice. ST-Ericsson makes no representation or warranty of any nature whatsoever (neither expressed nor implied) with respect to the matters addressed in this document, including but not limited to warranties of merchantability or fitness for a particular purpose, interpretability or interoperability or, against infringement of third party intellectual property rights, and in no event shall ST-Ericsson be liable to any party for any direct, indirect, incidental and or consequential damages and or loss whatsoever (including but not limited to monetary losses or loss of data), that might arise from the use of this document or the information in it.

ST-Ericsson and the ST-Ericsson logo are trademarks of the ST-Ericsson group of companies or used under a license from STMicroelectronics NV or Telefonaktiebolaget LM Ericsson.

All other names are the property of their respective owners.

© ST-Ericsson, 2010 - All rights reserved

Contact information at www.stericsson.com under Contacts

www.stericsson.com