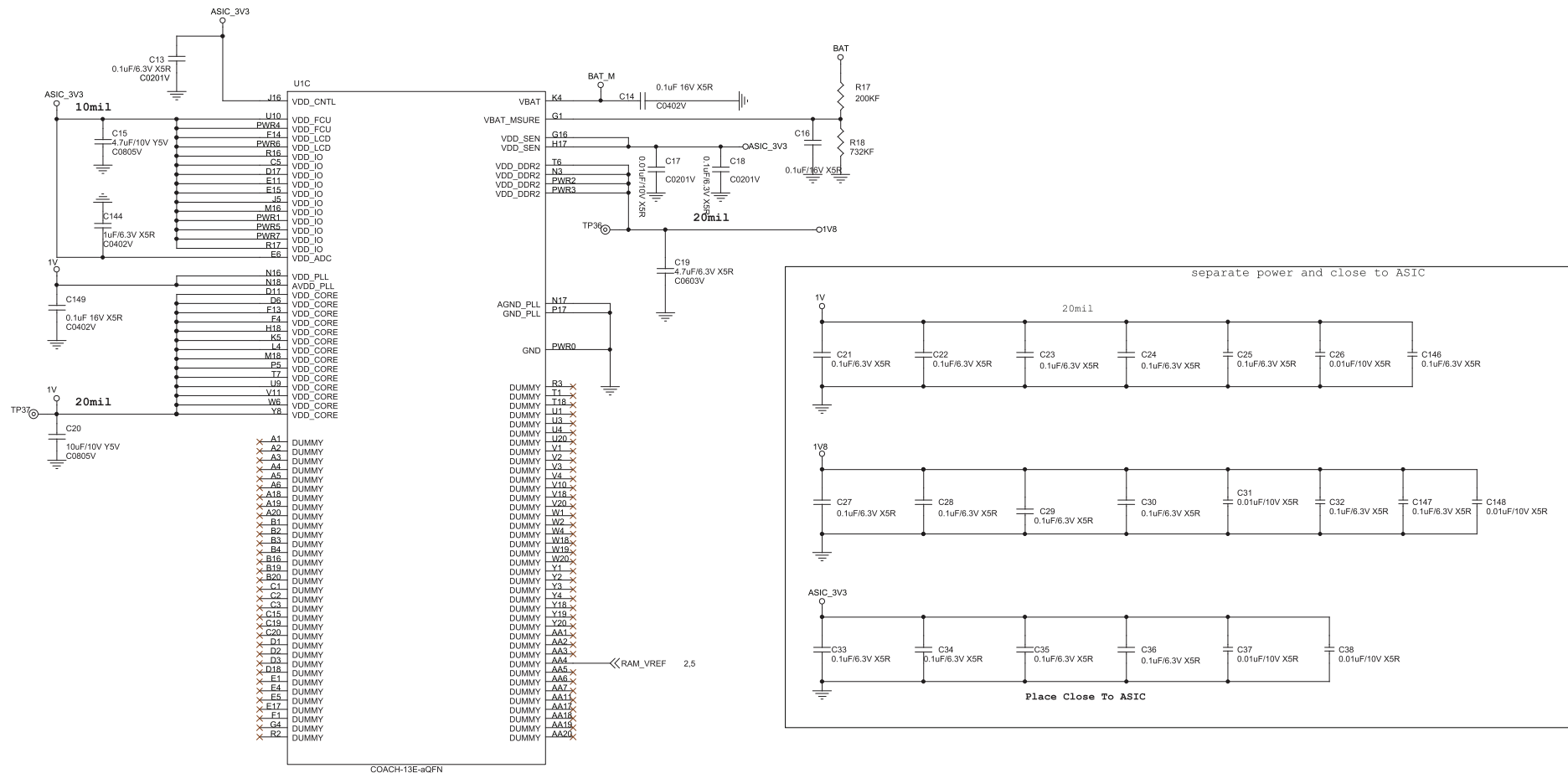
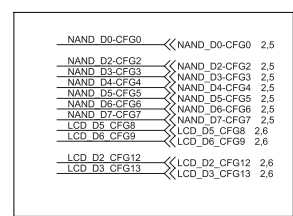
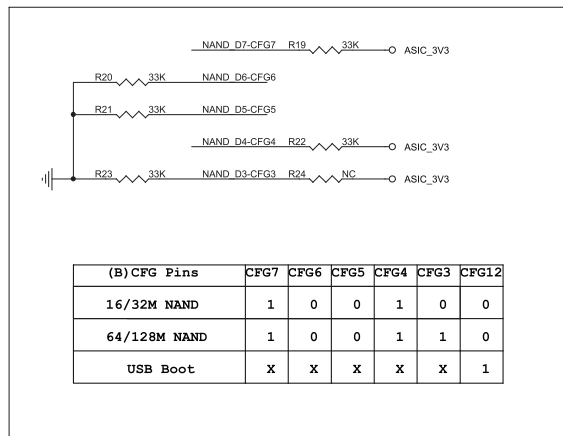


7.2. MAIN PCB-2

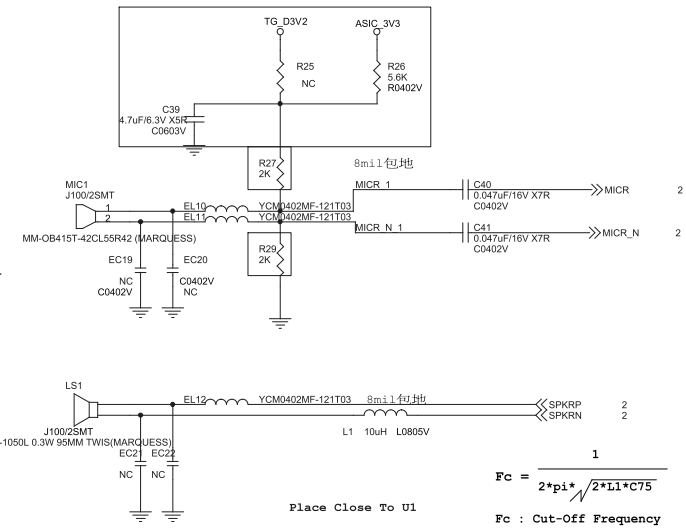
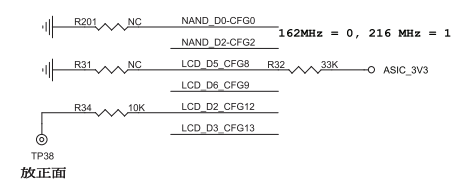
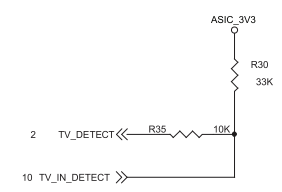


7.3. MAIN PCB-3



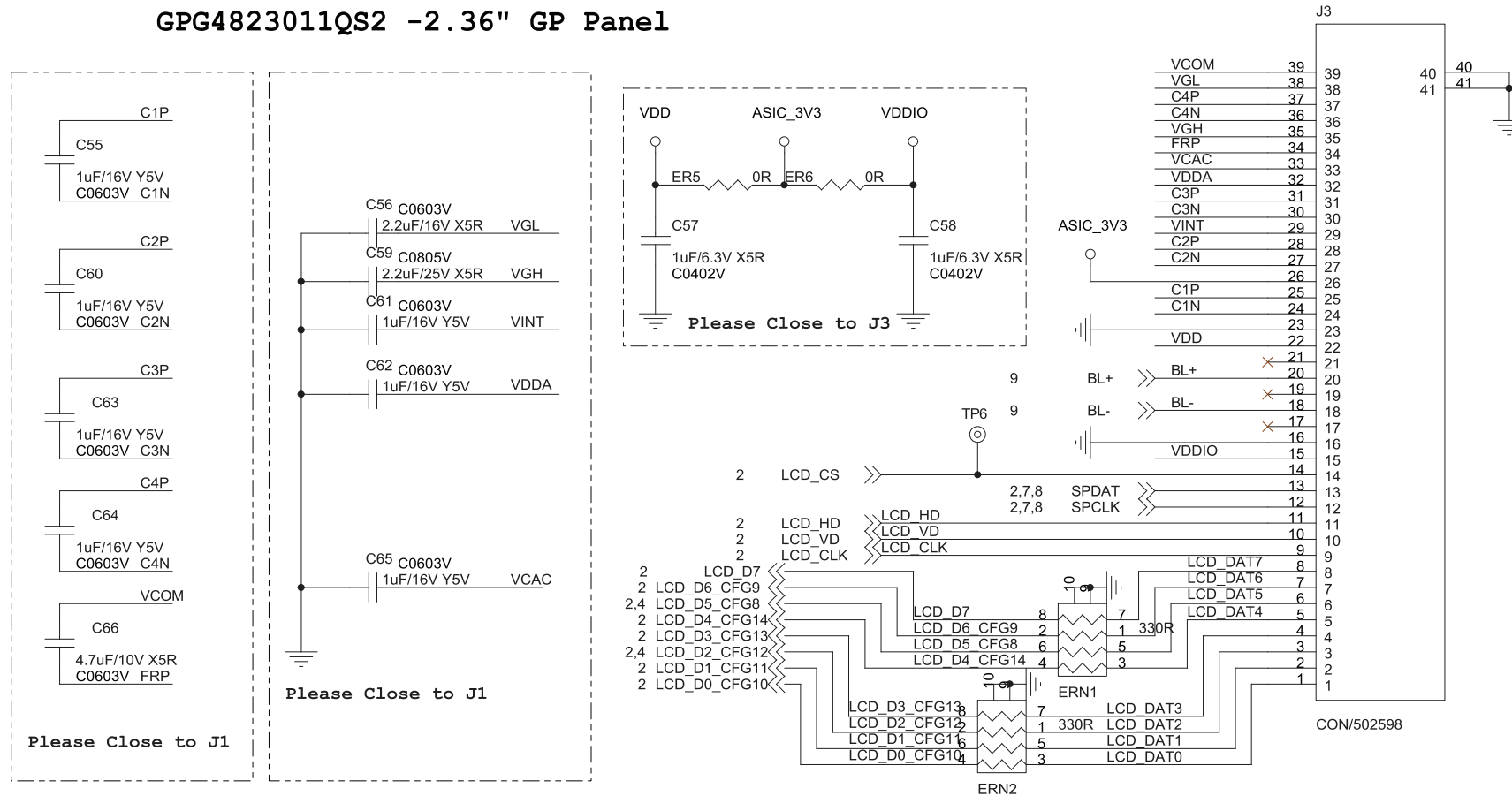
CONFIGURE STATUS		
	TV_DETECT	VUSB
USB DOWNLOAD	L	H
NAND BOOT	H	H/L
AV MODE	L	L

	Default Setting ●		Init State
	L	H	
CFG0 (PLL Multiplication factor)	162Mhz	● 216Mhz	I, PU
CFG1 (Reserved)			I, PD
CFG2 (Boot Speed)	Fast	● Slow	I, PU
CFG8 (Automatic USB Fail-over)	● Resident	USB Boot	I
CFG9 (NAND ECC)	Disabled	● Enabled	I, PU
CFG10 (Clock Bypass)			I, PD
CFG11 (Visible Bus Mode)			I, PD
CFG12 (Force USB boot)	● Disabled	Enabled	I, PD
CFG13 (Force SD boot)	● Disabled	Enabled	I, PD
CFG14 (Reserved)			I, PD

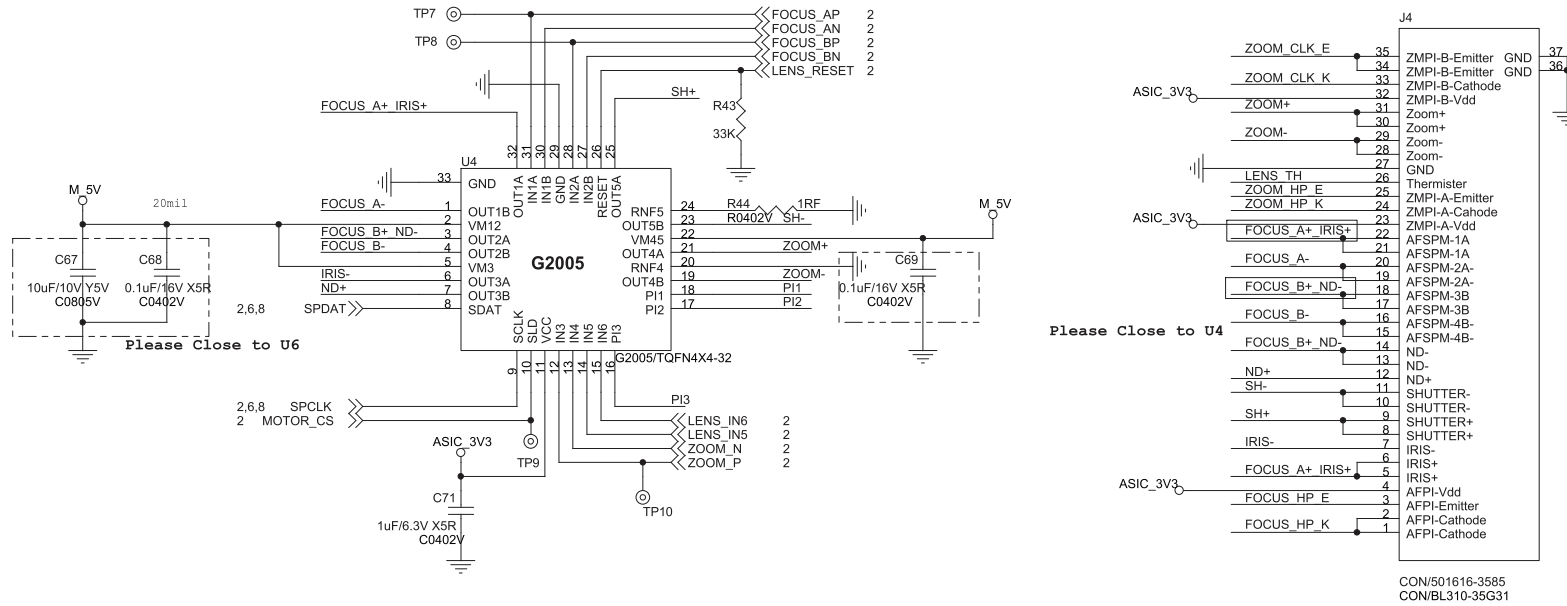


7.5. MAIN PCB-5

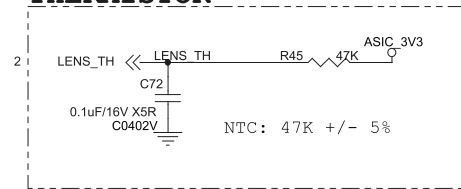
GPG4823011QS2 -2.36" GP Panel



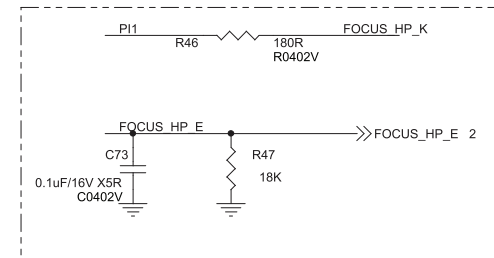
7.6. MAIN PCB-6



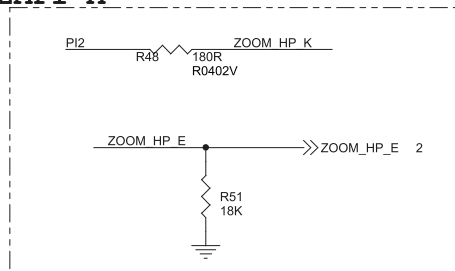
THERMISTOR



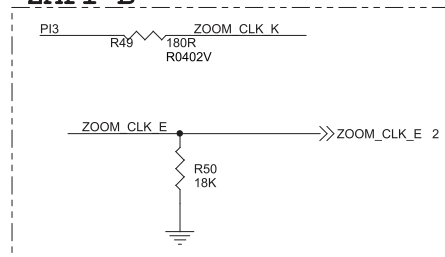
AFPI



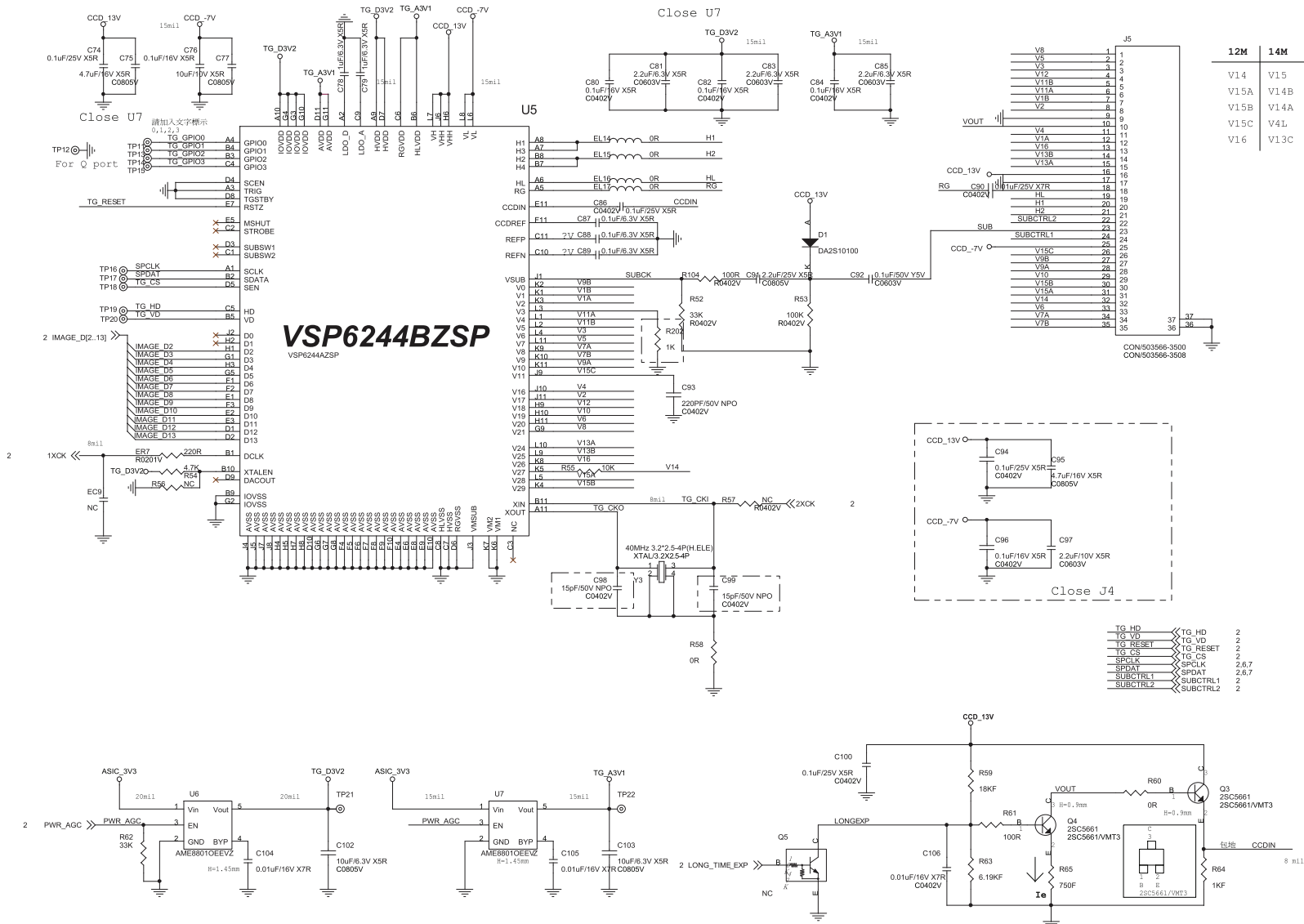
ZMPI-A



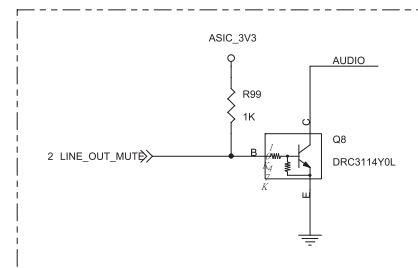
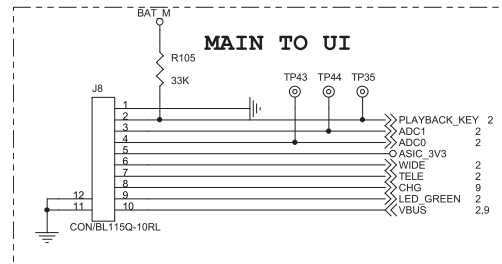
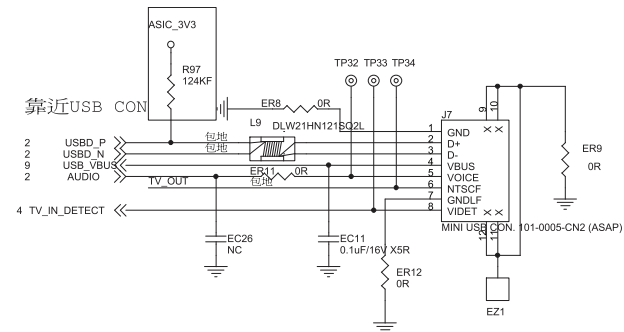
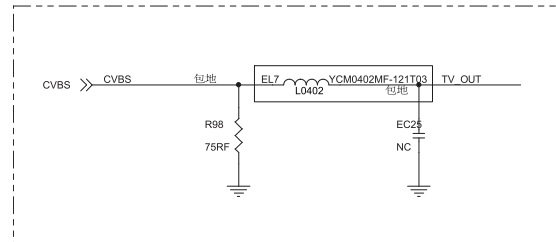
ZMPI-B



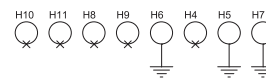
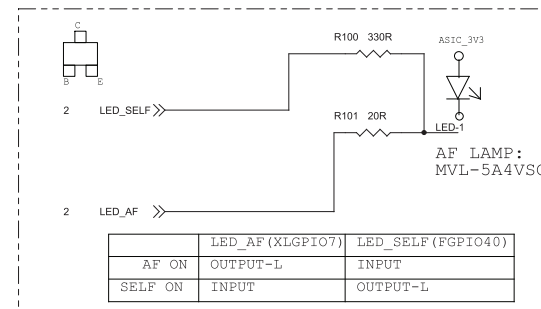
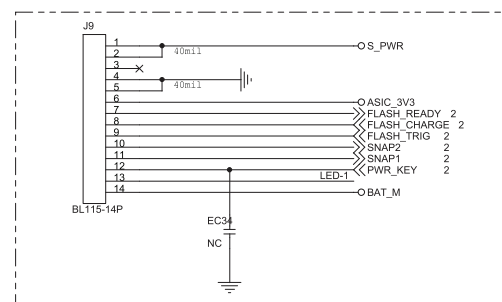
7.7. MAIN PCB-7



7.9. MAIN PCB-9



MAIN BD to STROBE BD



7.10. STROBO FPCB

